

25 20 10	70 50 40 35 30	80	100 95 90	200 180 150	280 250	300	350	360 420	650 600	850 800	1200 1000	2000 1600 1500	3200 3100 3000 2600 2500	4500 3700	5500	8000 7500 6800	STW 22mm	C	STW 22mm	
ø38-ø40 ø42 ø50 ø48	ø60 ø65 ø50	ø80	ø90 ø100	ø90 ø100														RN1-LN1 RN2 RN3 RN4		 N - Male keyed shaft D - Male spined shaft Q - Male square shaft FD - Drivewheel flange
B40x36	B58x53	B70x64	B80x74	B80x74														RD		
ø60 ø65 ø50	ø60 ø65	ø80	ø90															MN1 MN2-LN2 MN3 MXN1 MXN2		
	ø60 ø65																	MXD MD-LD		
B58x53	B58x53	B70x64	B80x74															TN1 TN2 TN3 TN4		
ø38 ø42 ø50 ø48	ø60 ø65 ø50	ø80	ø90 ø100	ø90 ø100	ø110	ø120												TD		
B40x36	B58x53	B70x64	B80x74	B80x74	B100x94	W120x3												HN1 HN2 XN1 XN2		
			ø90 ø100	ø110	ø120													XD HD		
			ø100															SN1 SN2 SBN1 SBN2		
			B100x94	B80x74	B100x94	W120x3												SBD SD		
						W120x3 W120x3	W120x3 W120x3	W150x5	W170x5	W170x5	W170x5	W200x5	W220x5	W280x8	W340x8	W340x8			SQ	
																			SFD	
ø38 ø42 ø50 ø48	ø60 ø65	ø80	ø90	ø90 ø100															PN1 PN2 PN3 PN4	
B40x36	B58x53	B70x64	B80x74	B80x74															PD	
			ø90 ø100	ø110	ø120														PHN1 PHN2 PXN1 PXN2	
			ø100																PSN1 PSN2 PSBN1 PSBN2	
			B80x74	B100x94	W120x3														PHD PXD PSD PSBD	
			B100x94																	
						W120x3 W120x3	W120x3 W120x3	W150x5	W170x5	W170x5	W200x5	W220x5	W280x8	W280x8						

25 20 10	70 50 40 35 30	80	100 95 90	200 180 150	280 250	300	350	360 420	650 600	850 800	1200 1000	2000 1600 1500	3200 3100 3000 2600 2500	4500 3700	5500	8000 7500 6800	STW 22mm	C	STW 22mm		
ø35	ø50	ø65	ø75																FC		
	ø65	ø80	ø90	ø100	ø110														FCB		
A40x36	A58x53	A70x64	A80x74																F		
	A58x53																		FP		
A40x36	A58x53	A70x64	A80x74	A80x74	A100x94	N120x5	N120x3		N150x5	N170x5	N200x5	N210x5	N240x5	N280x8	N300x8	N340x8			FS		
									N140x5										FSB		
									N120x3	N140x5	N150x5	N170x5	N200x5	N210x5	N240x5	N280x8	N300x8	N340x8		FSR	
		A70x64	A70x74																FB		
ø50	ø75	ø90	ø100	ø120															FU		
			ø120	ø130	ø135														TU		
			ø120	ø130	ø135														HU		
						ø145	ø145	ø165	ø180	ø220	ø240	ø260	ø290	ø310	ø350				SU		

N - Male keyed shaft
 D - Male spined shaft
 Q - Male square shaft
 FD - Drivewheel flange

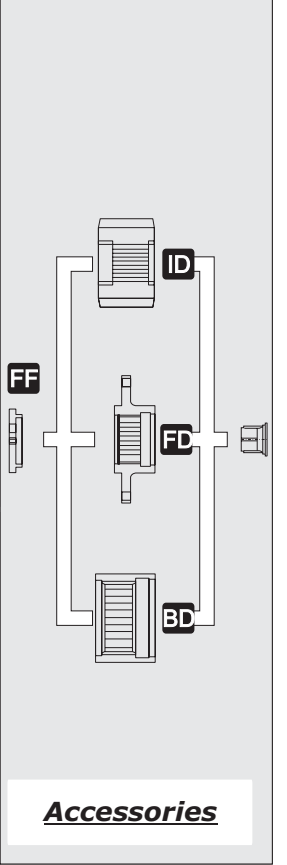
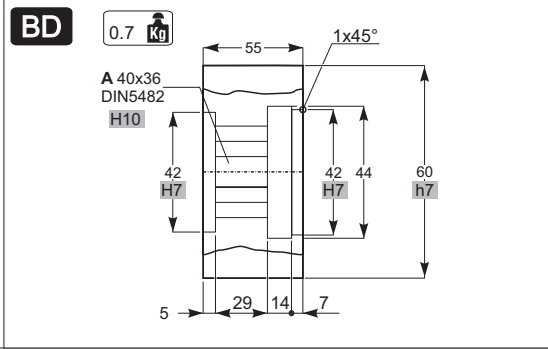
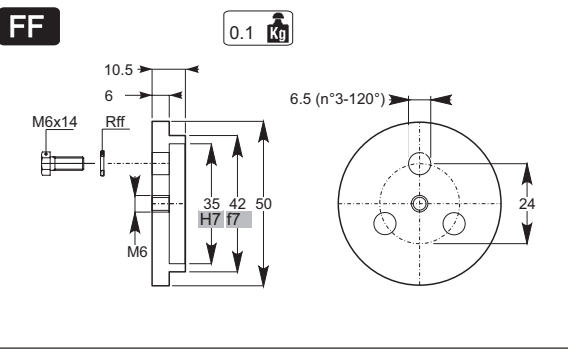
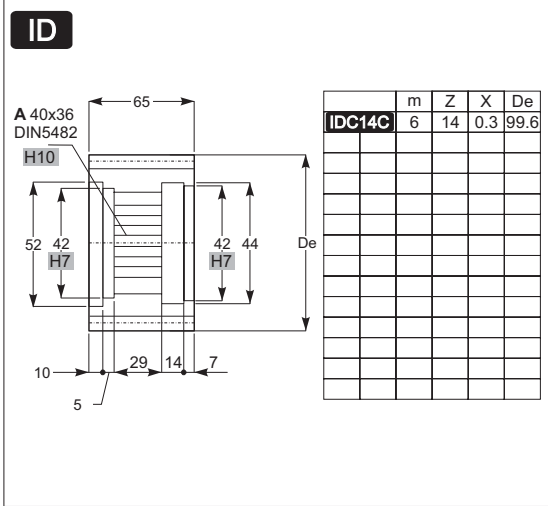
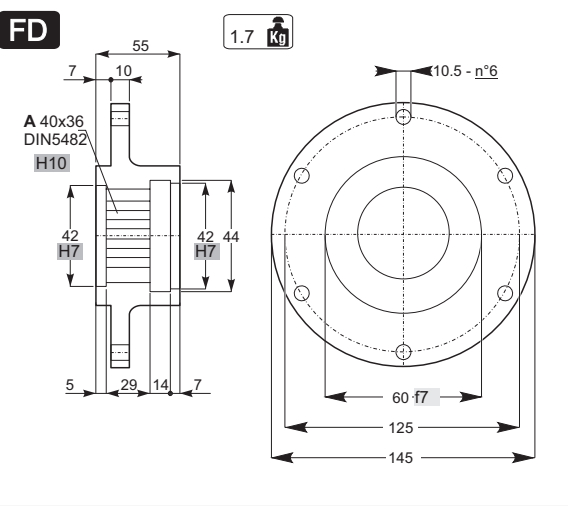
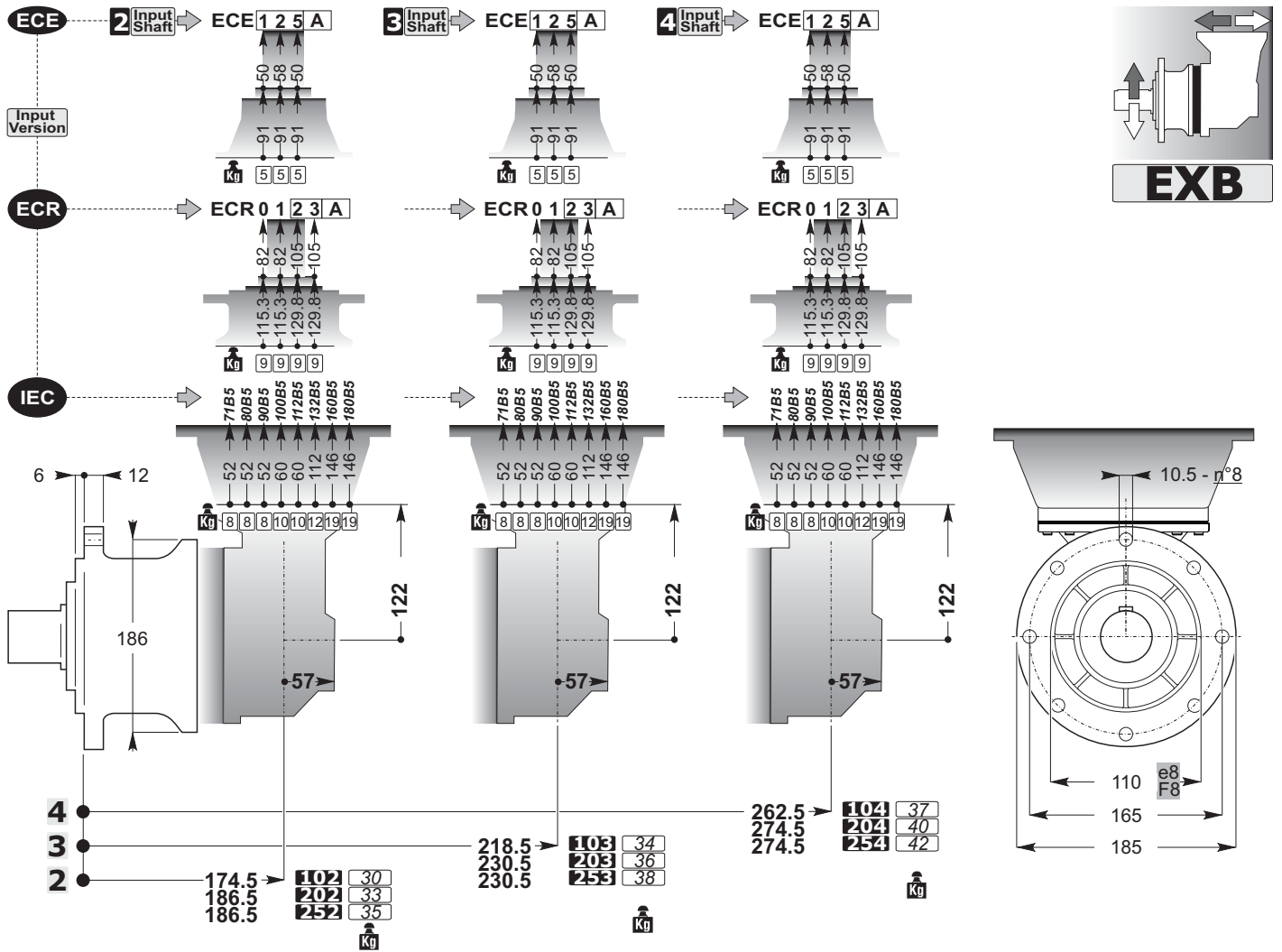
N - Male keyed shaft
 D - Male spined shaft

C - keyed shaft

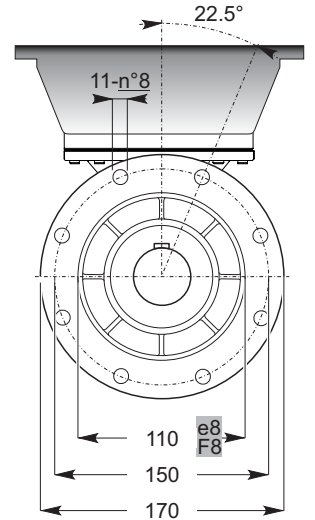
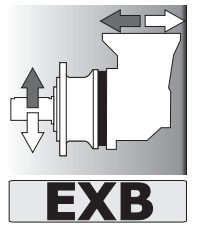
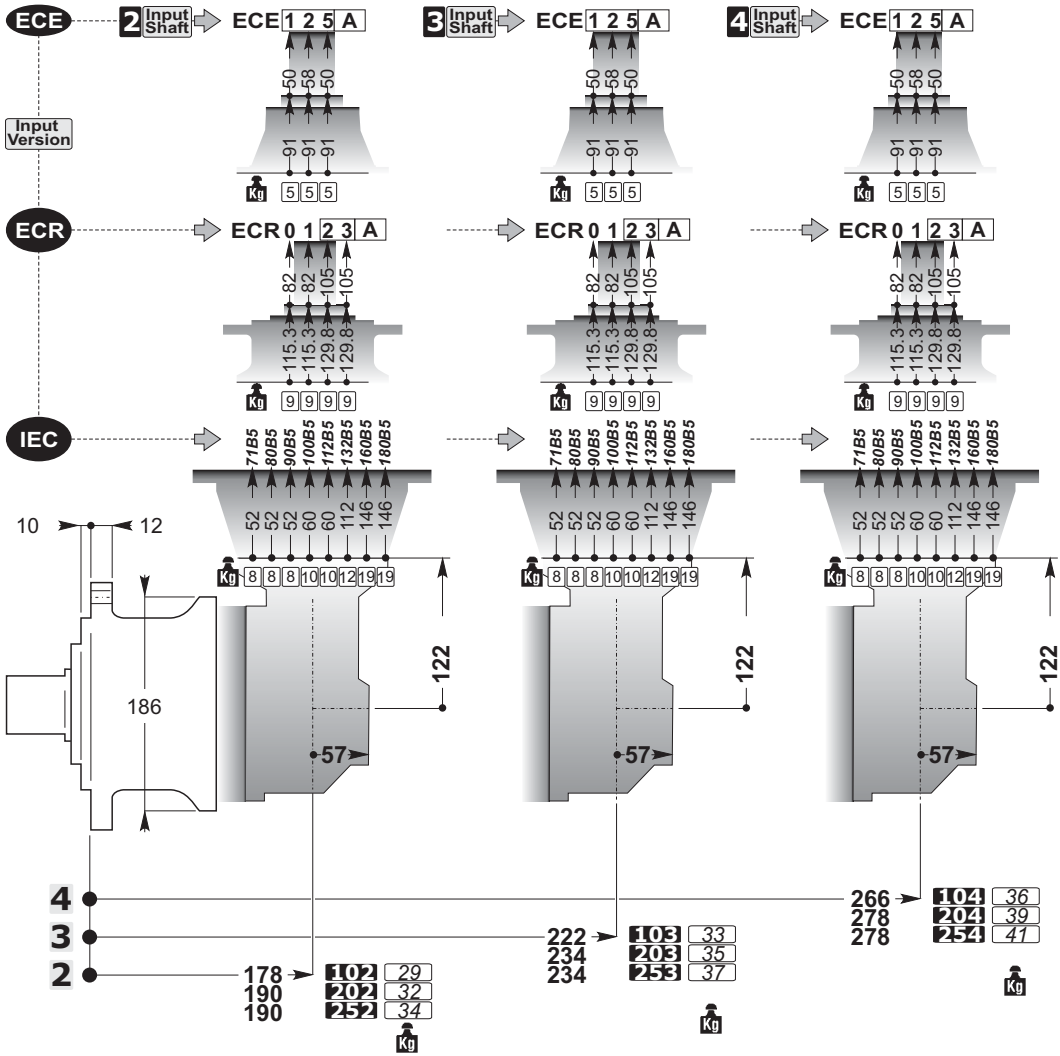
(CD) - Spined shaft

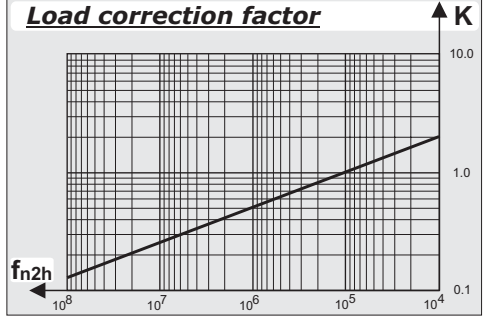
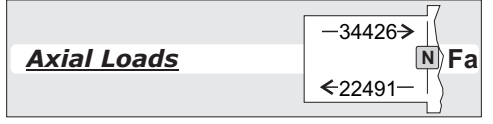
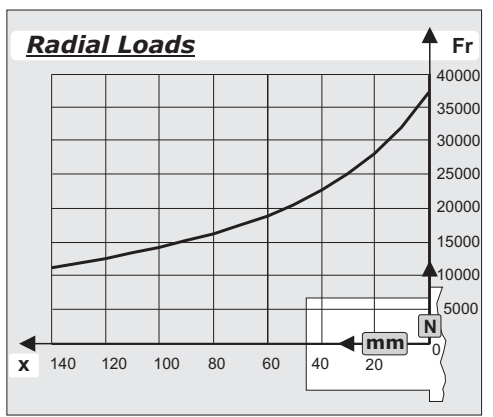
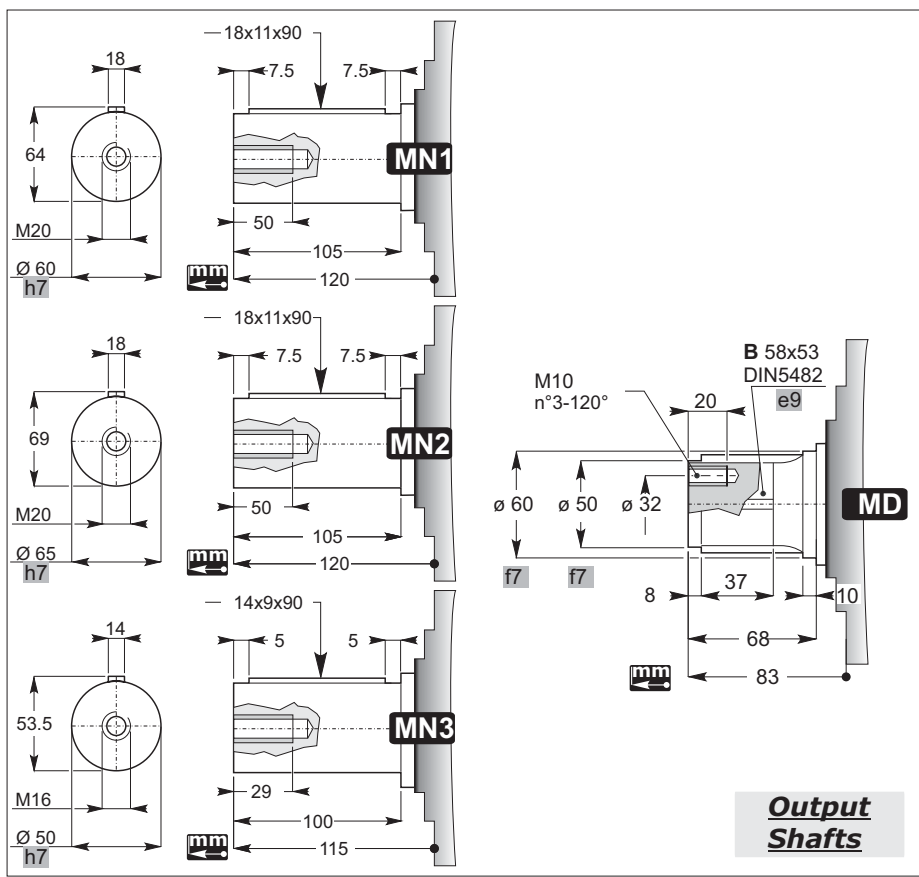
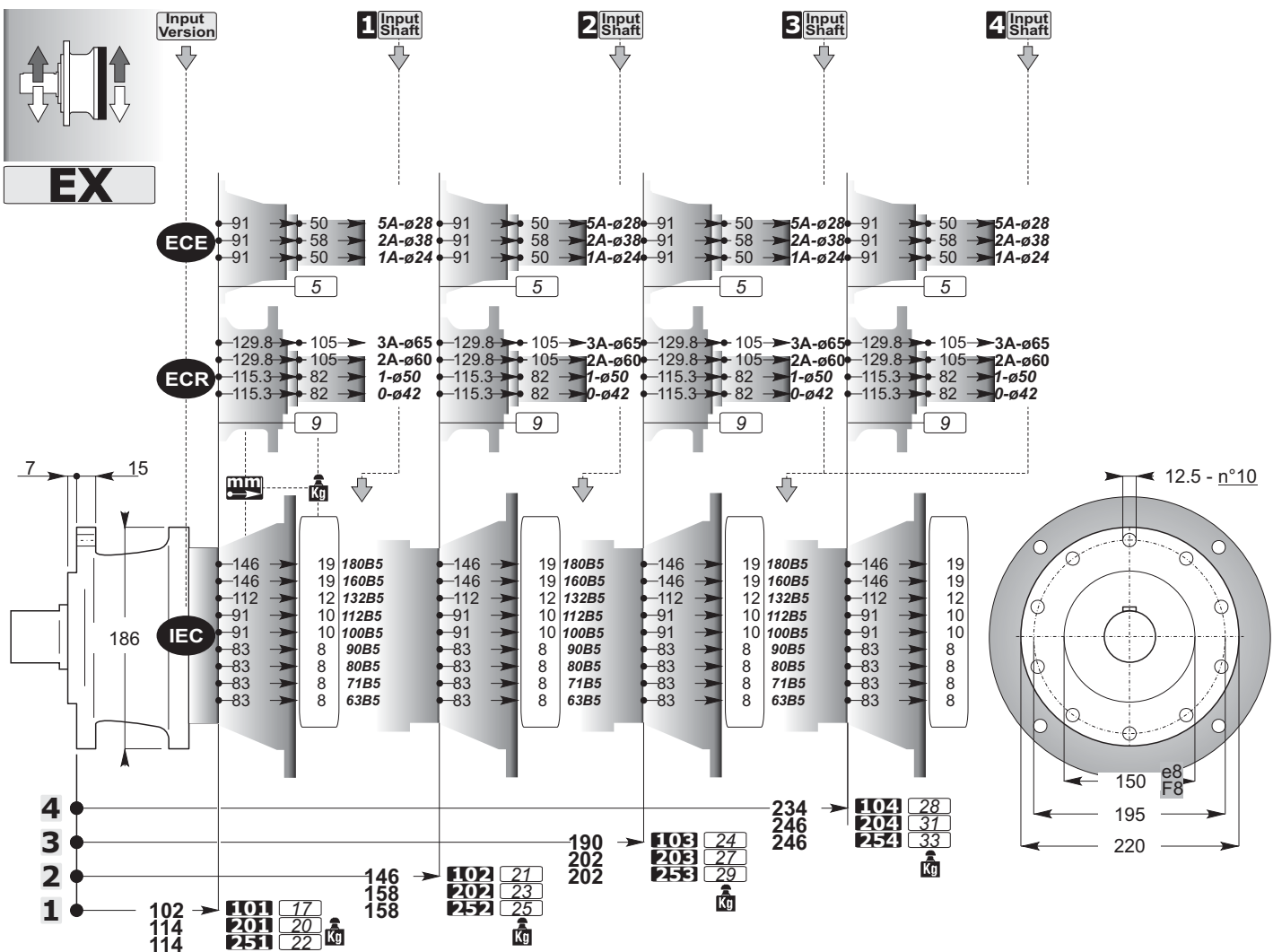
U - Shrink disc

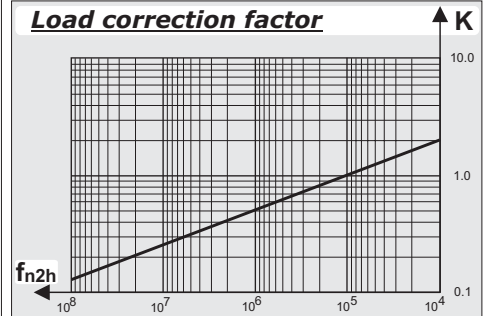
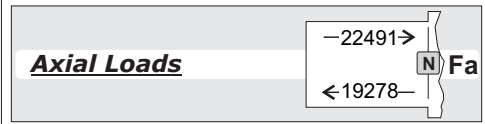
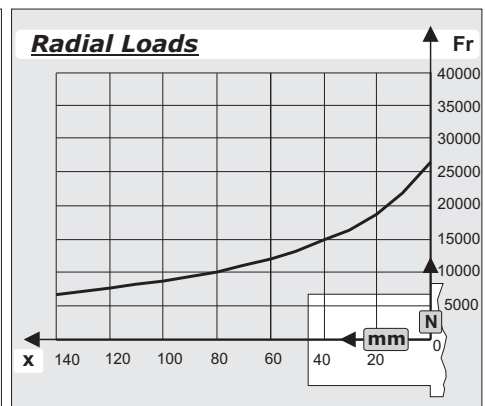
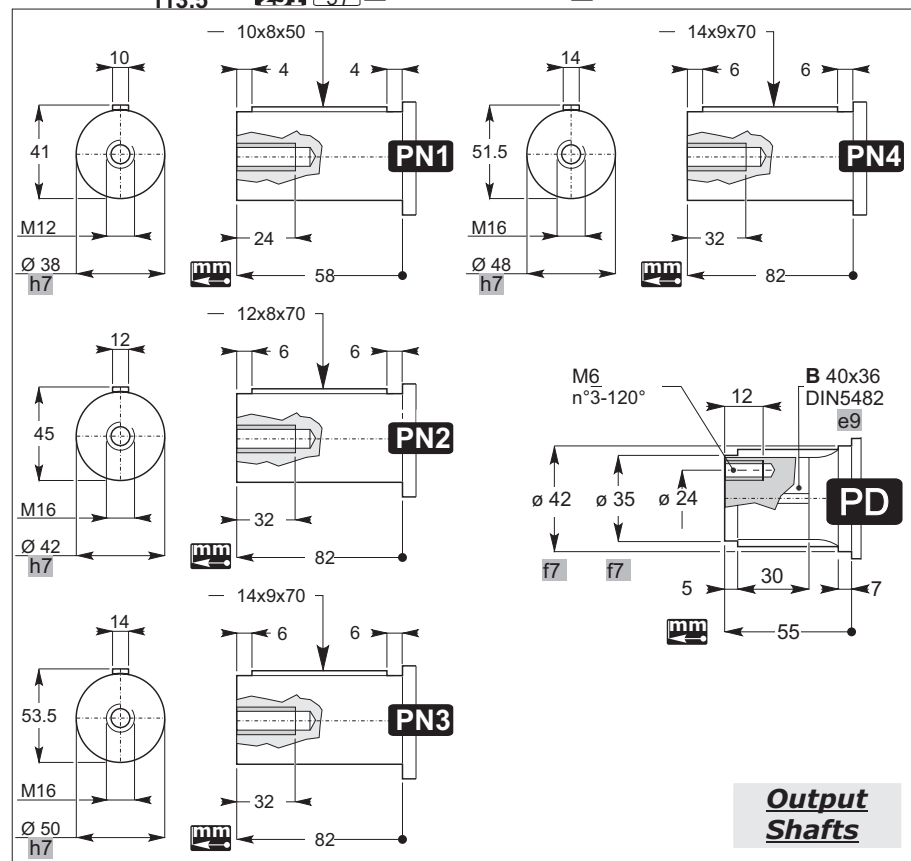
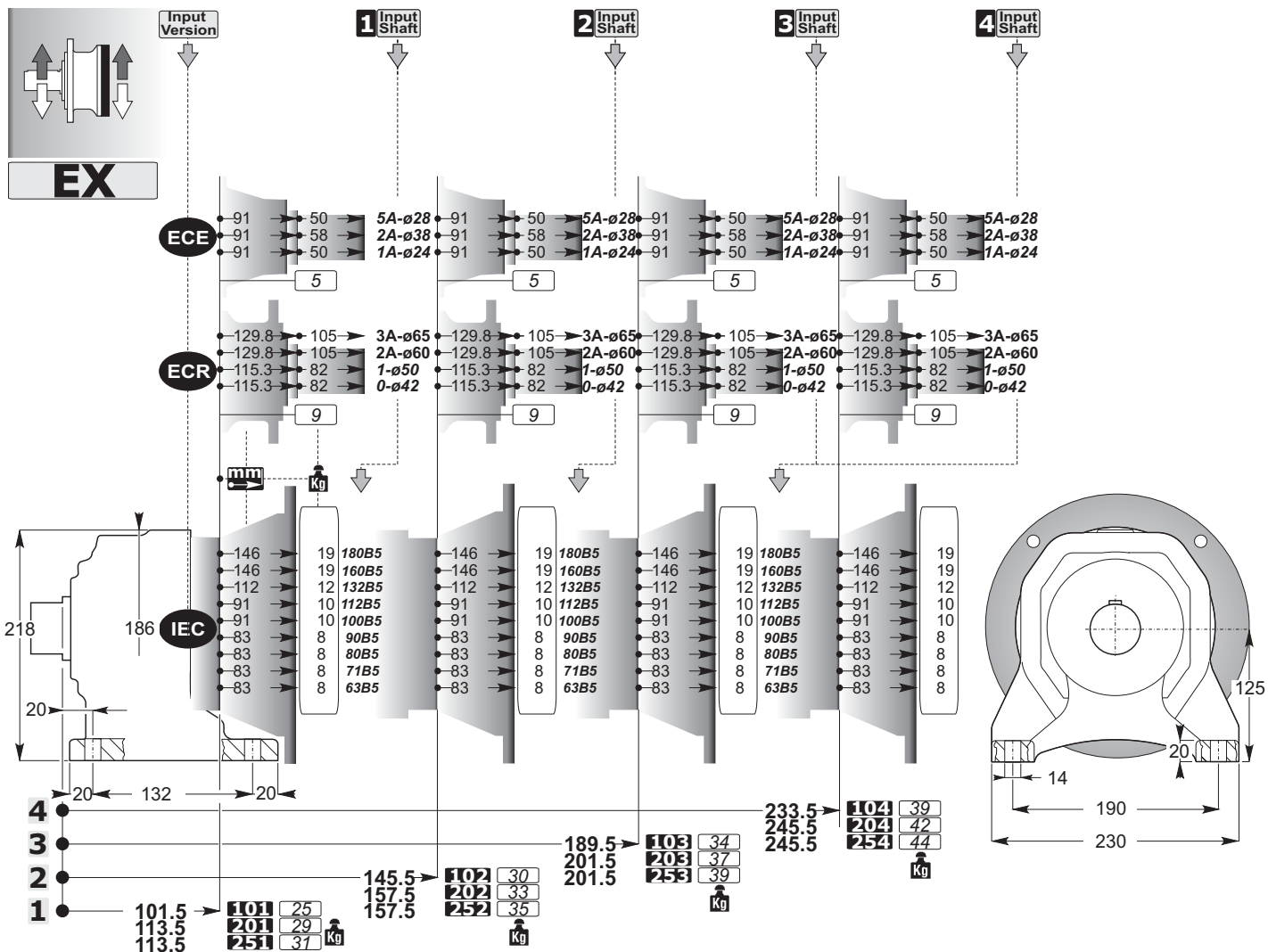


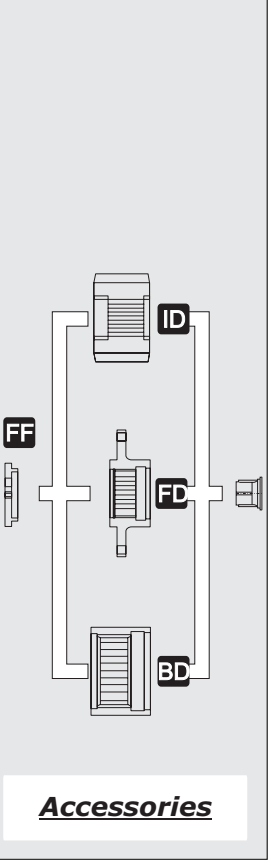
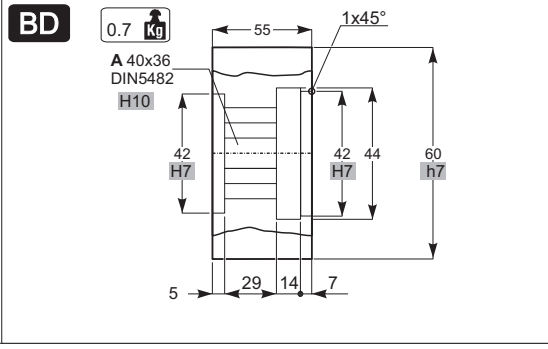
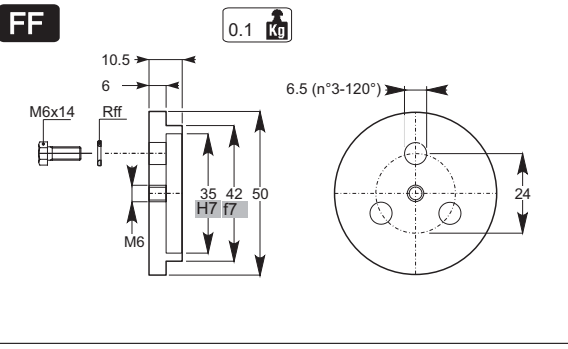
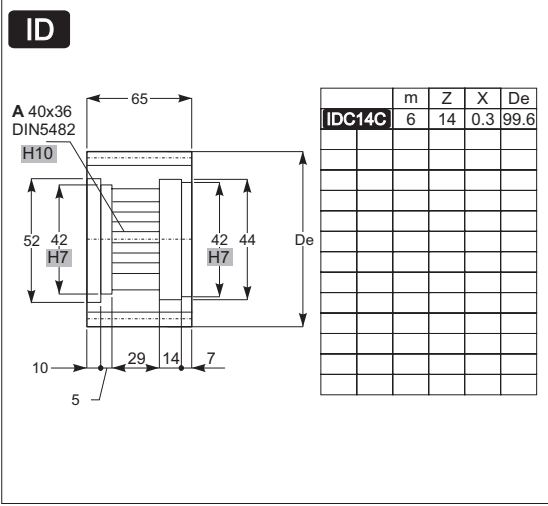
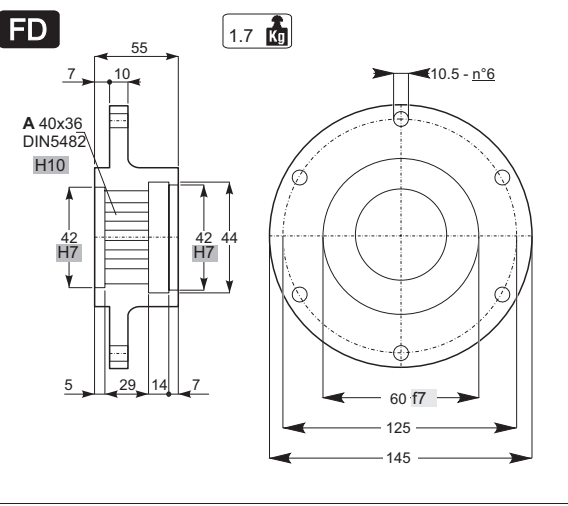
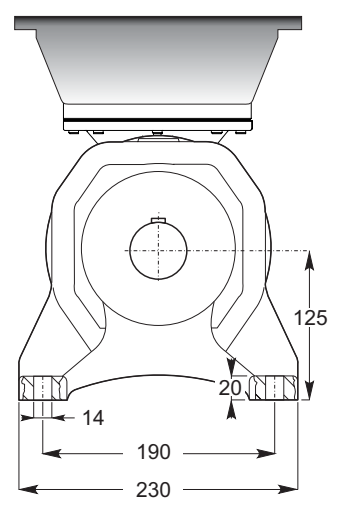
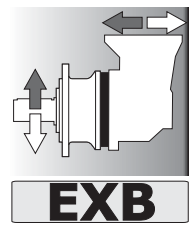
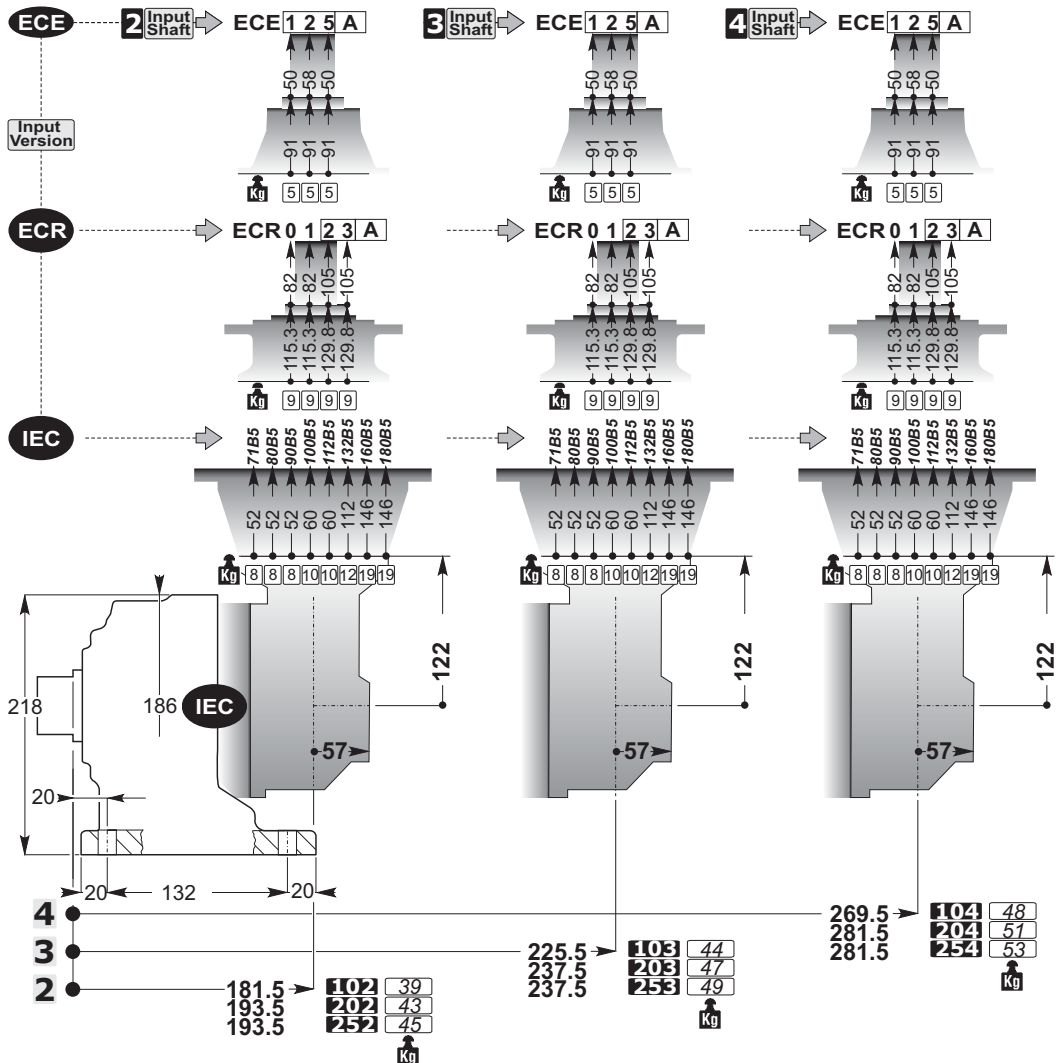


mm
C



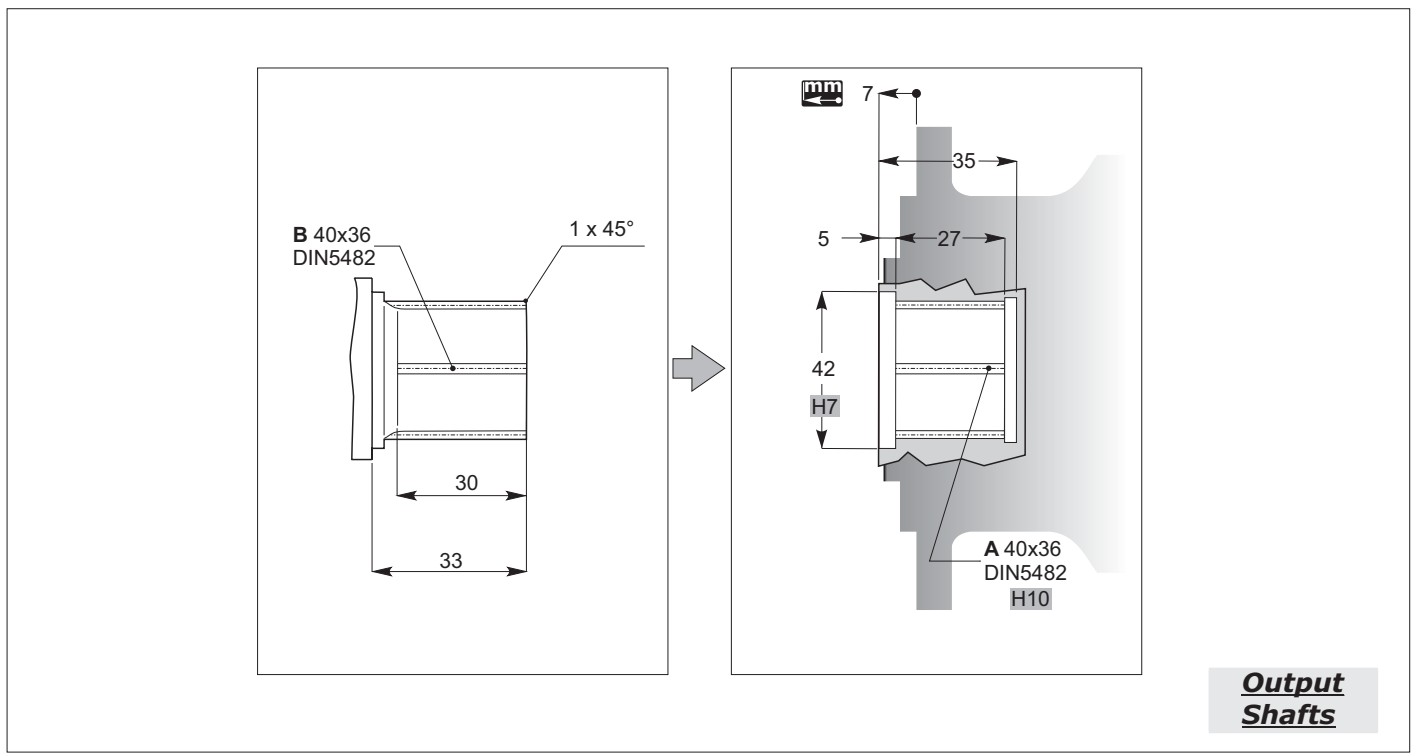
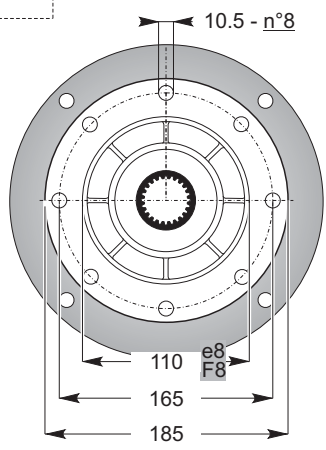
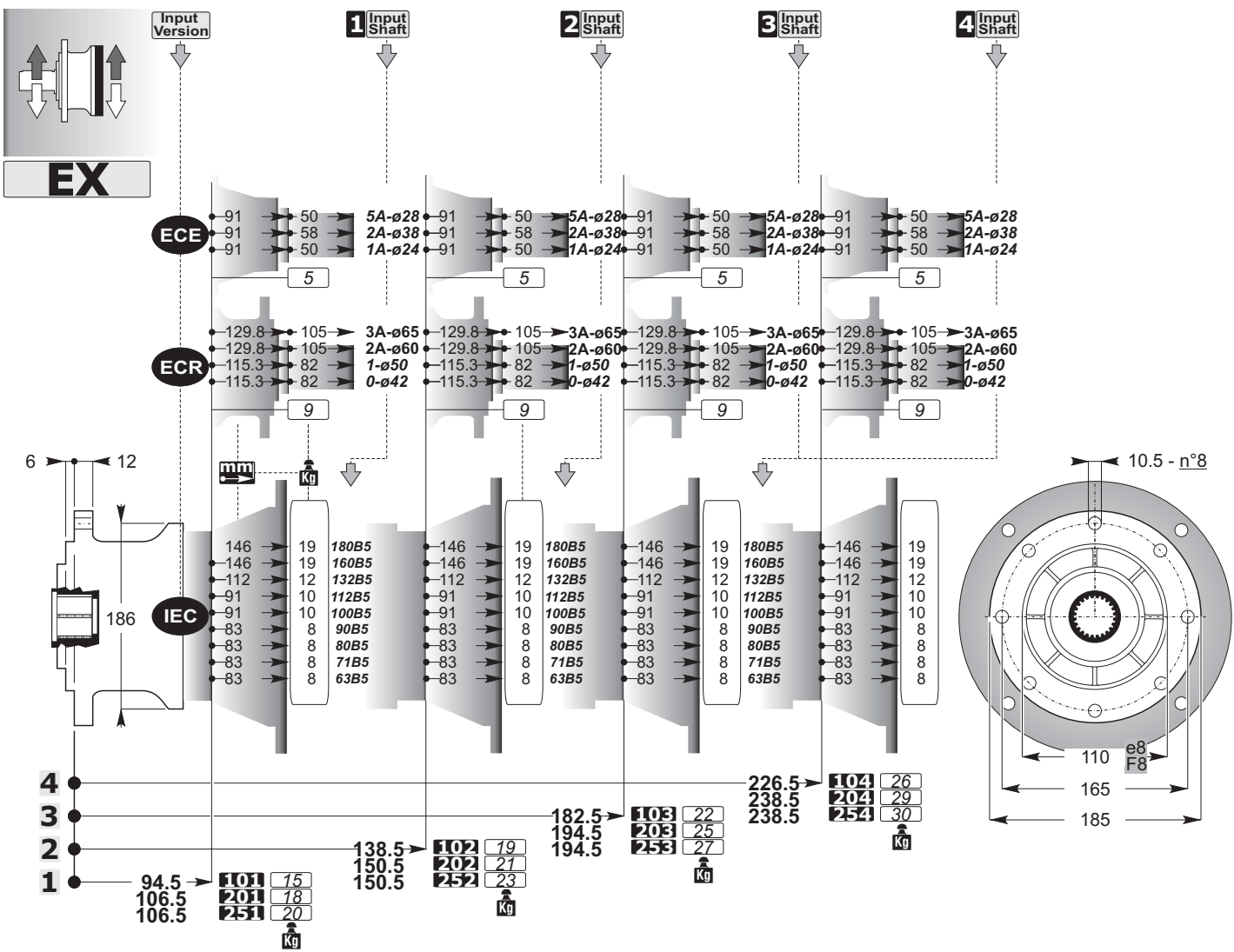


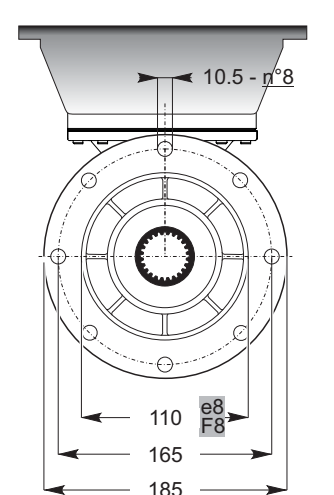
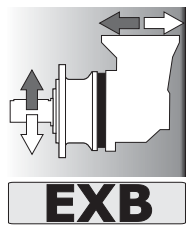
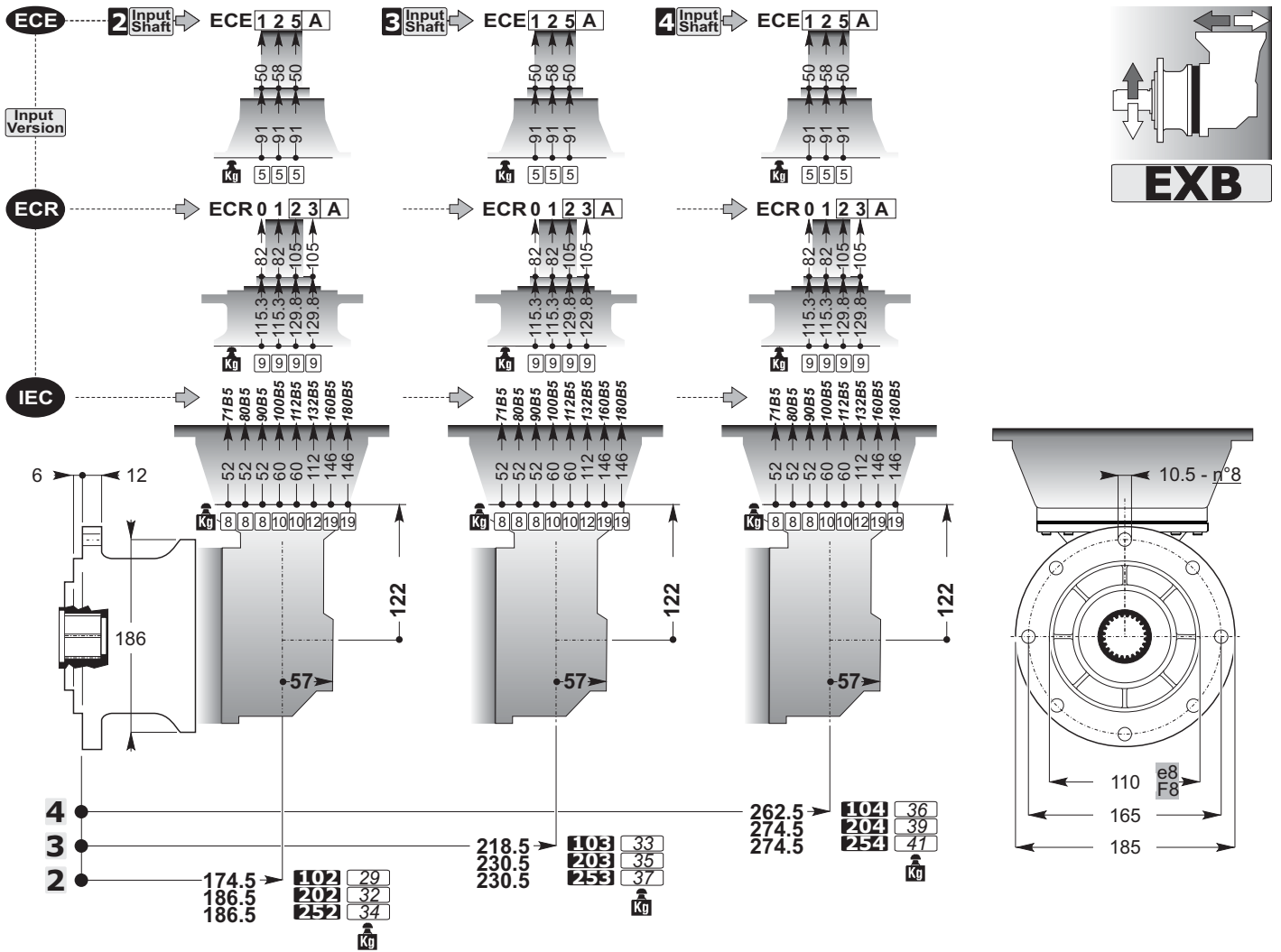




Accessories







SD

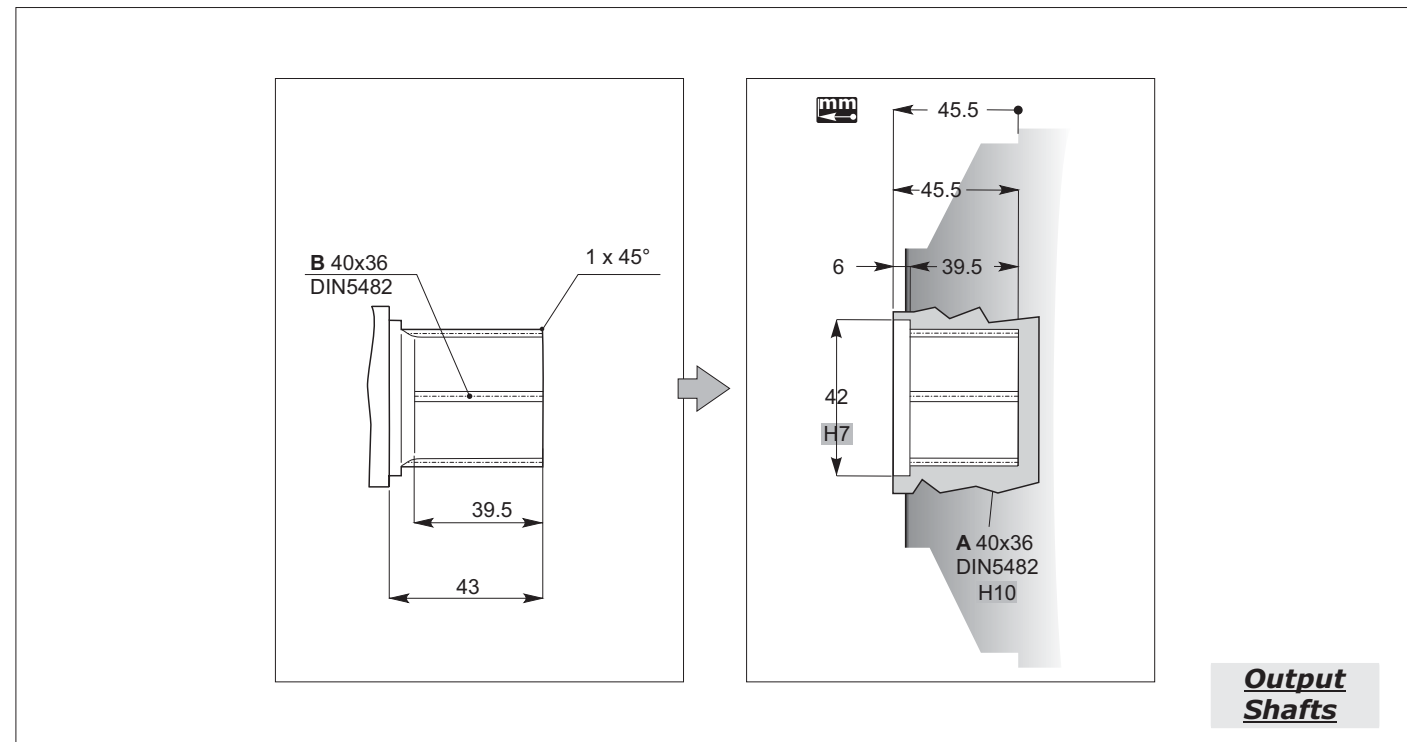
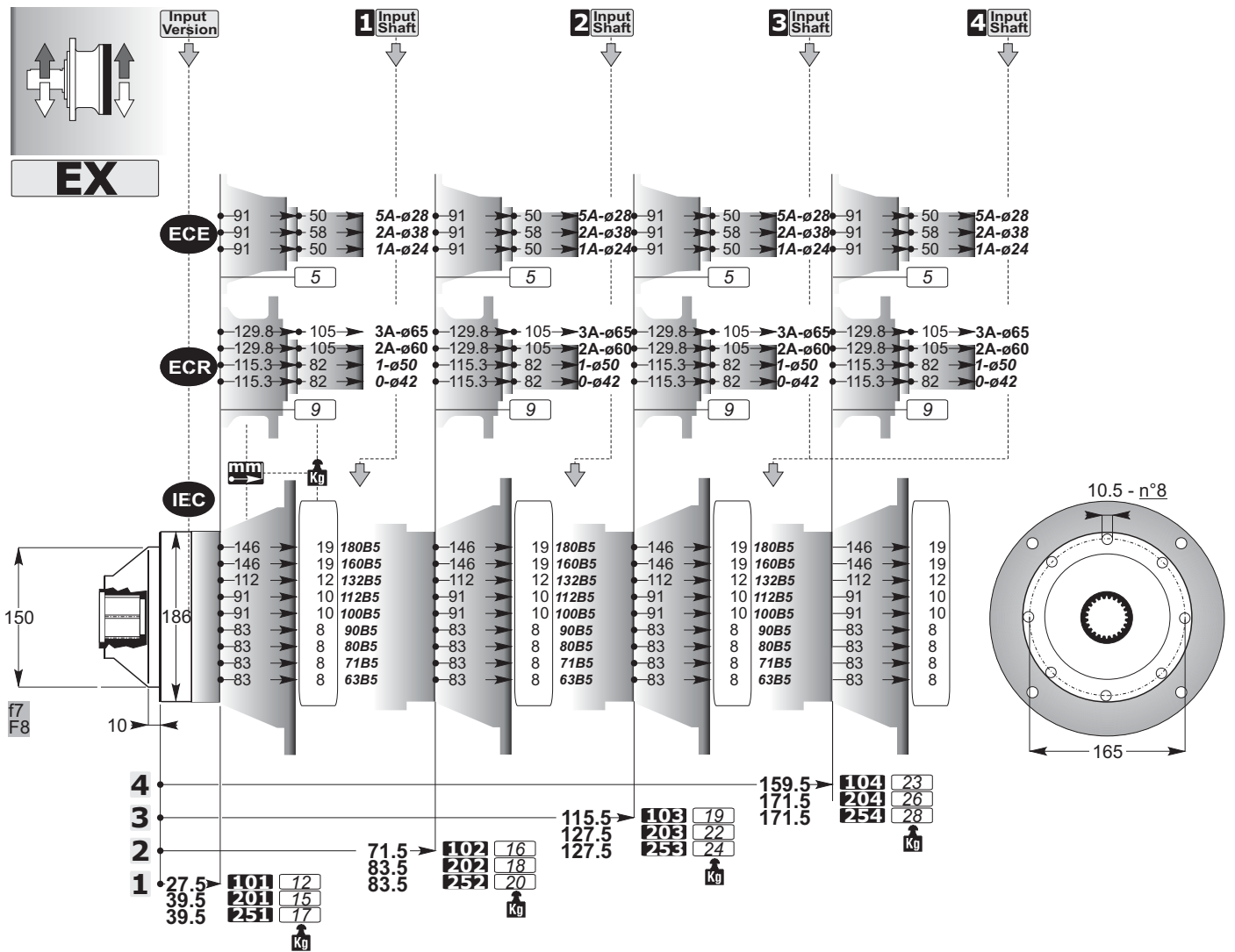
B 40x36
DIN5482

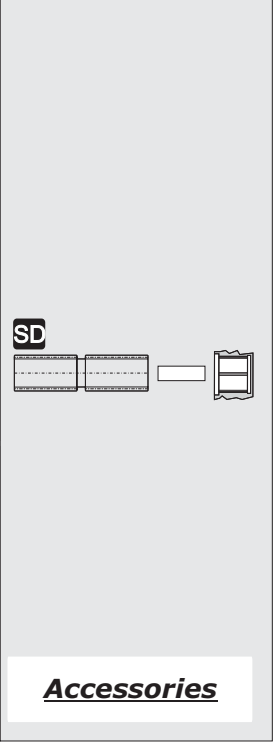
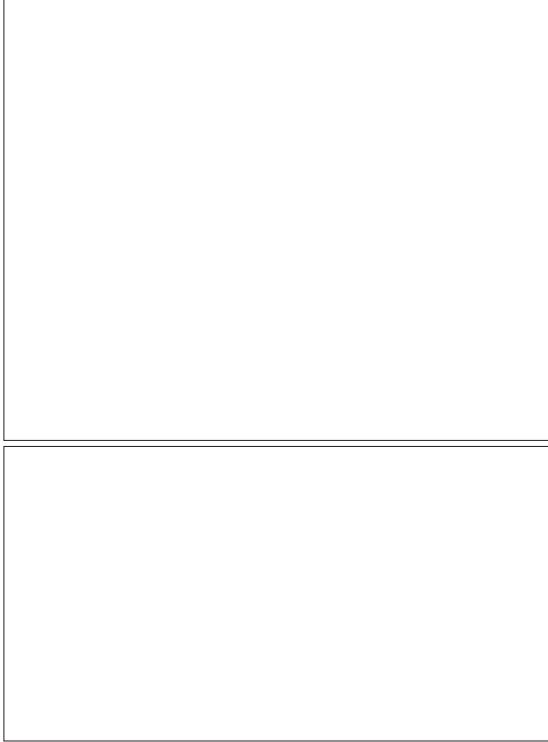
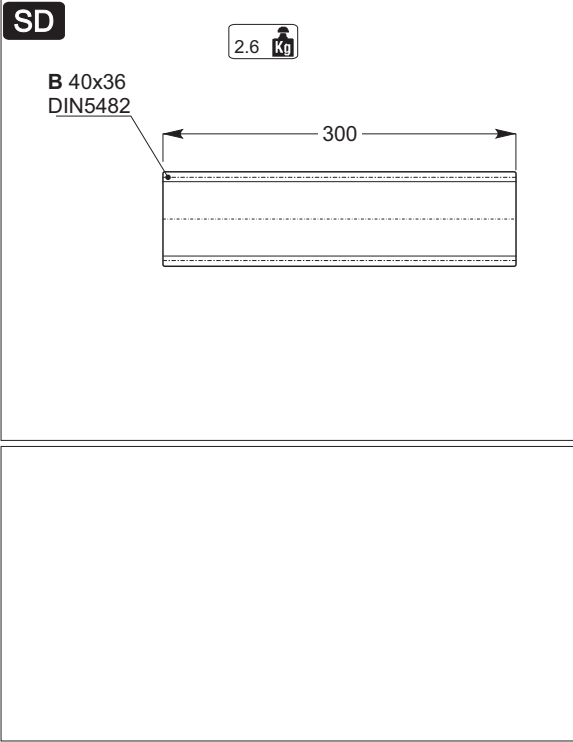
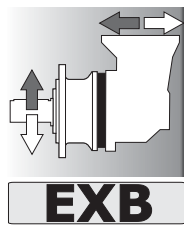
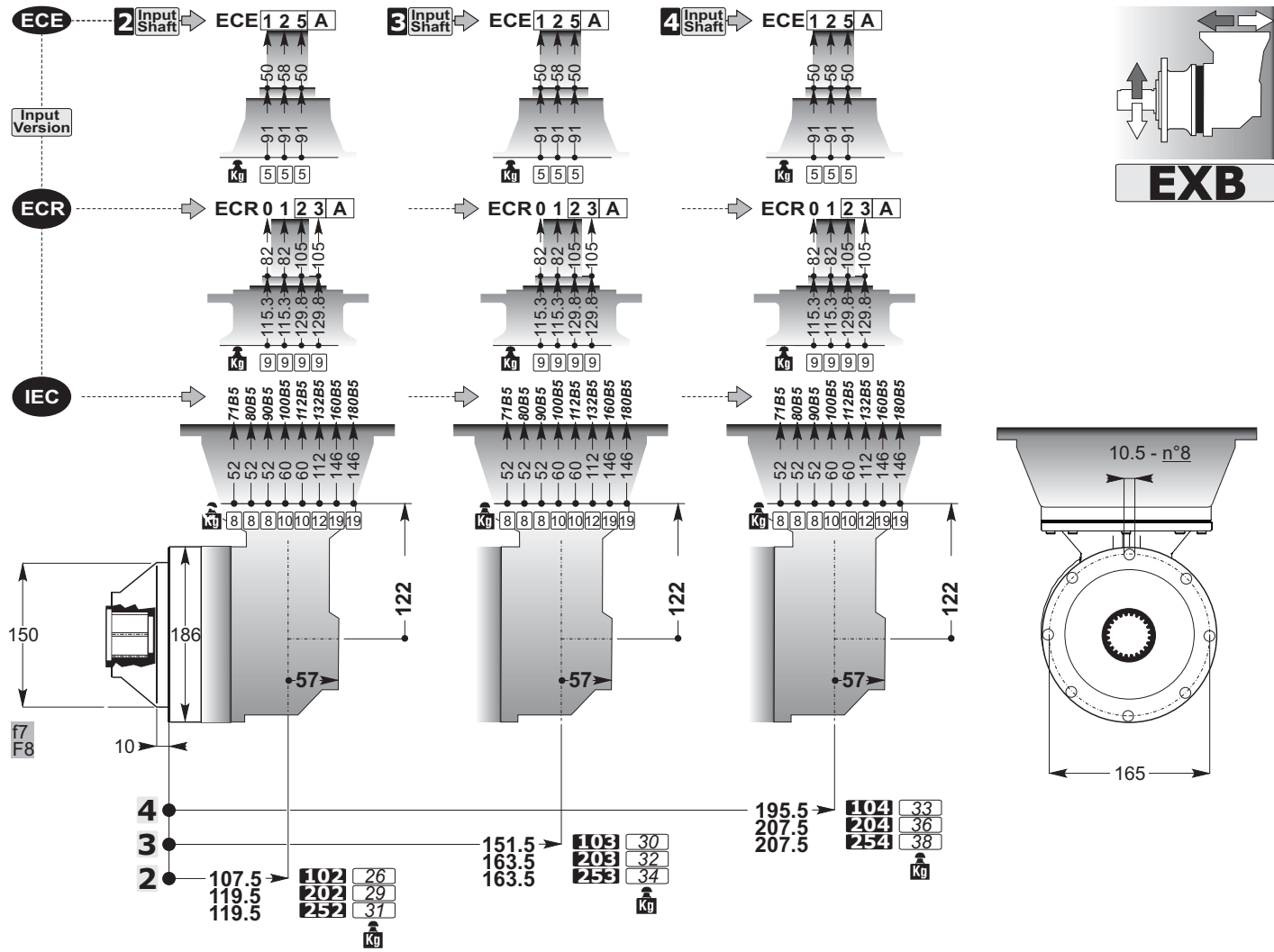
2.6 Kg

300

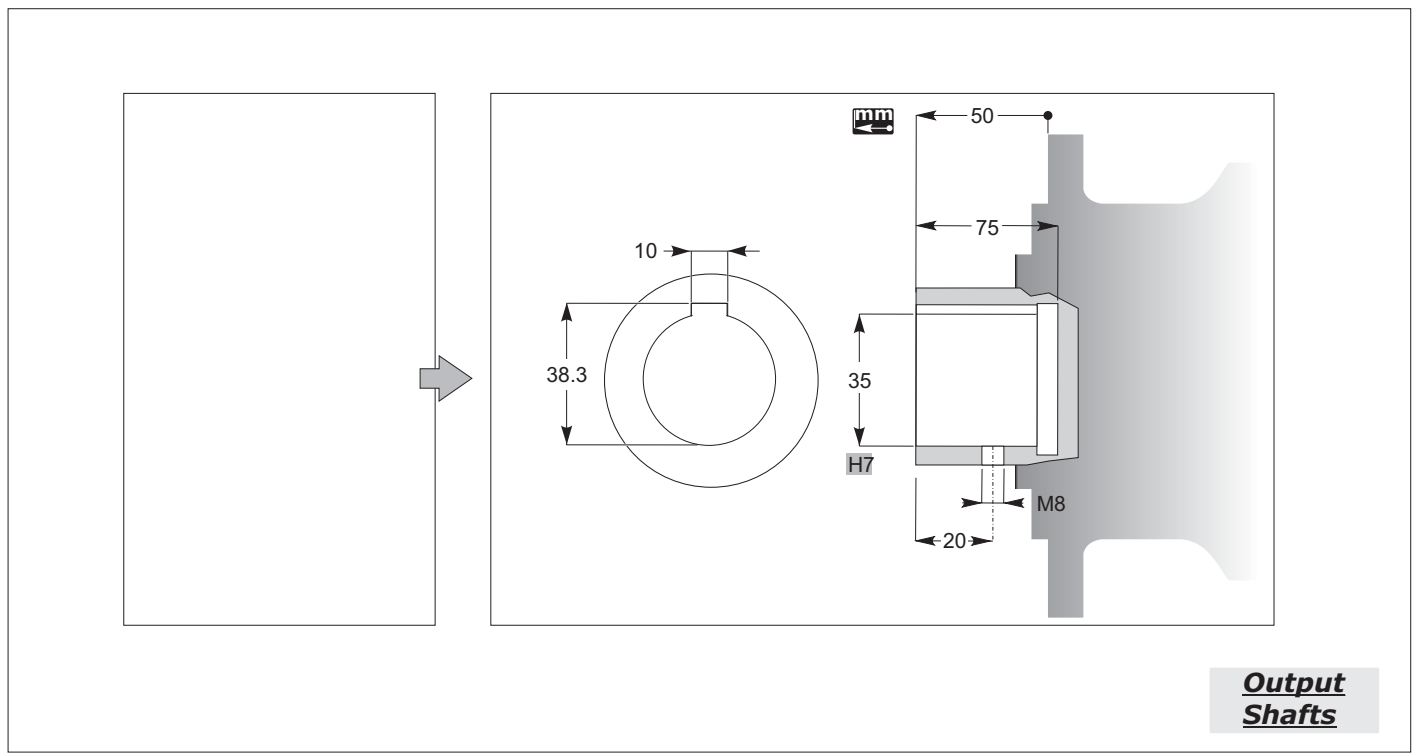
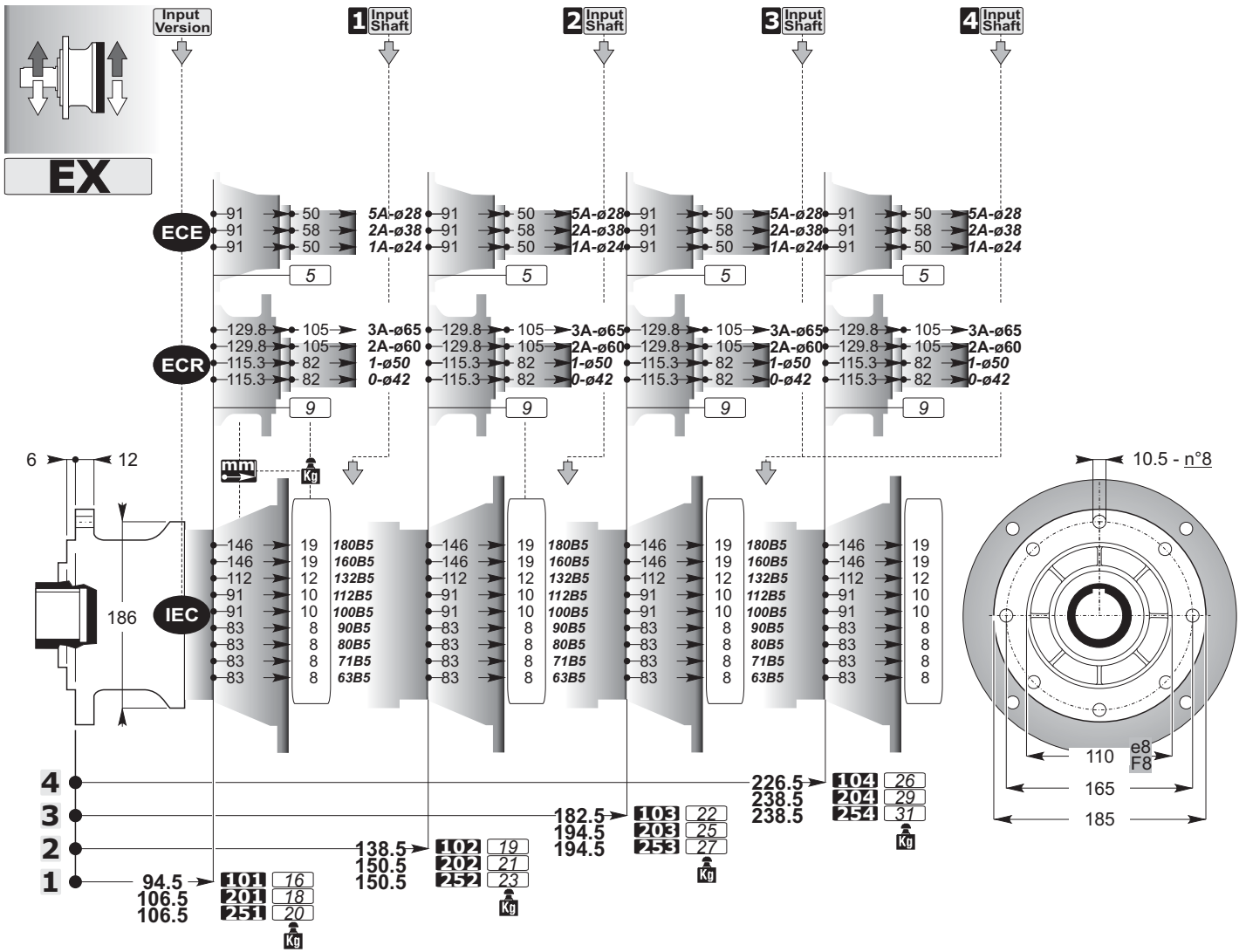
SD

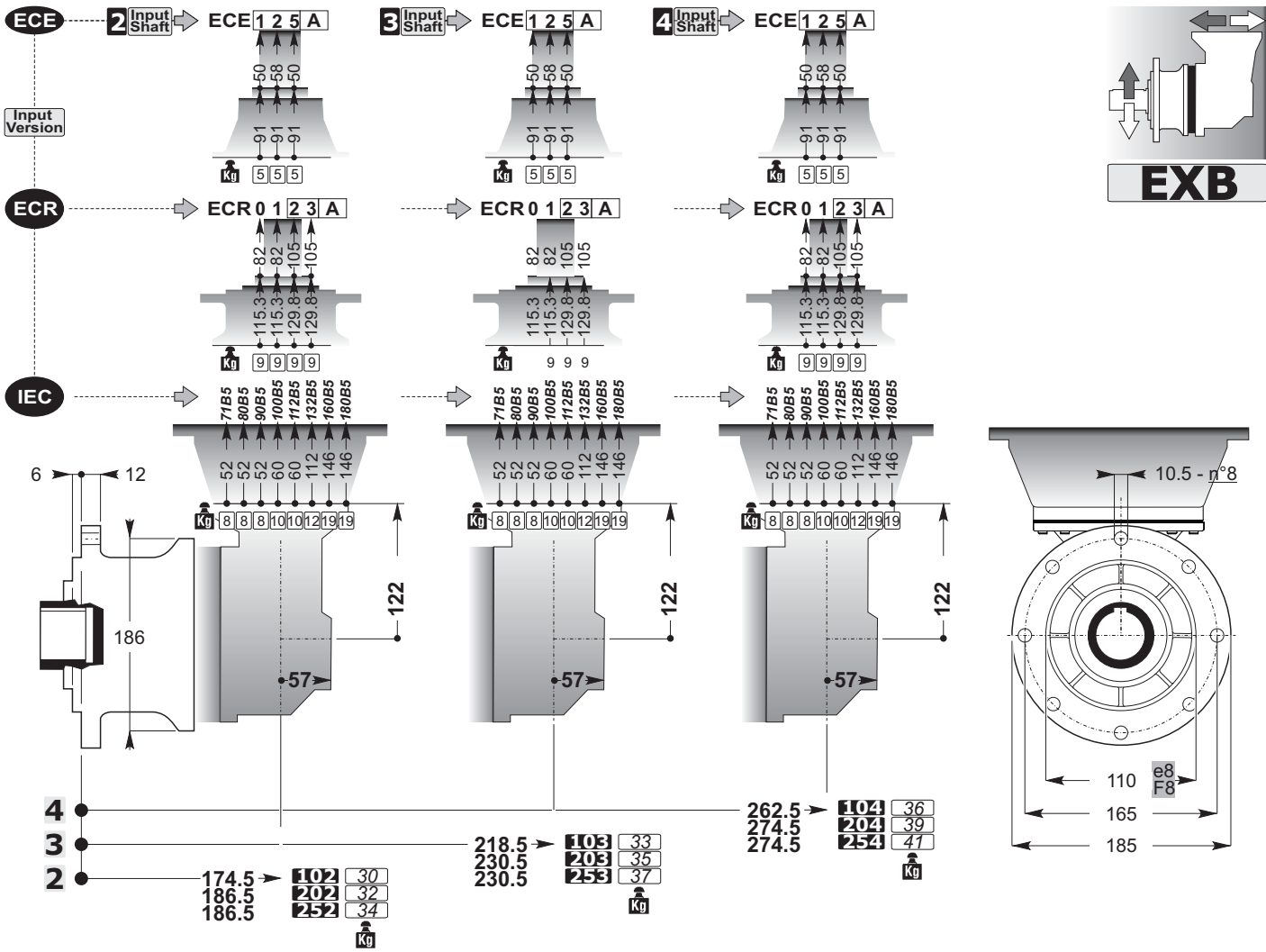
Accessories

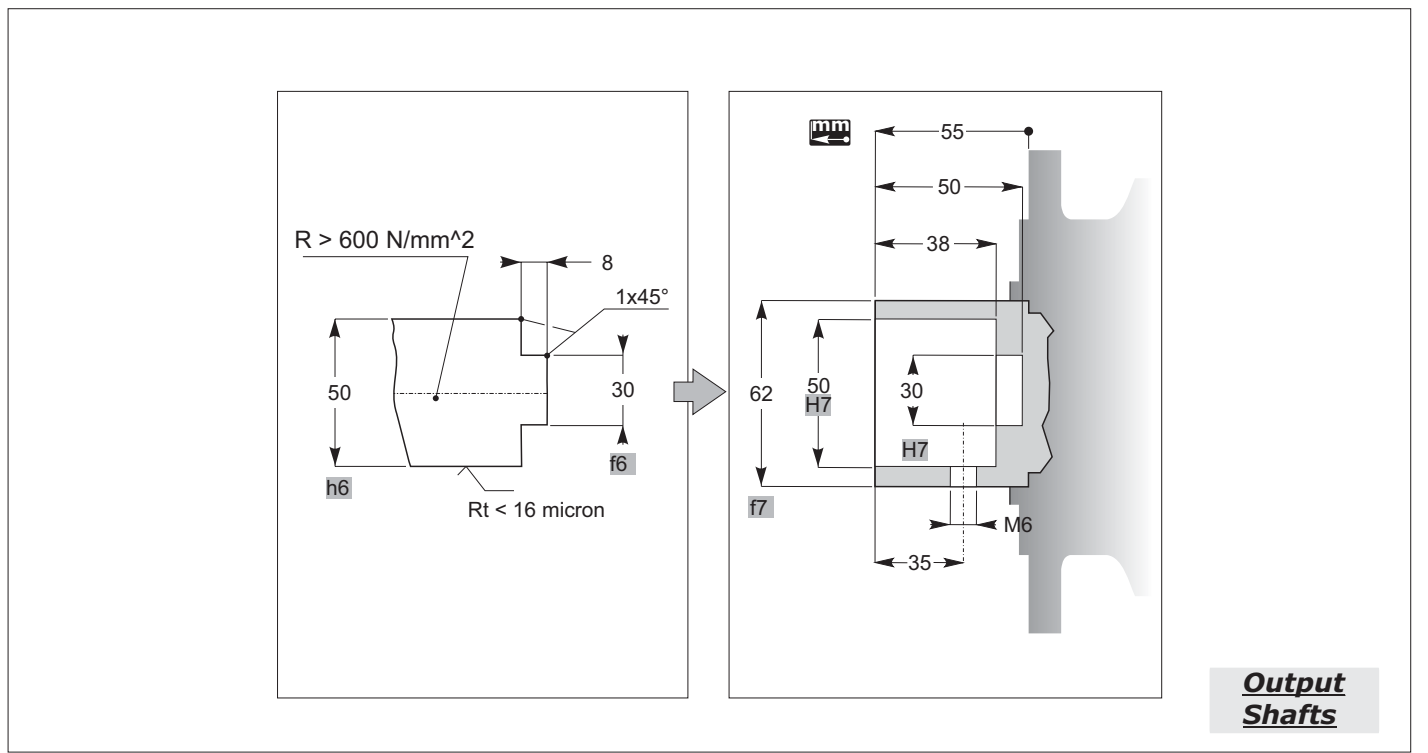
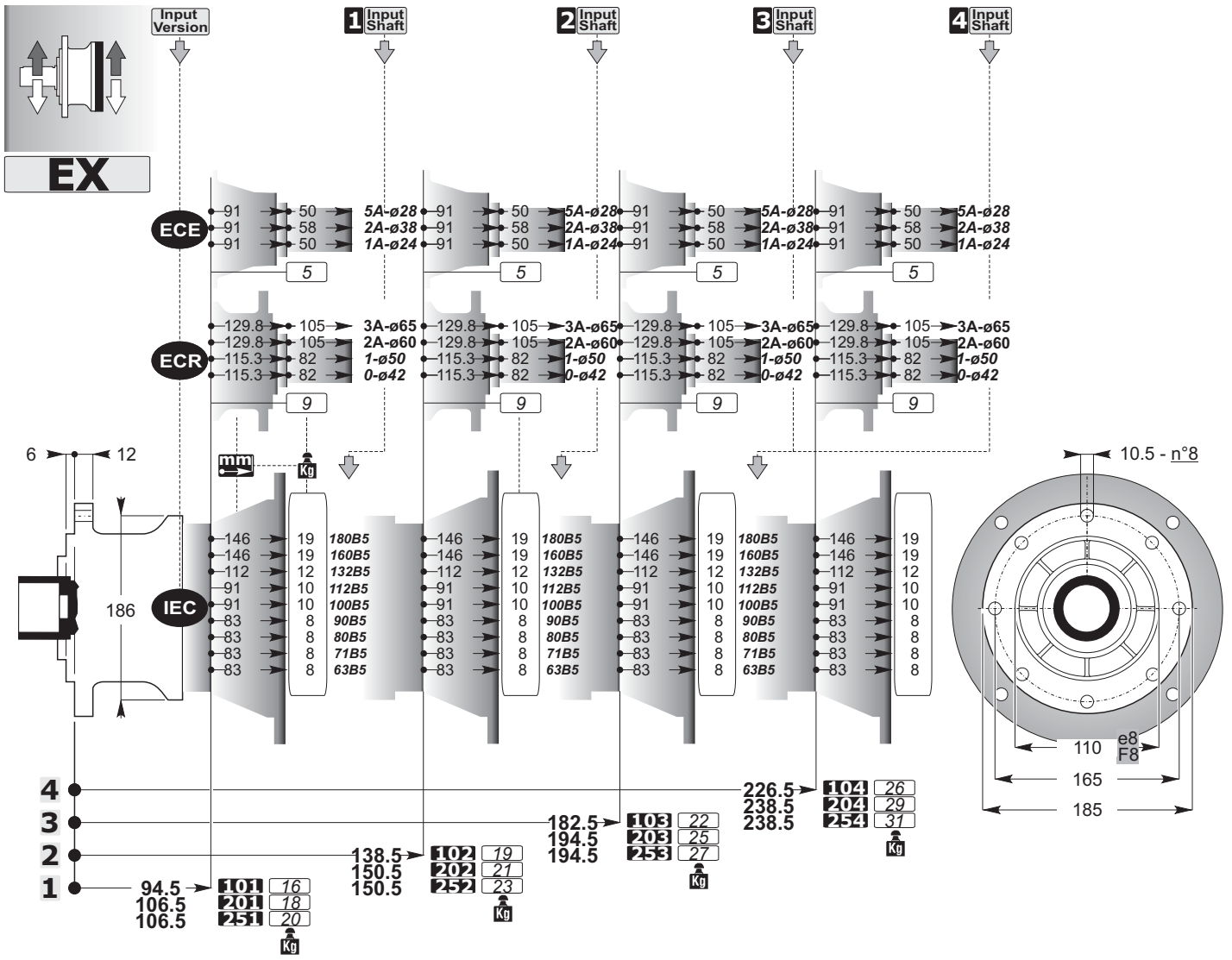


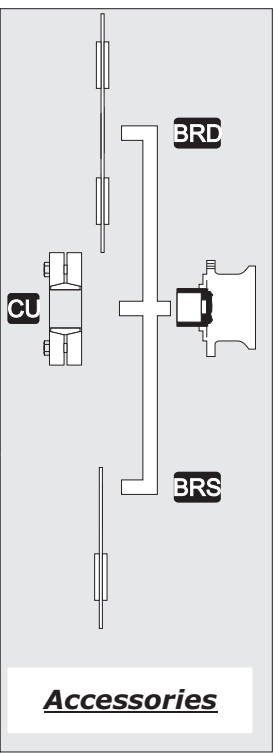
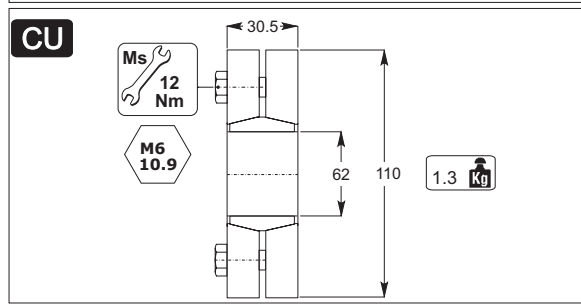
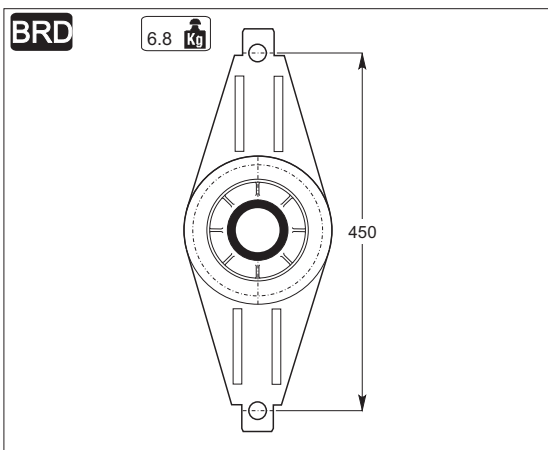
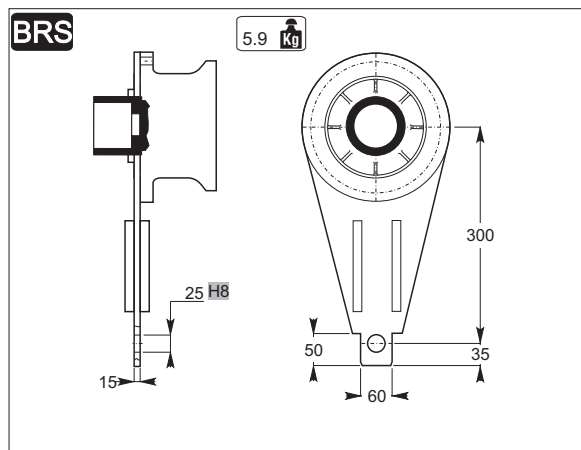
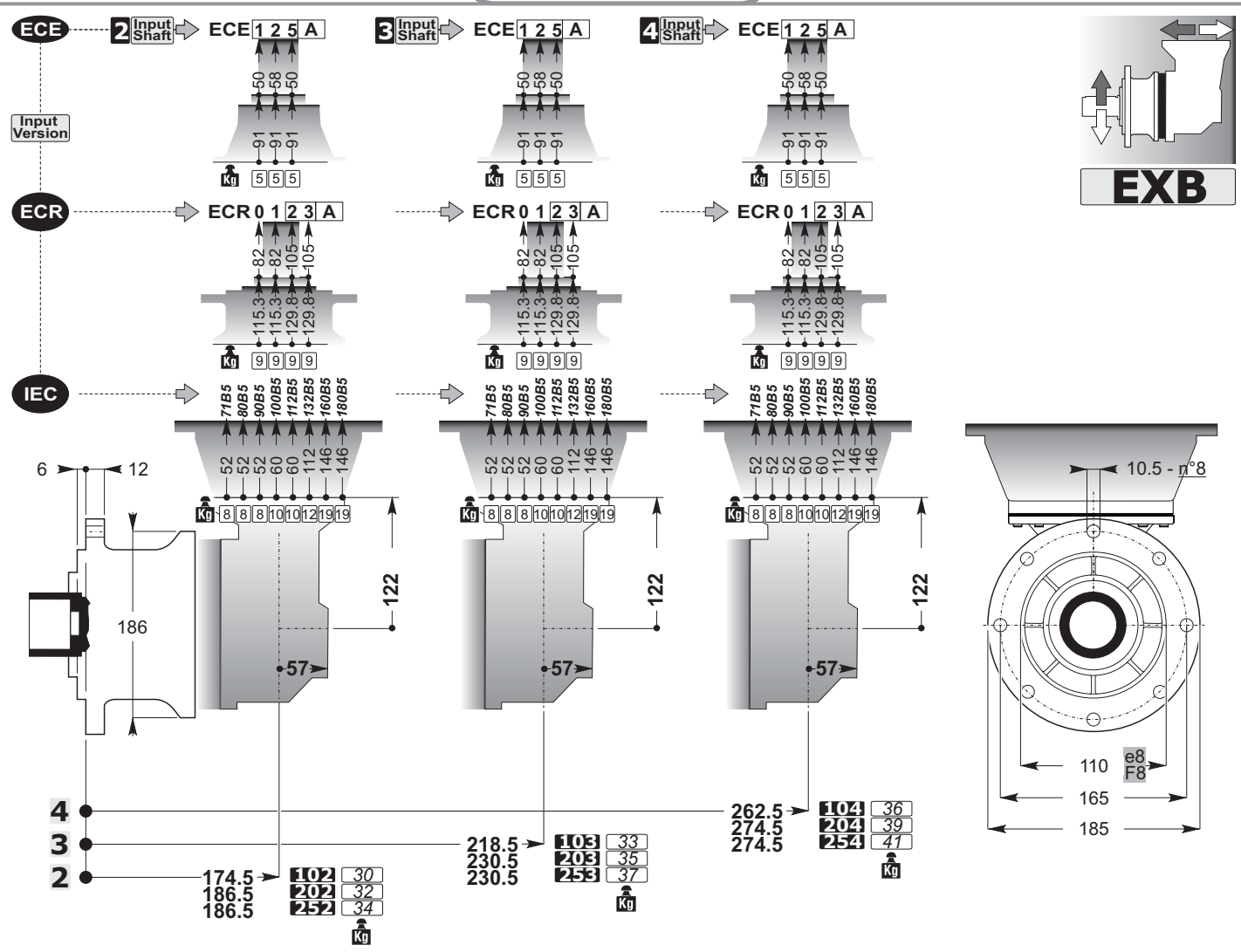


mm
C









mm
C