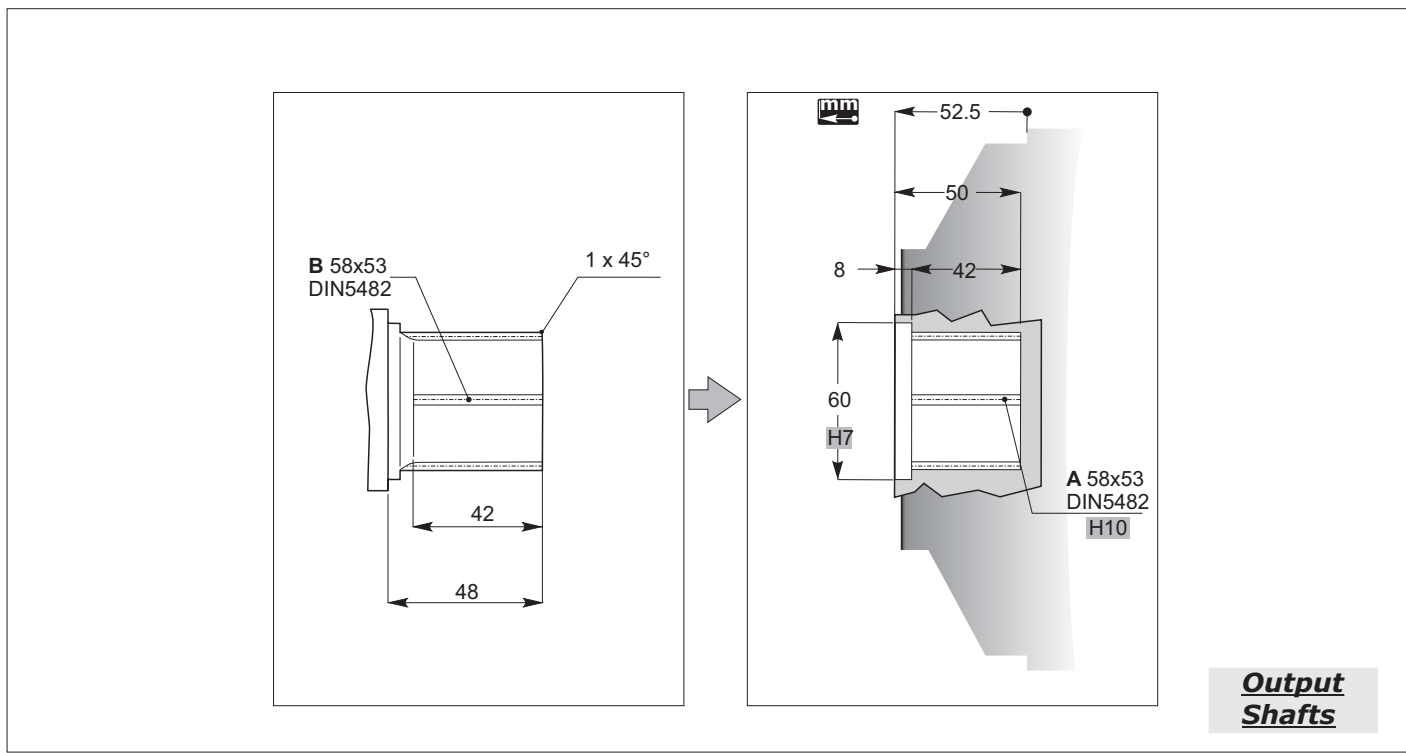
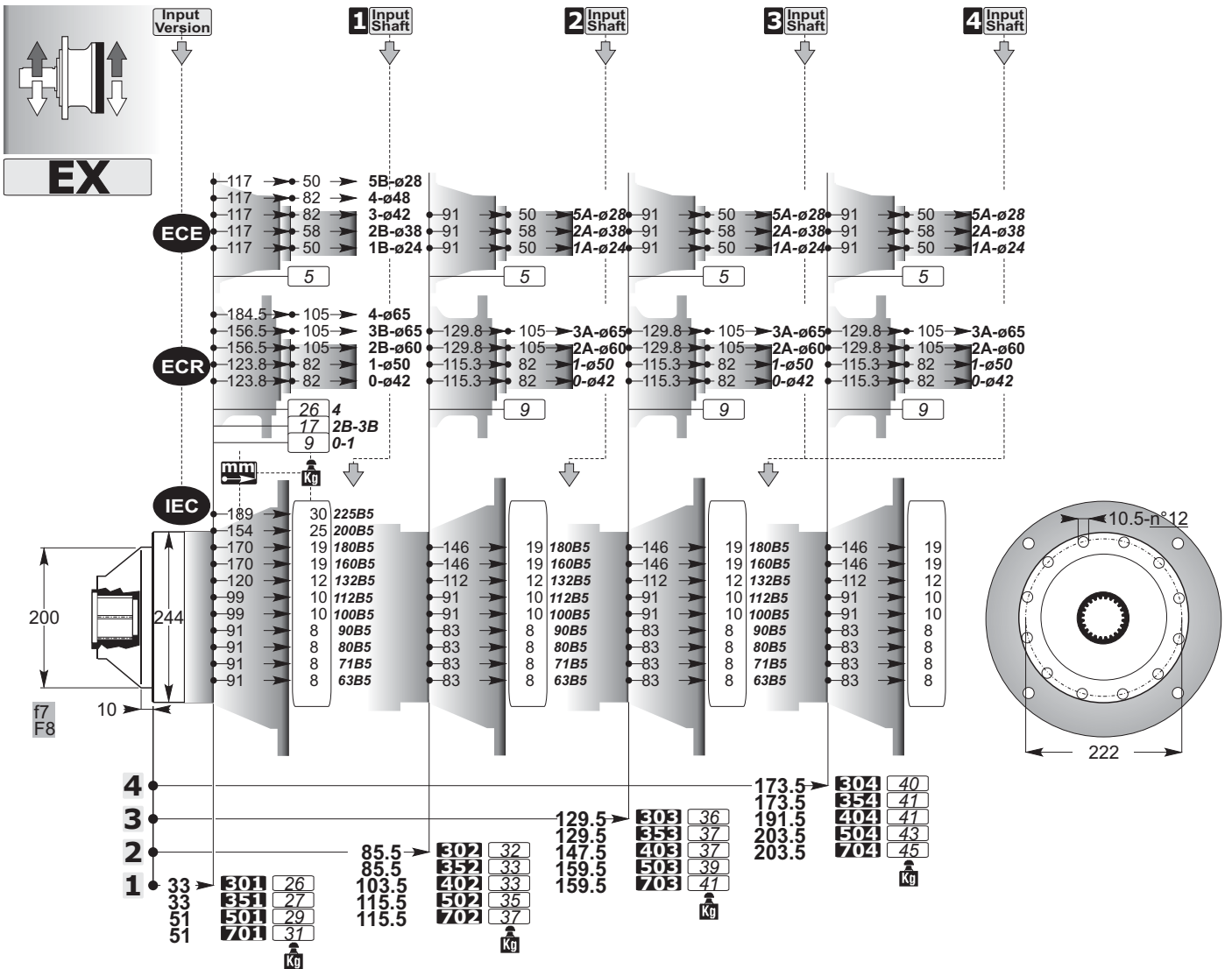


mm  
C





**Output Shafts**

