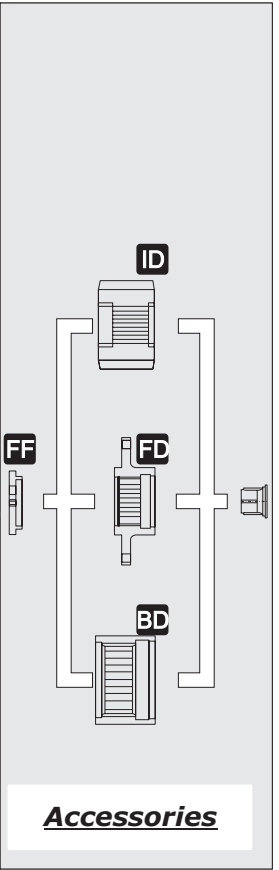
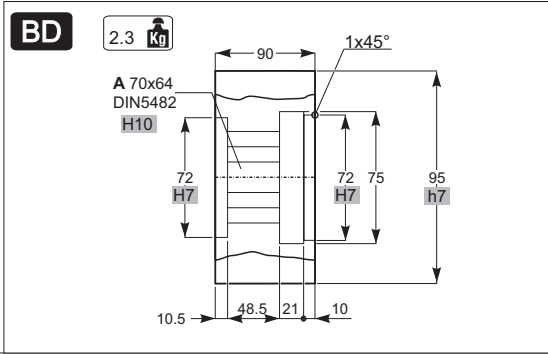
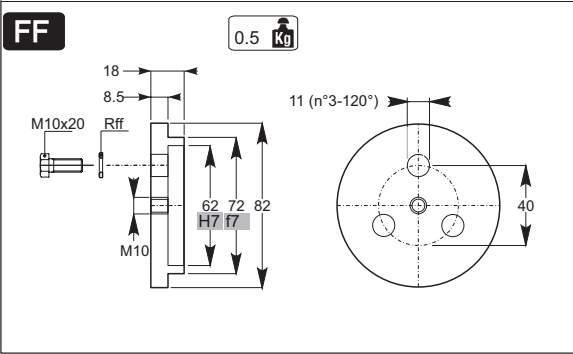
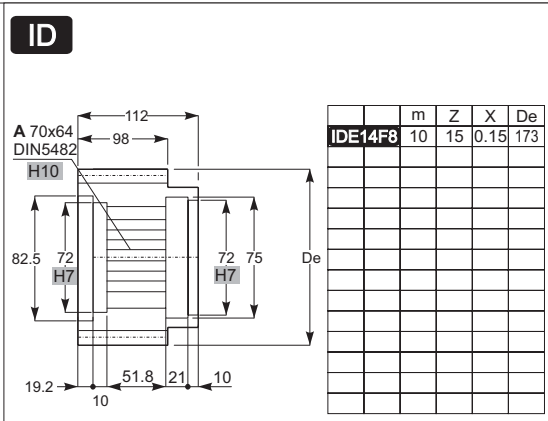
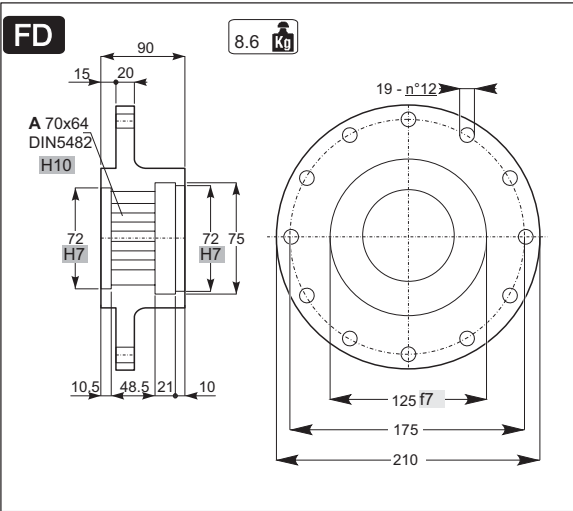
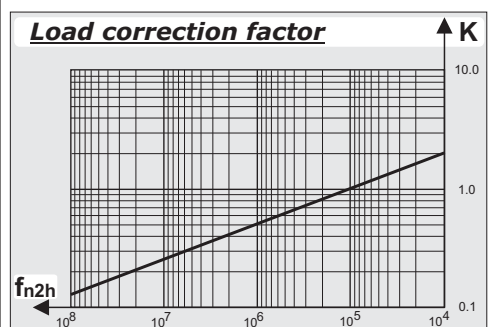
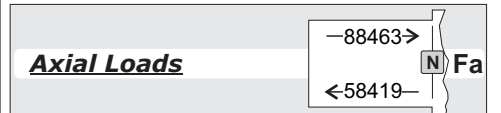
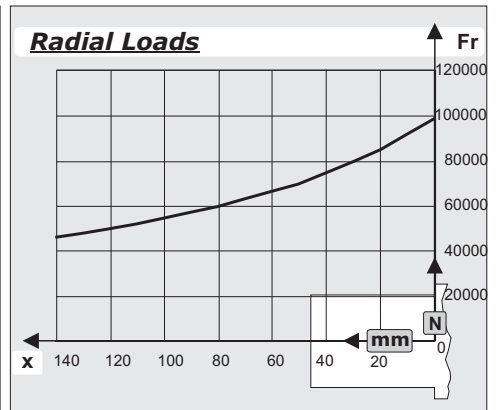
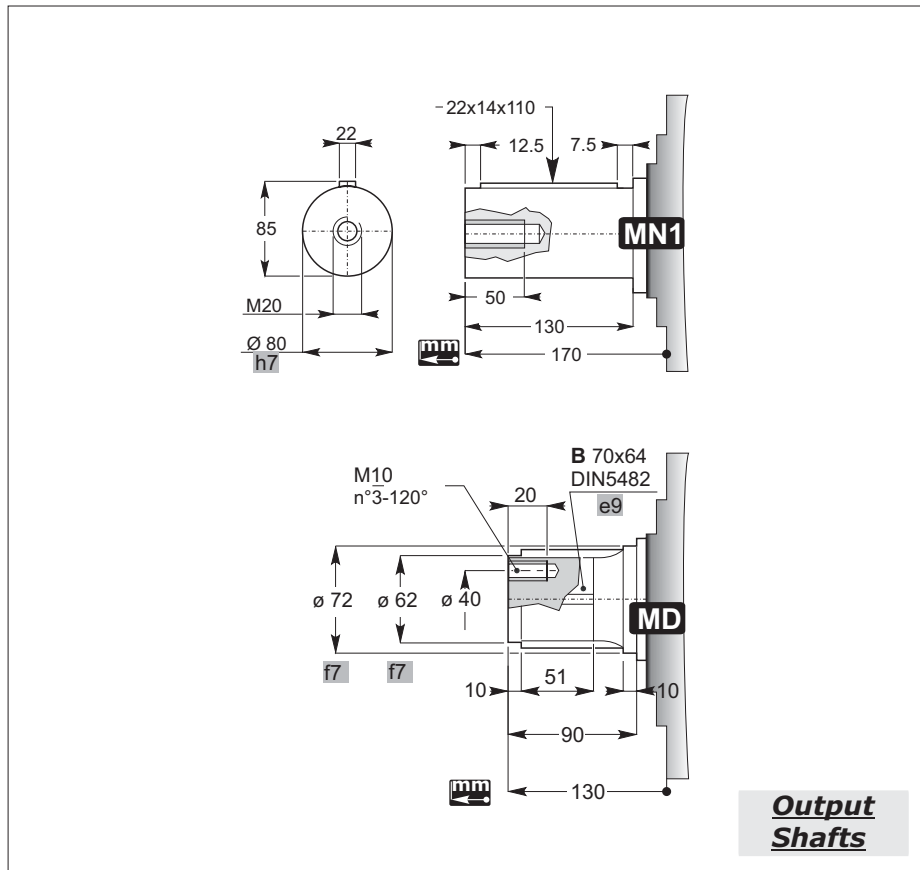
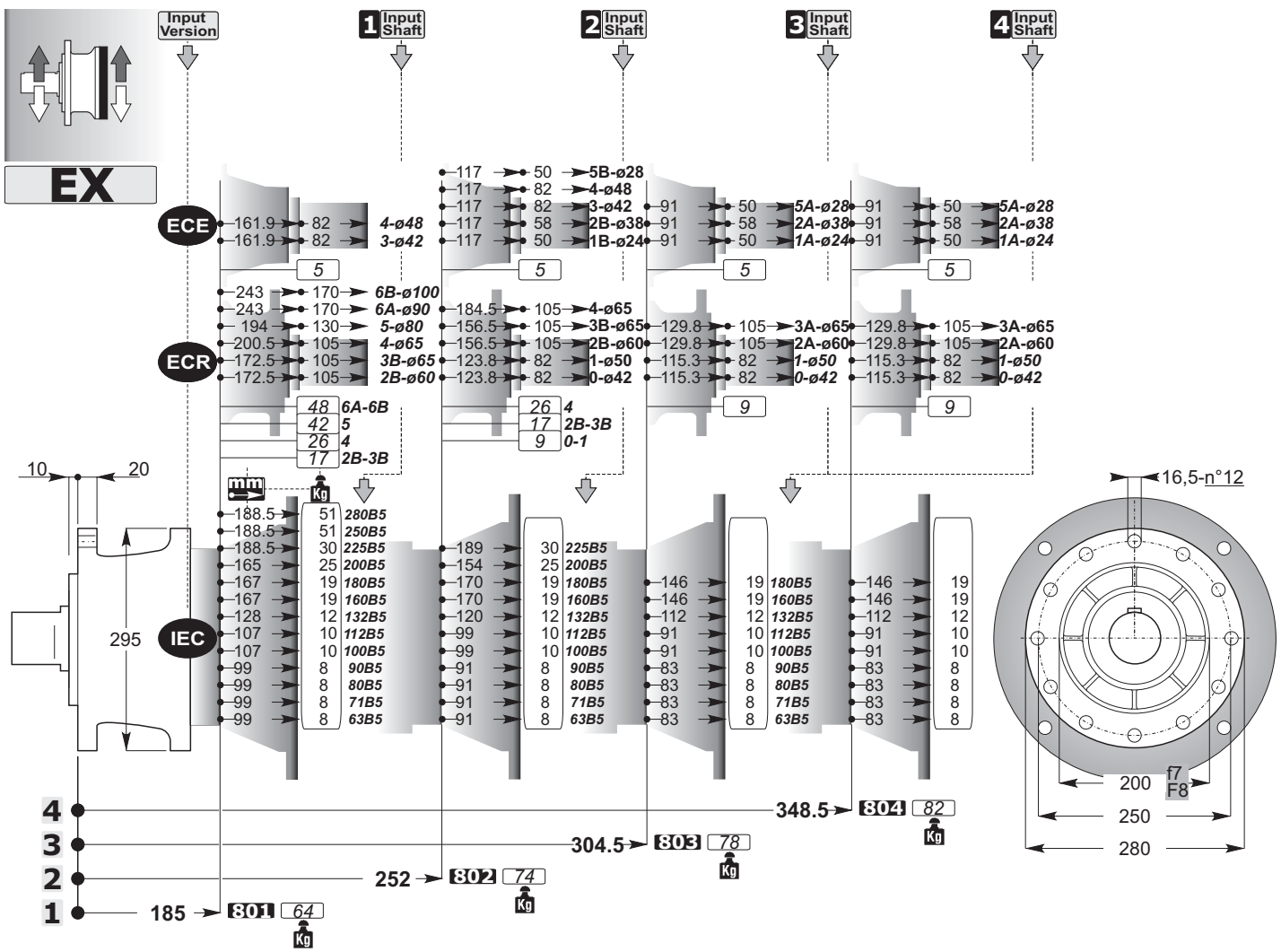
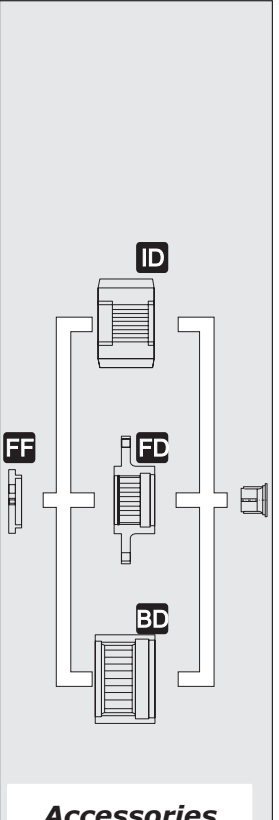
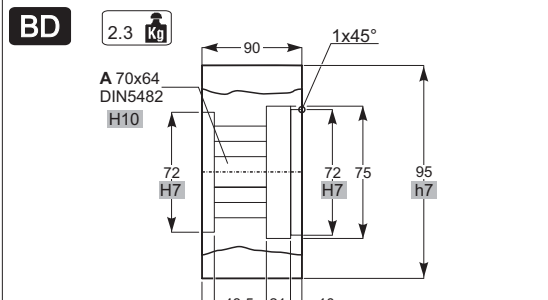
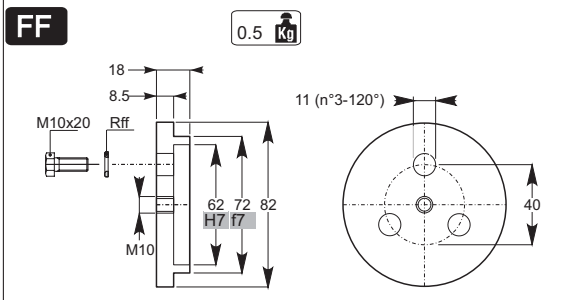
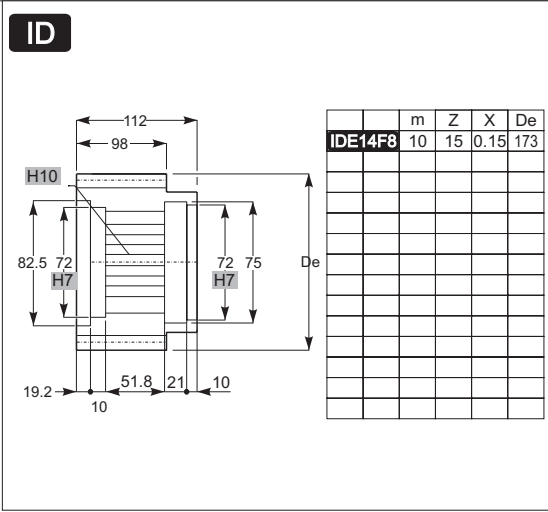
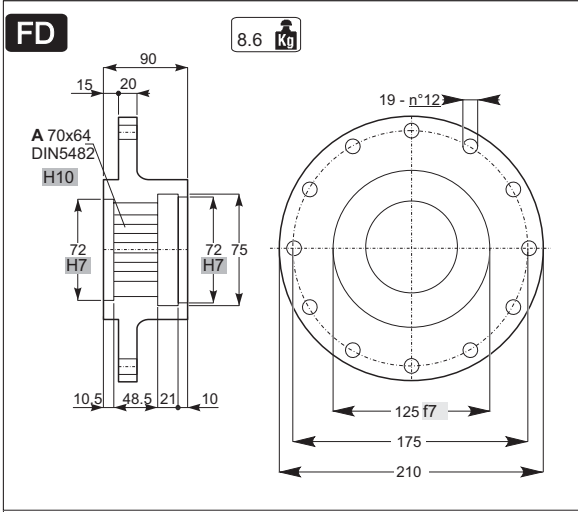
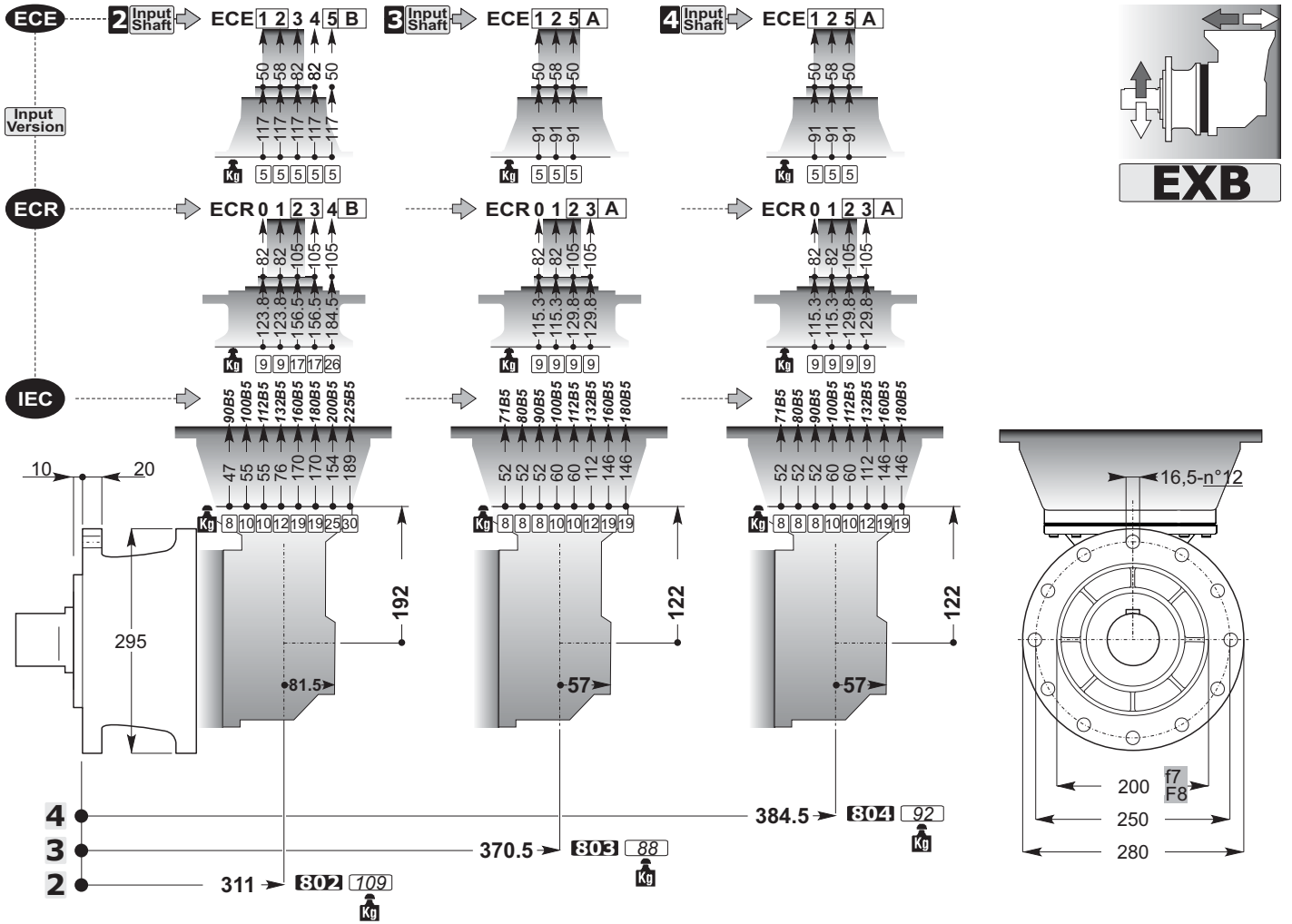


**EXB**

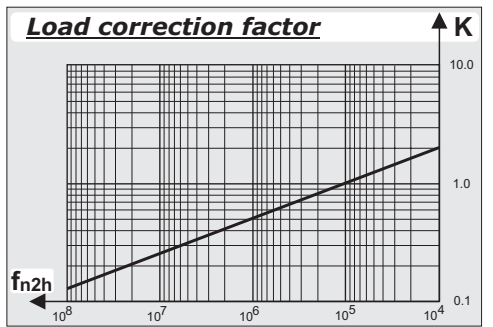
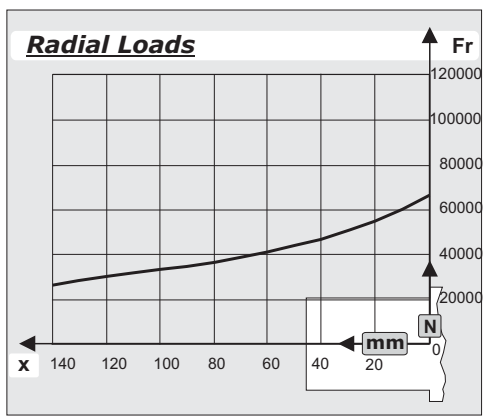
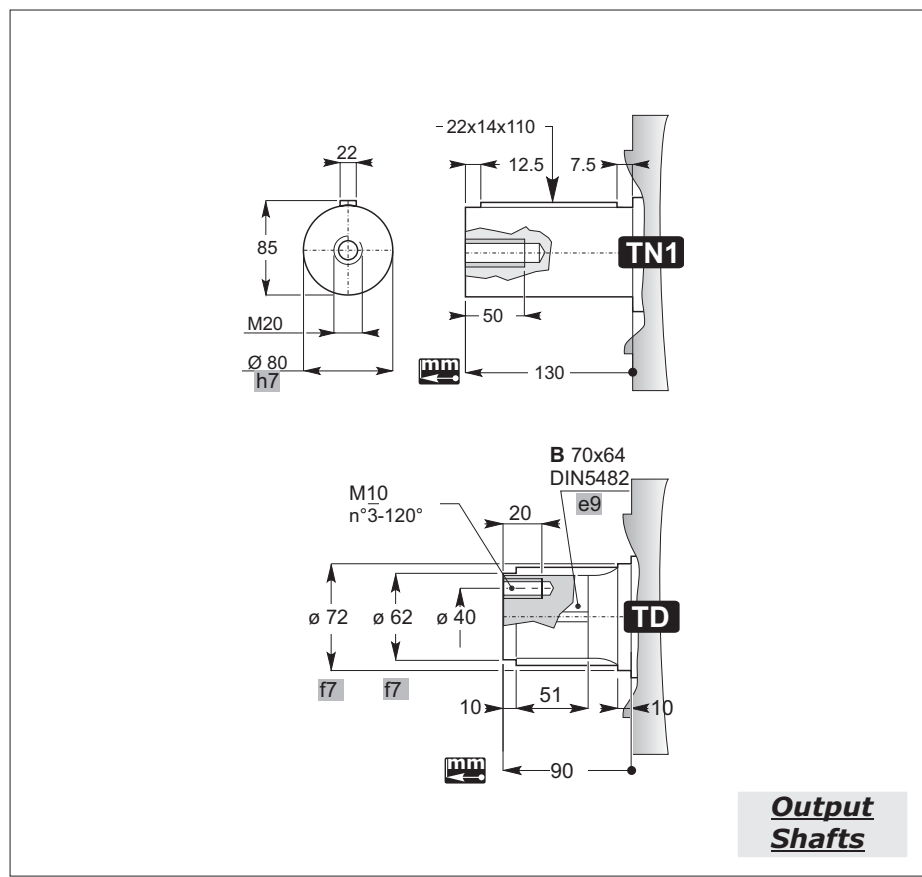
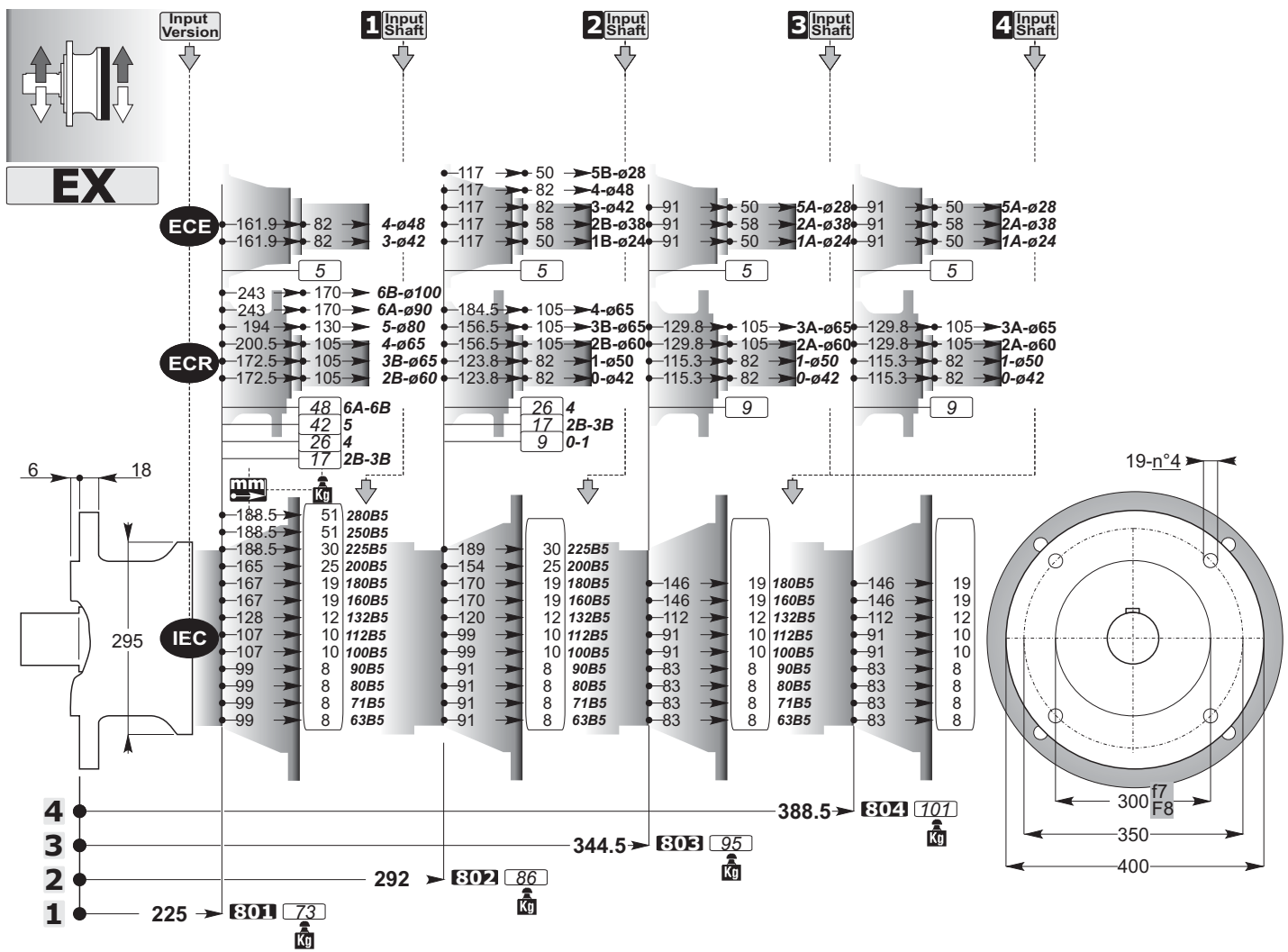


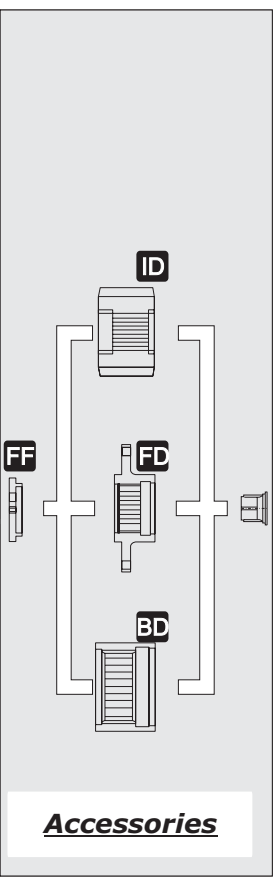
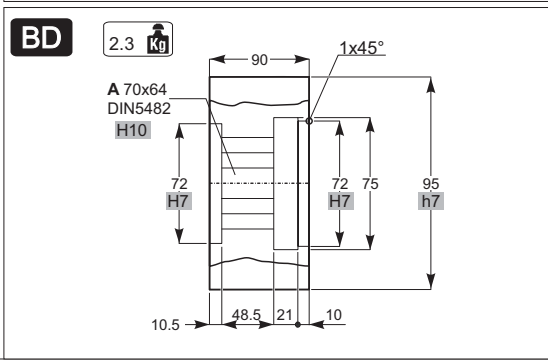
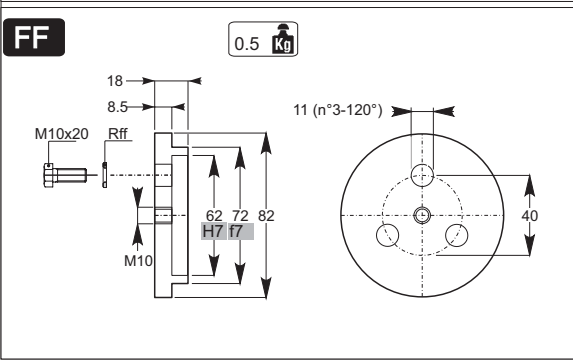
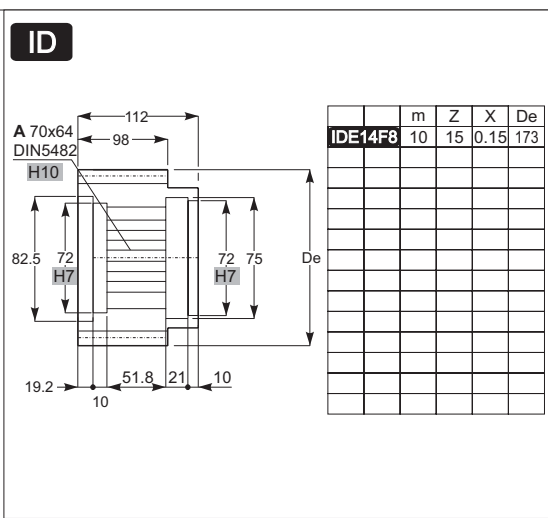
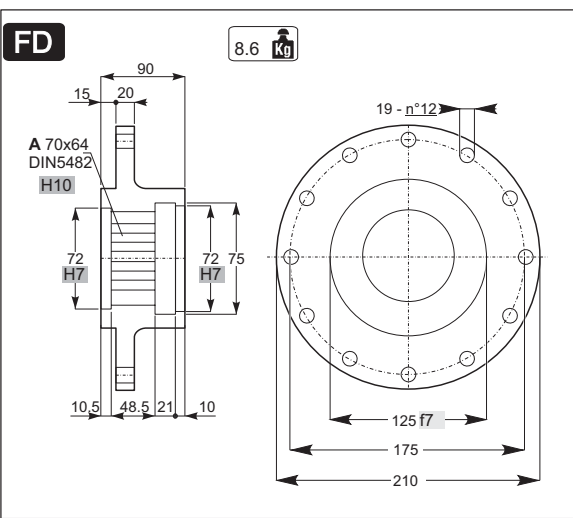
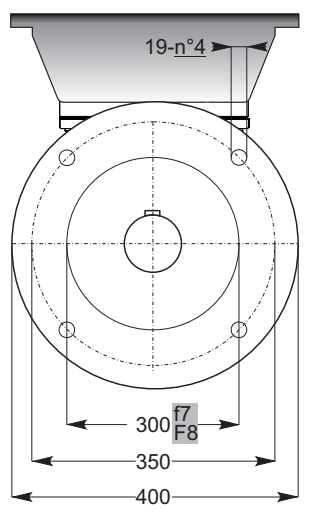
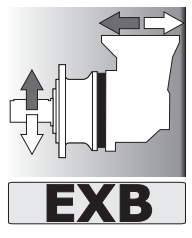
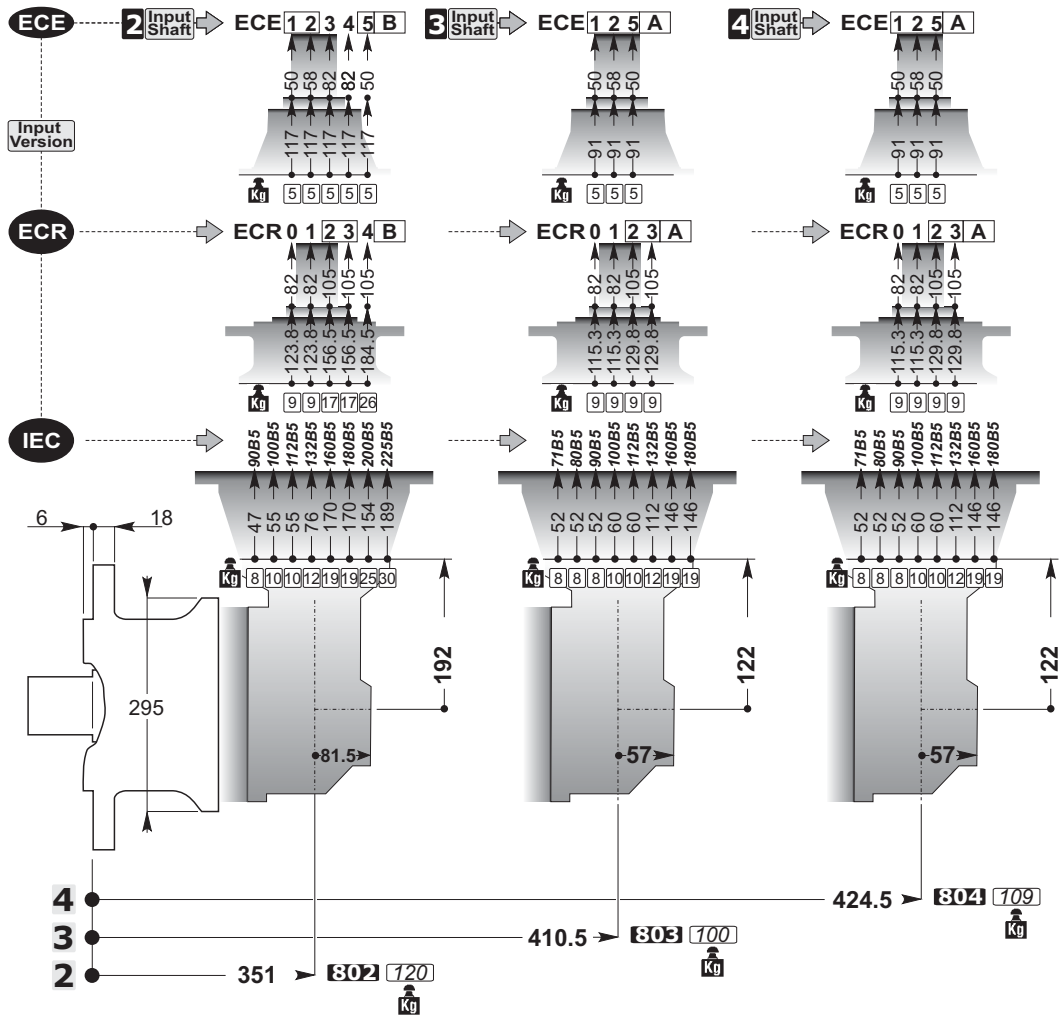
mm  
C



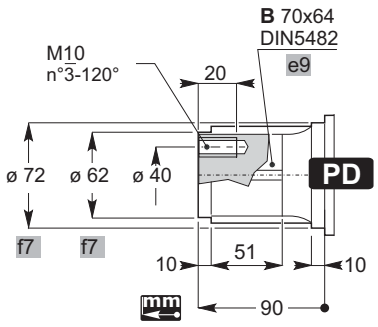
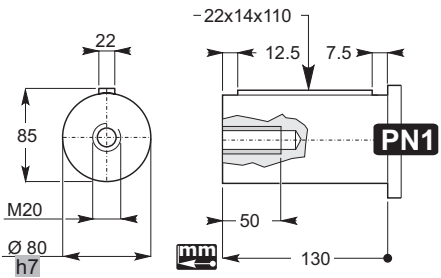
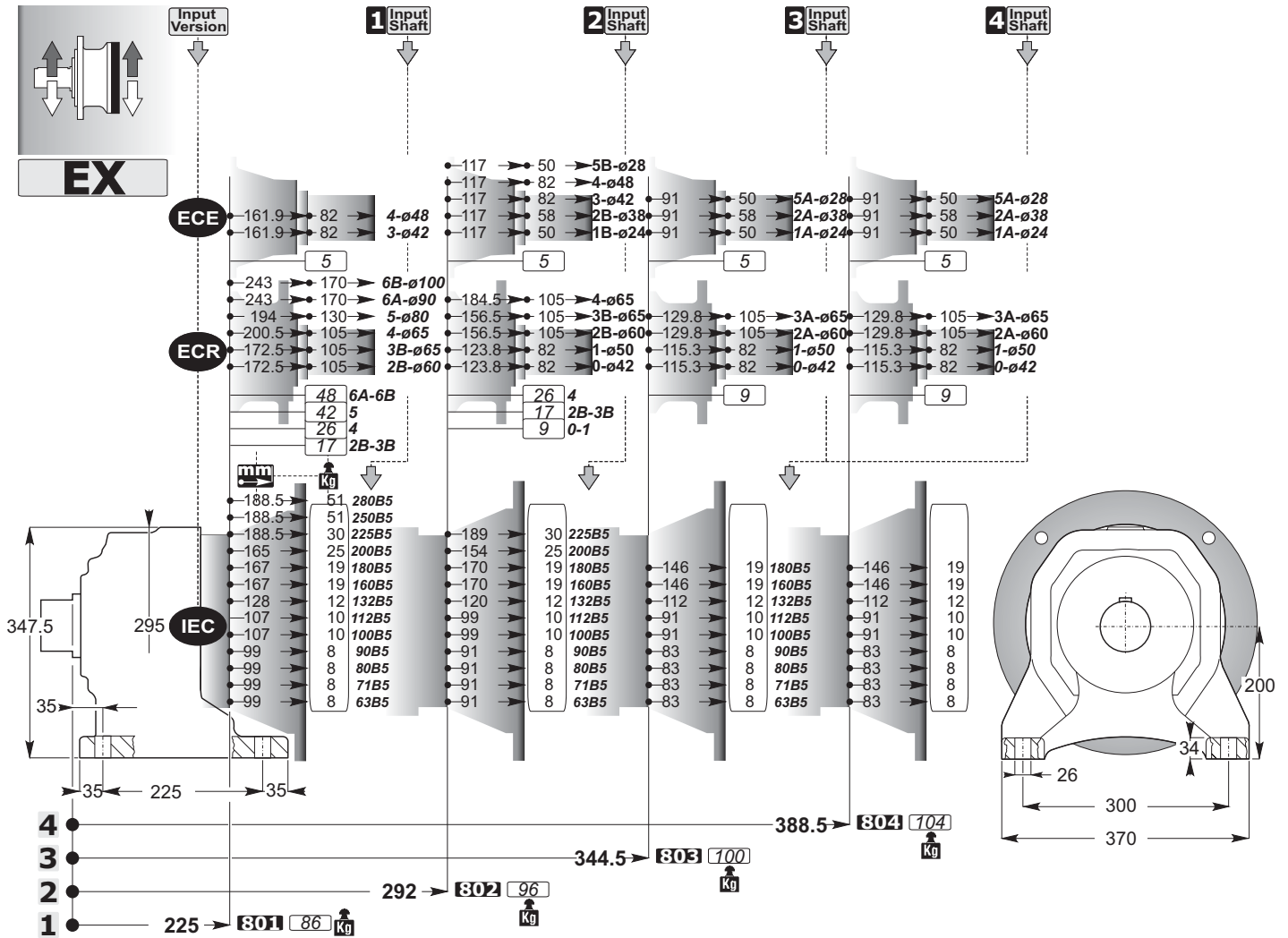
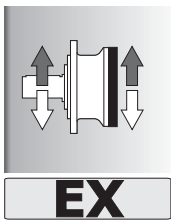


**mm**  
**C**

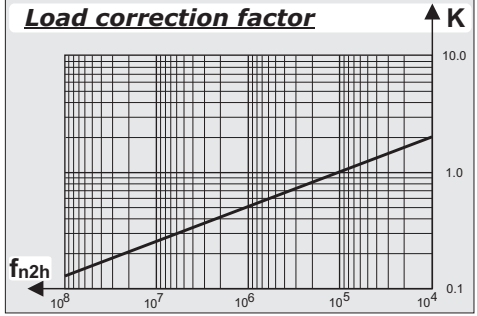
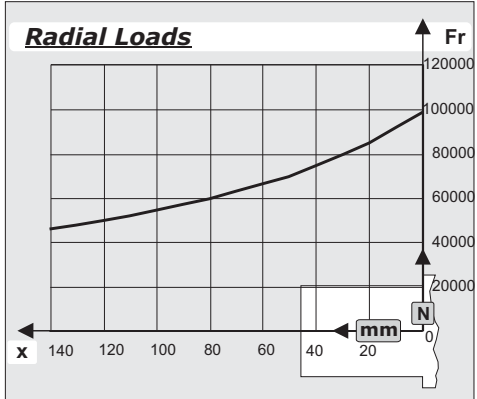




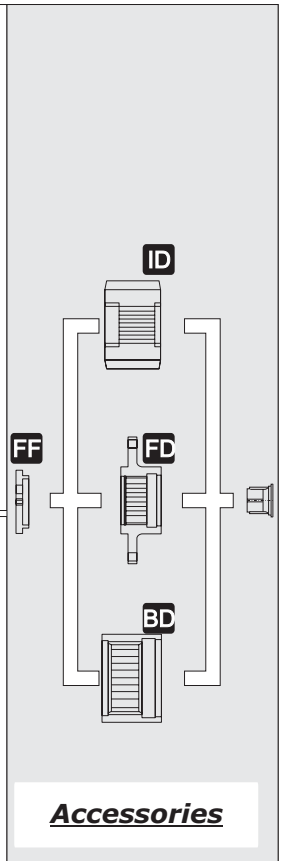
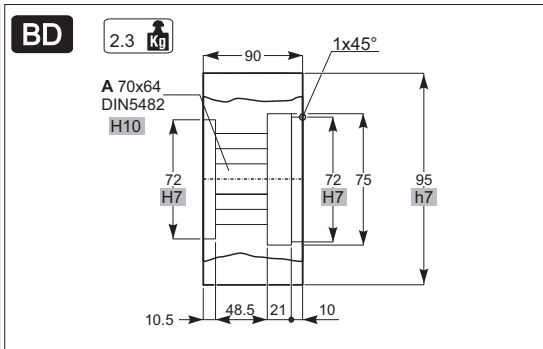
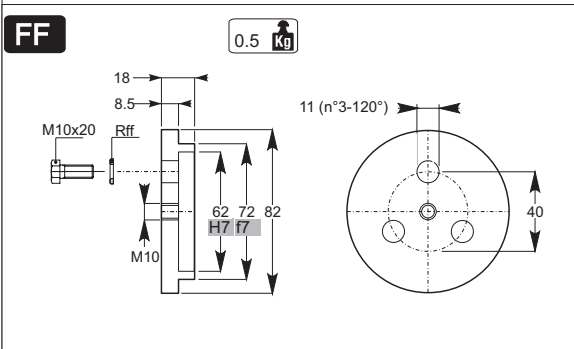
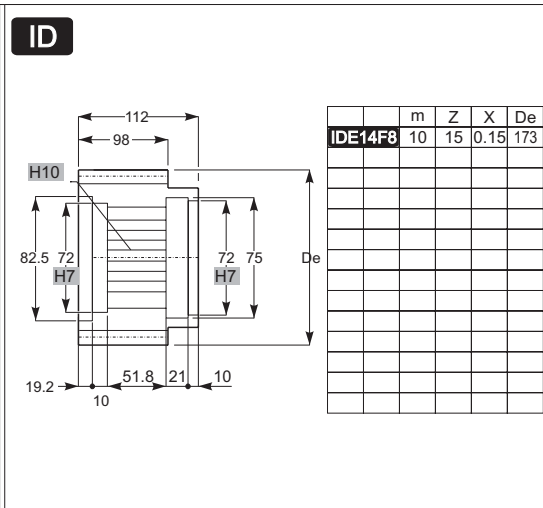
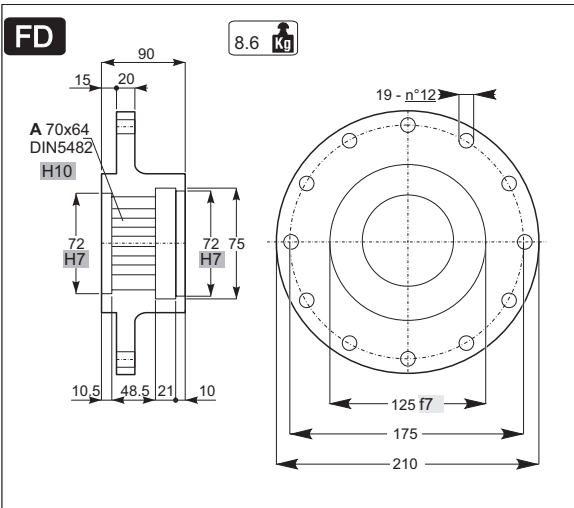
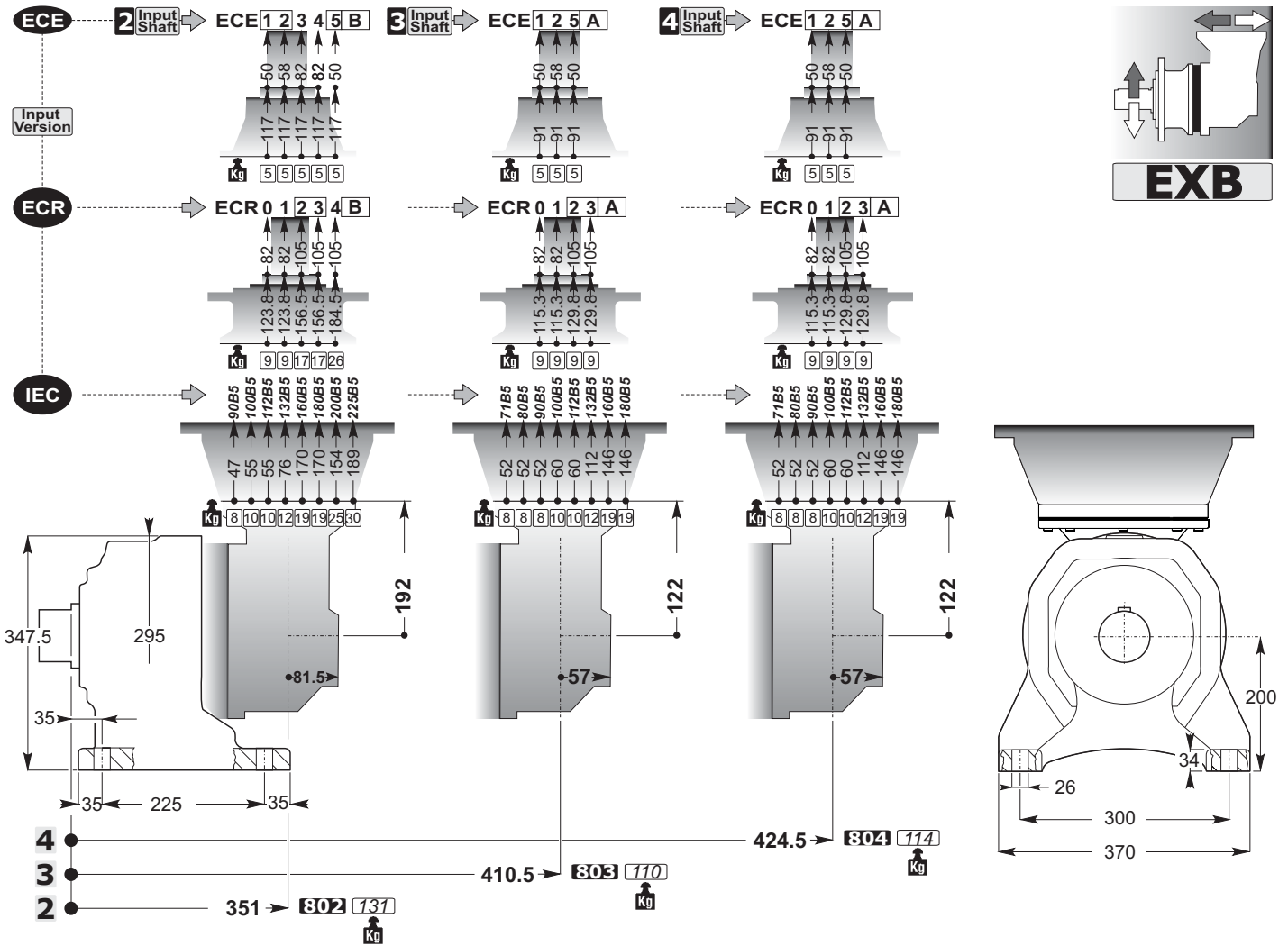
mm  
C



**Output Shafts**

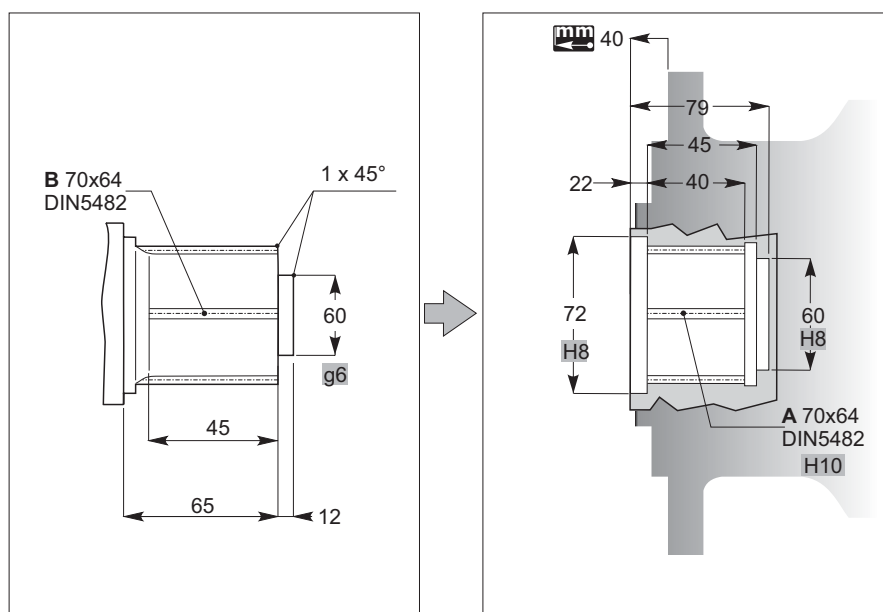
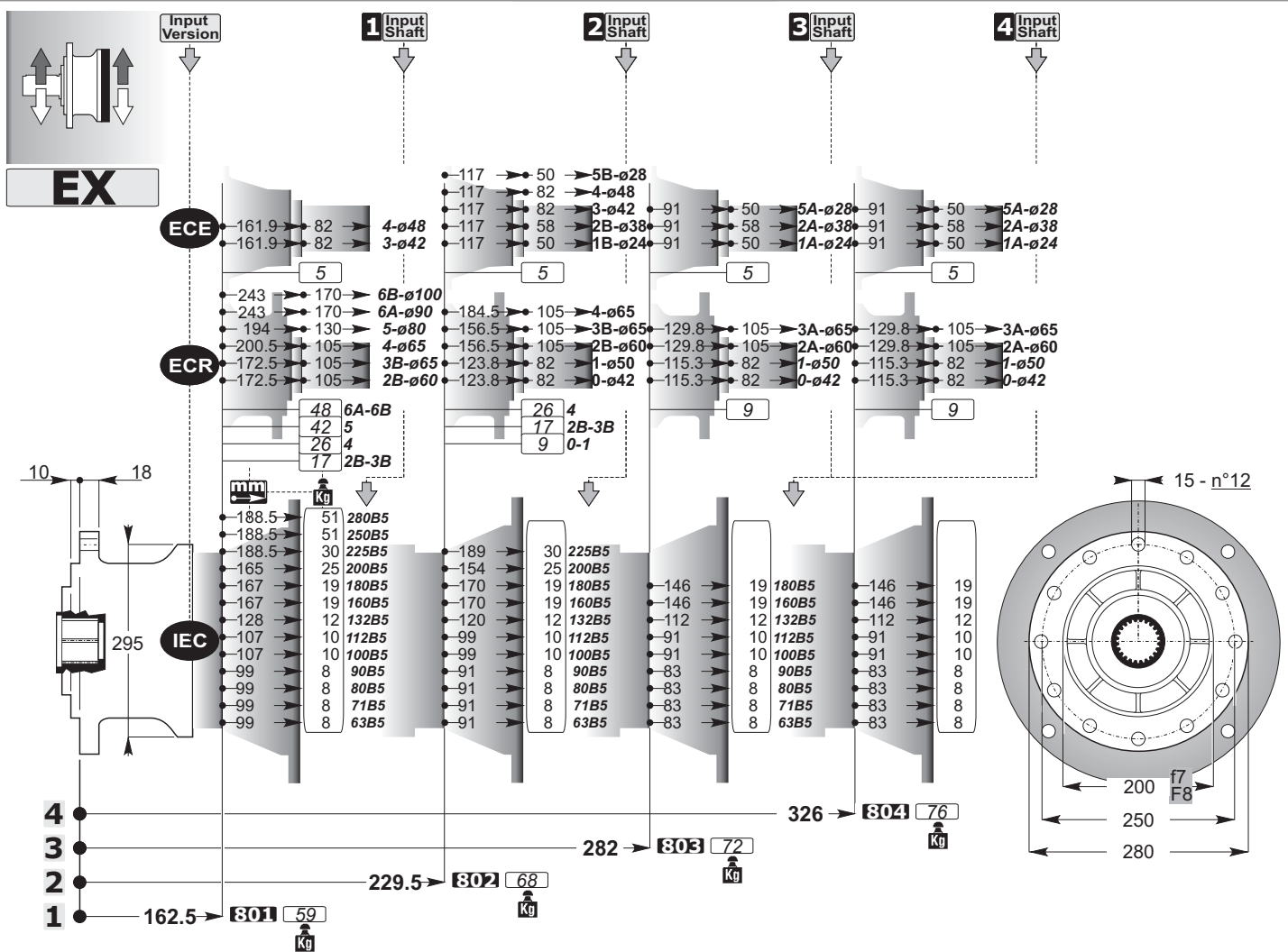


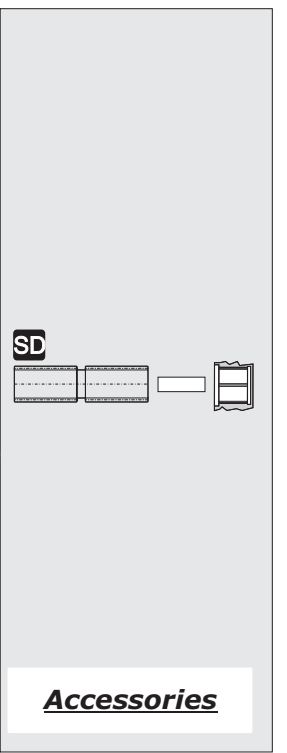
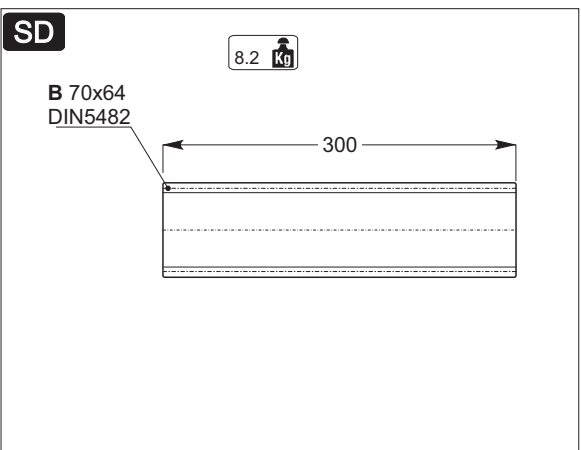
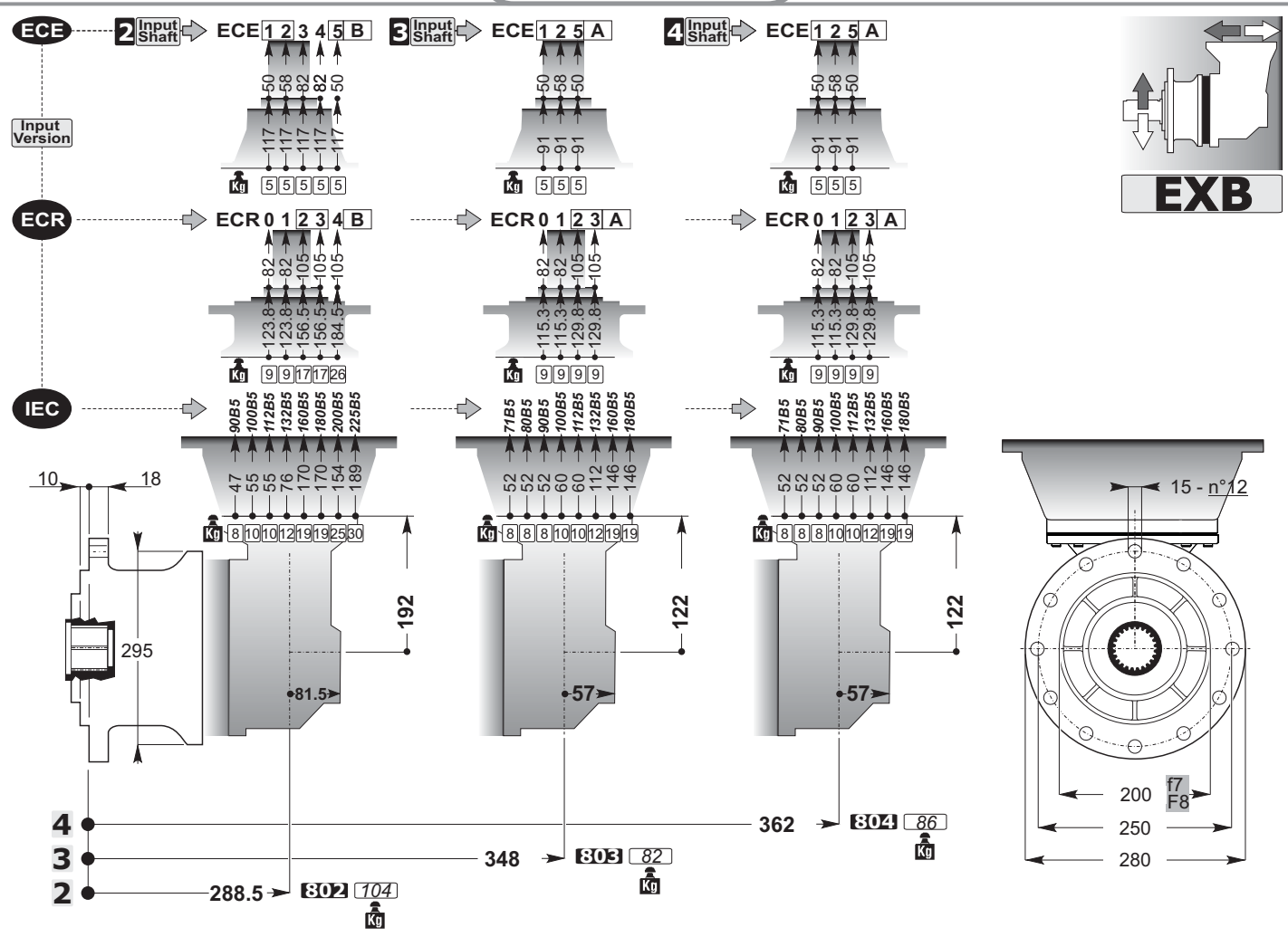


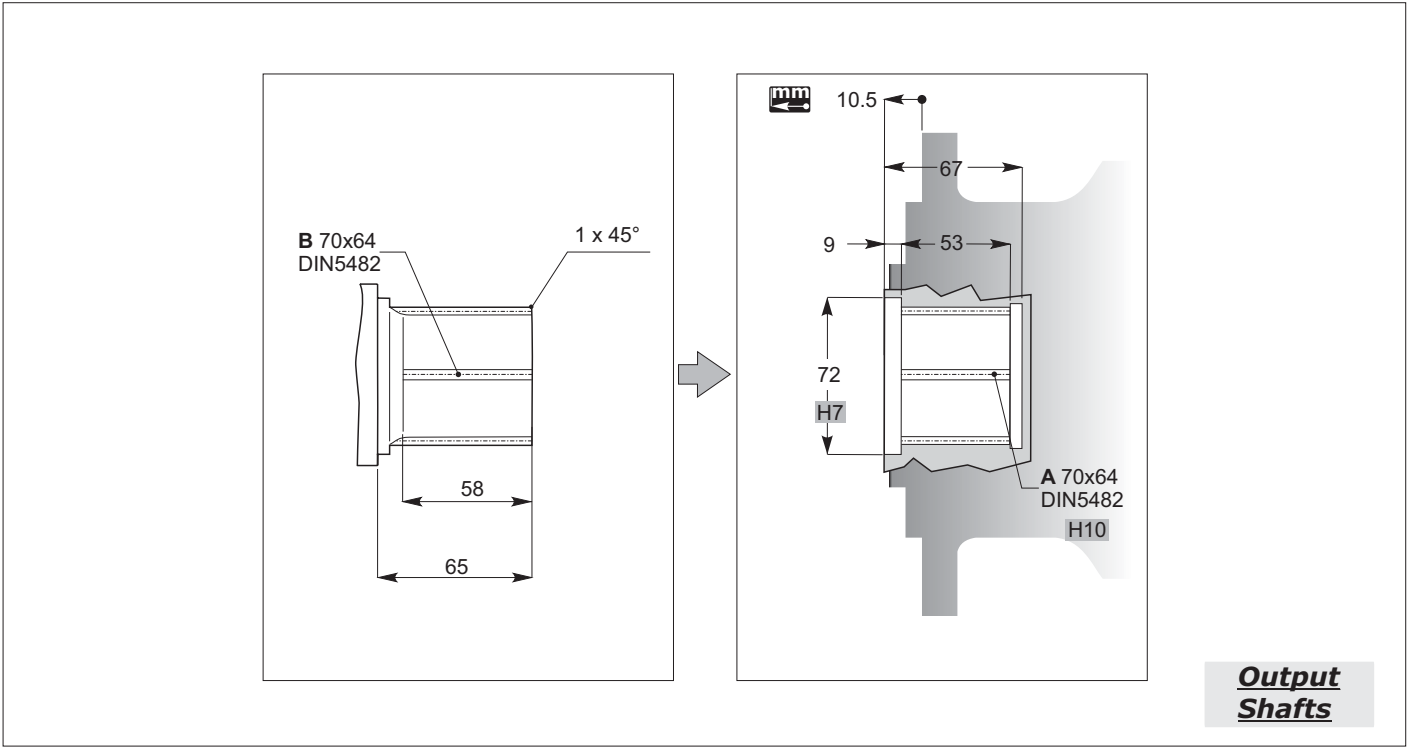
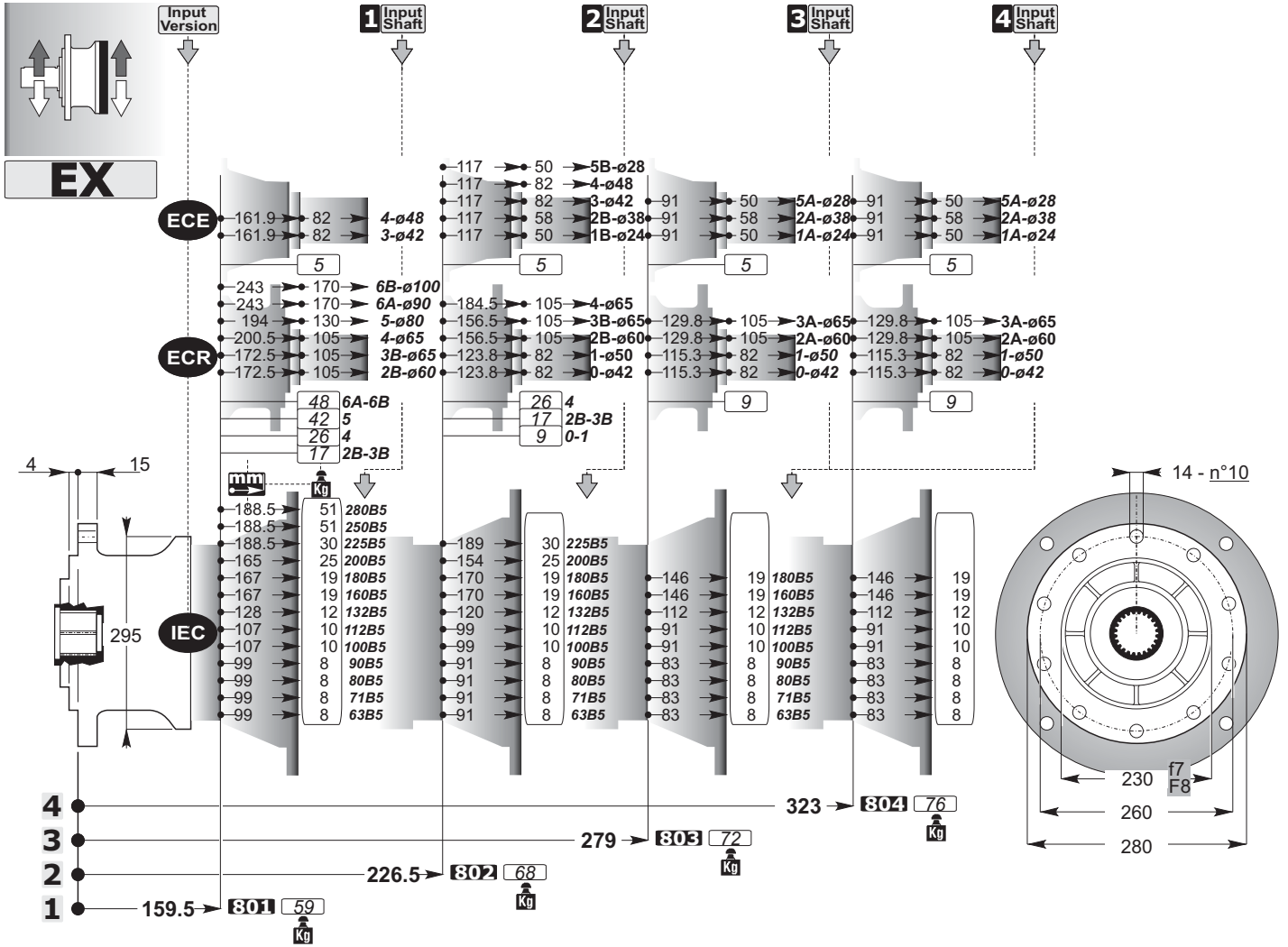


mm  
**C**

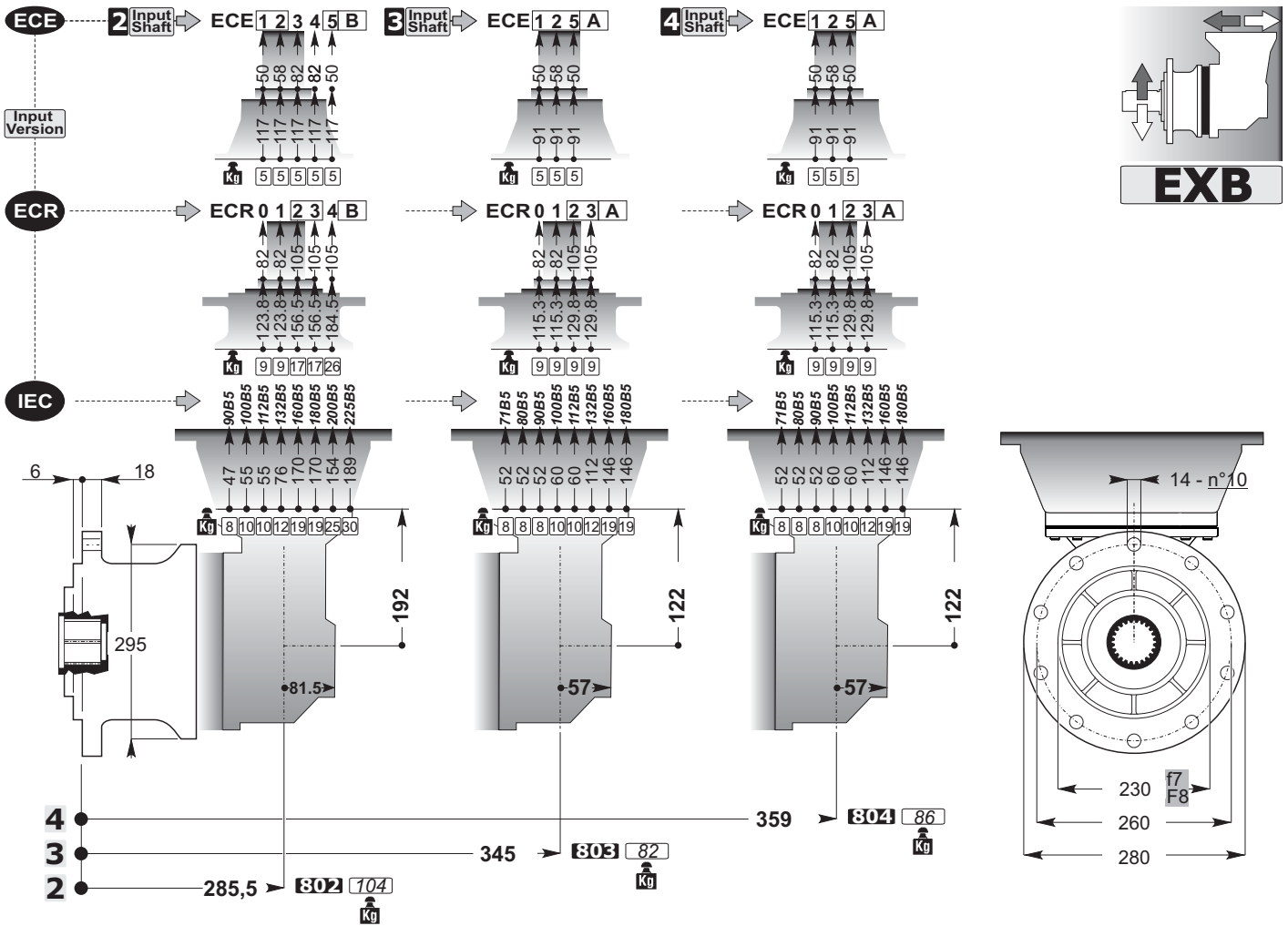


**Output  
Shafts**





**Output Shafts**

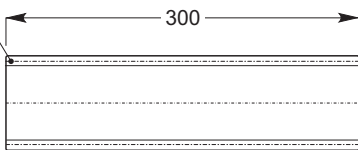


**SD**

B 70x64  
DIN5482

8.2 Kg

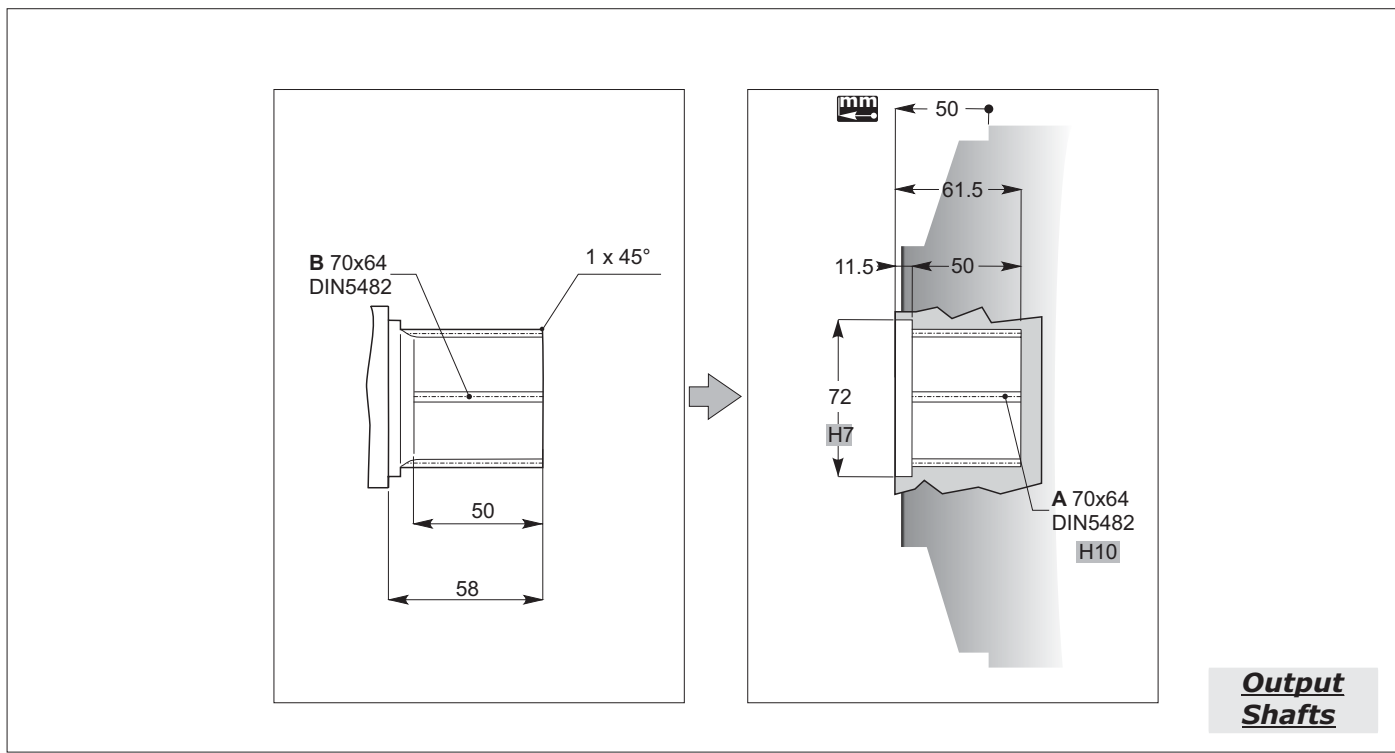
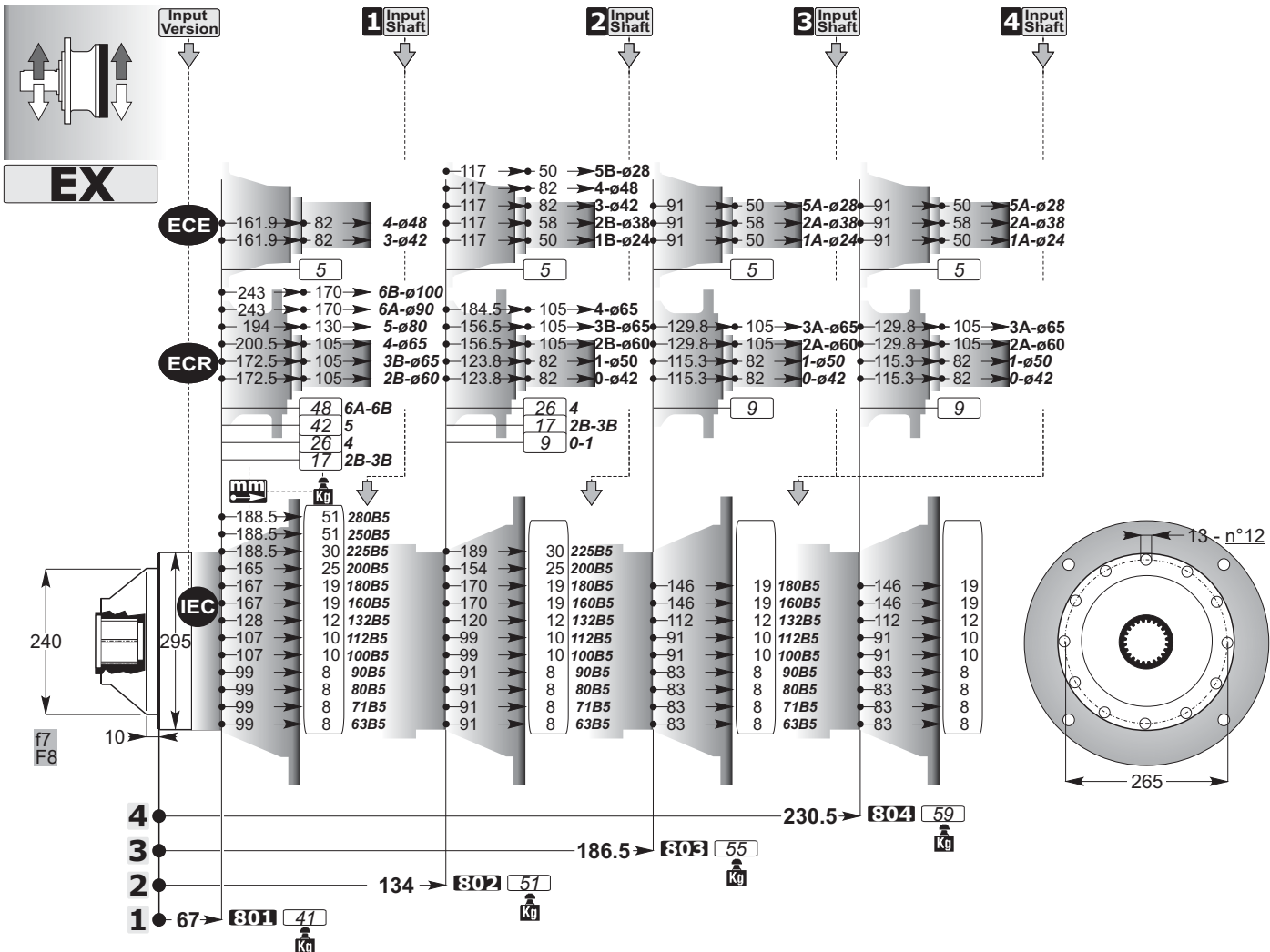
300

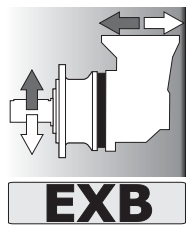
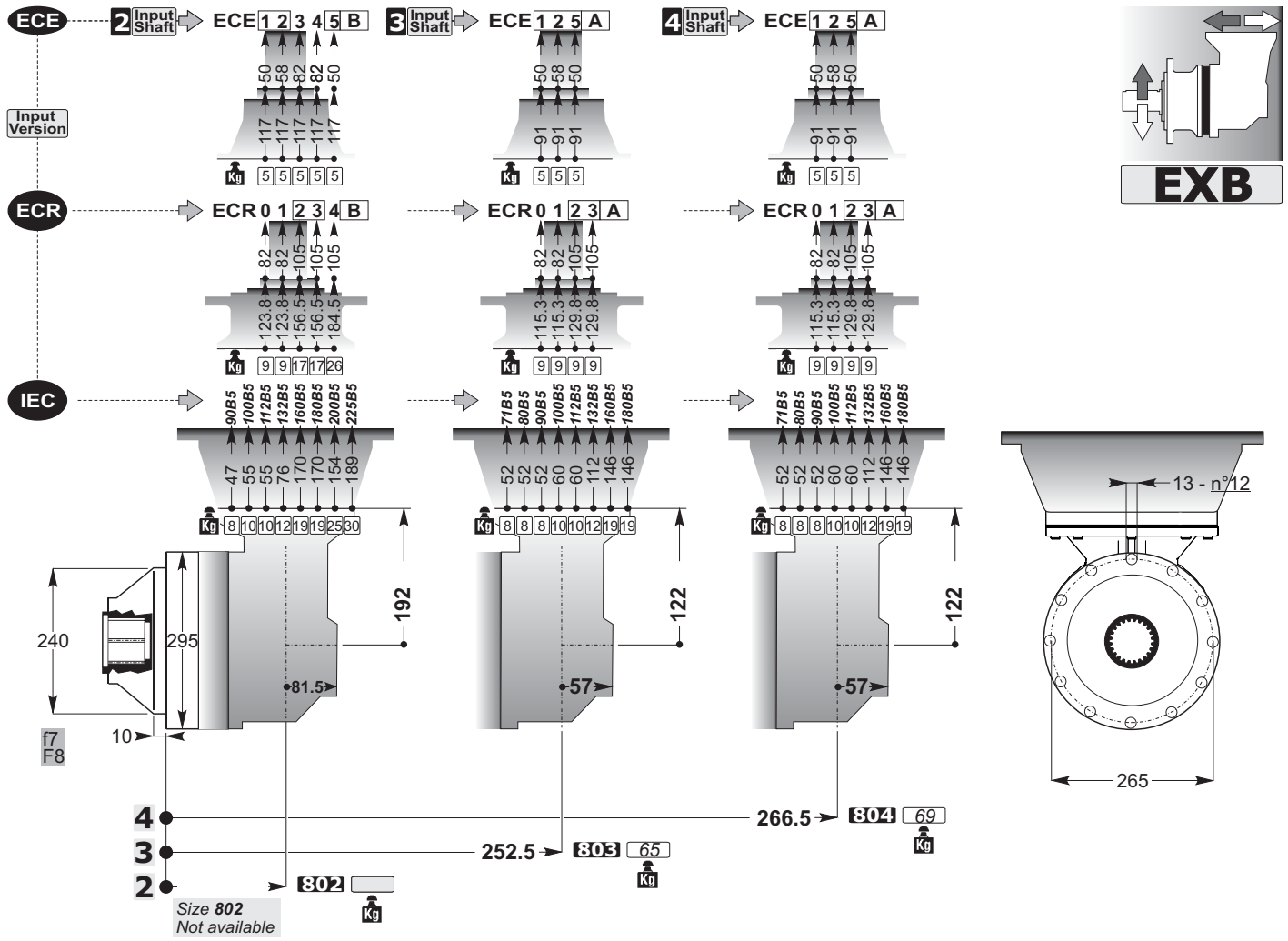


**SD**

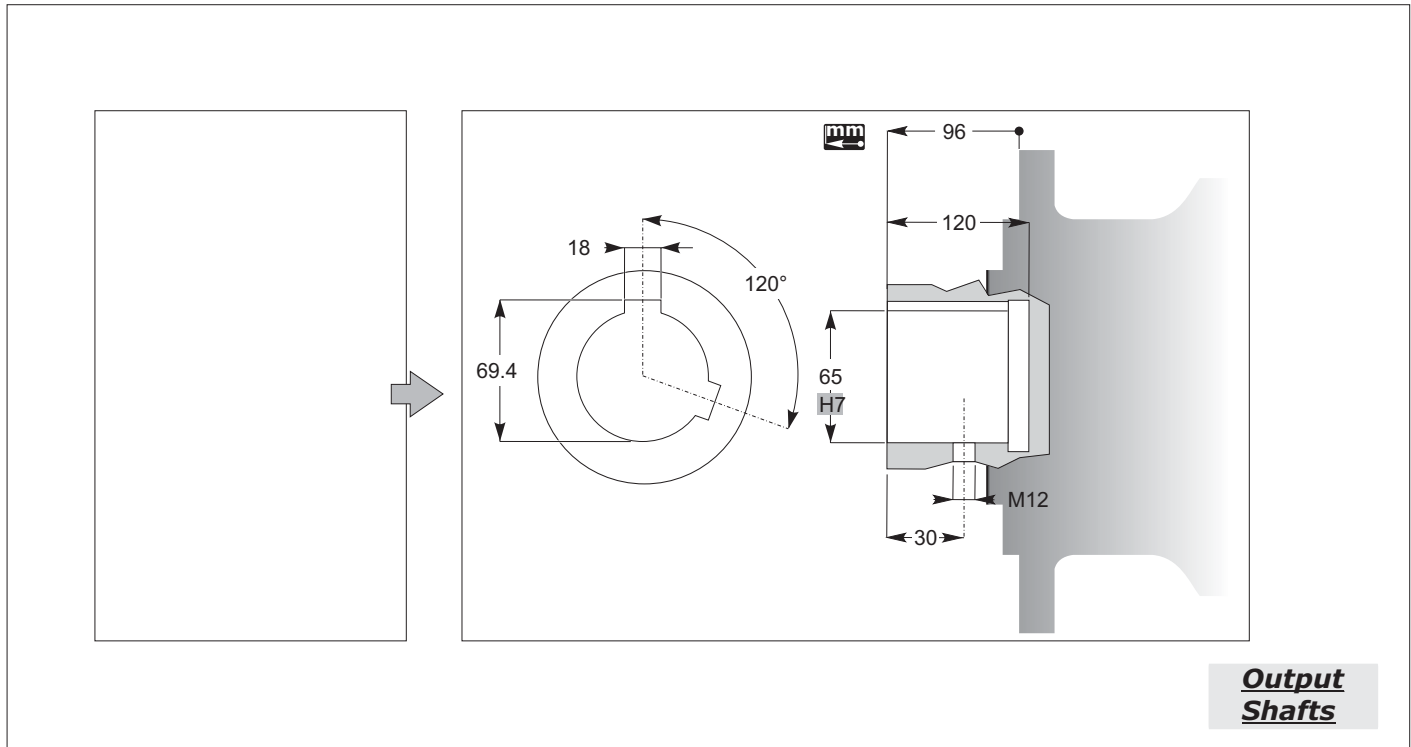
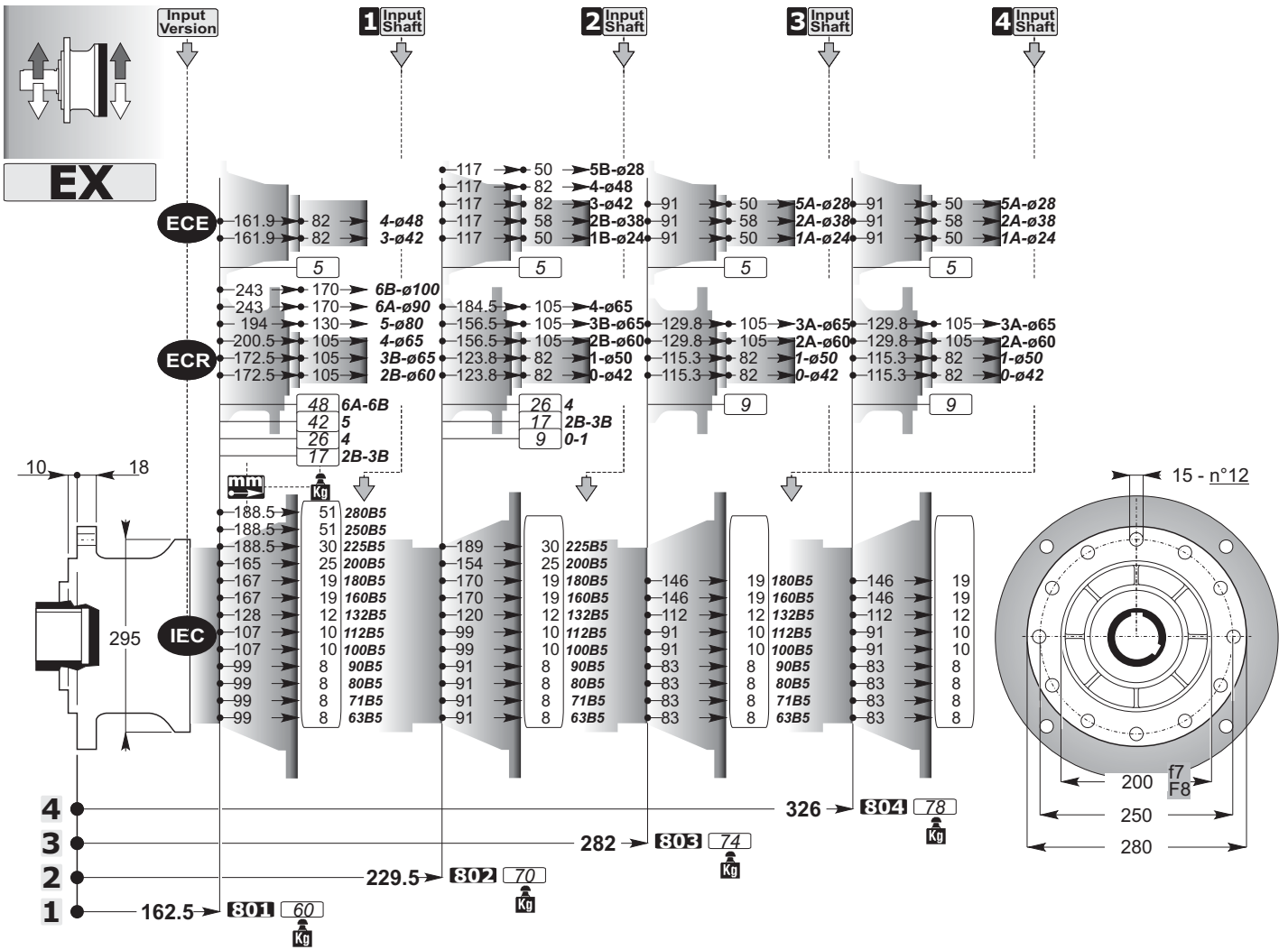


**Accessories**

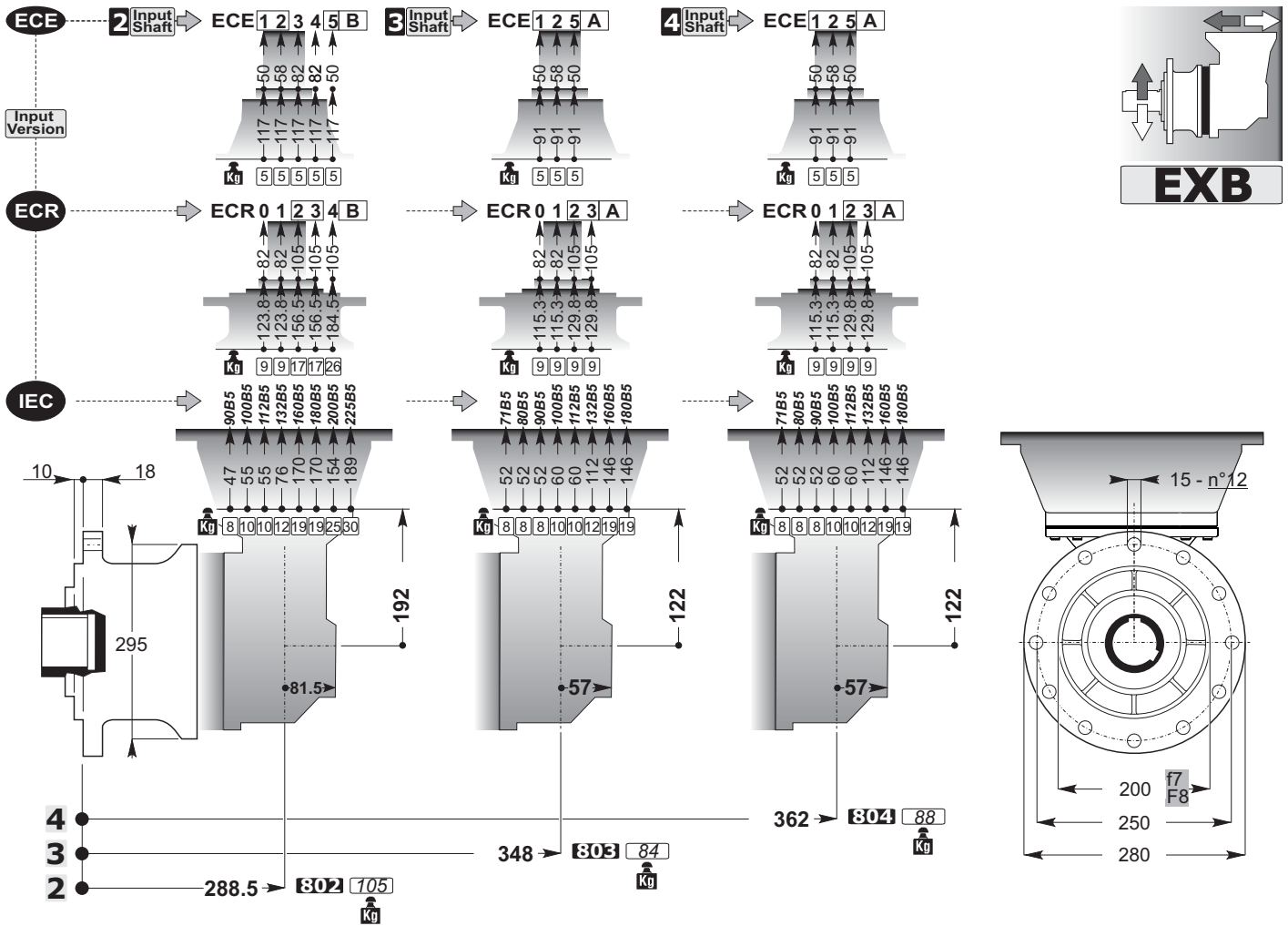


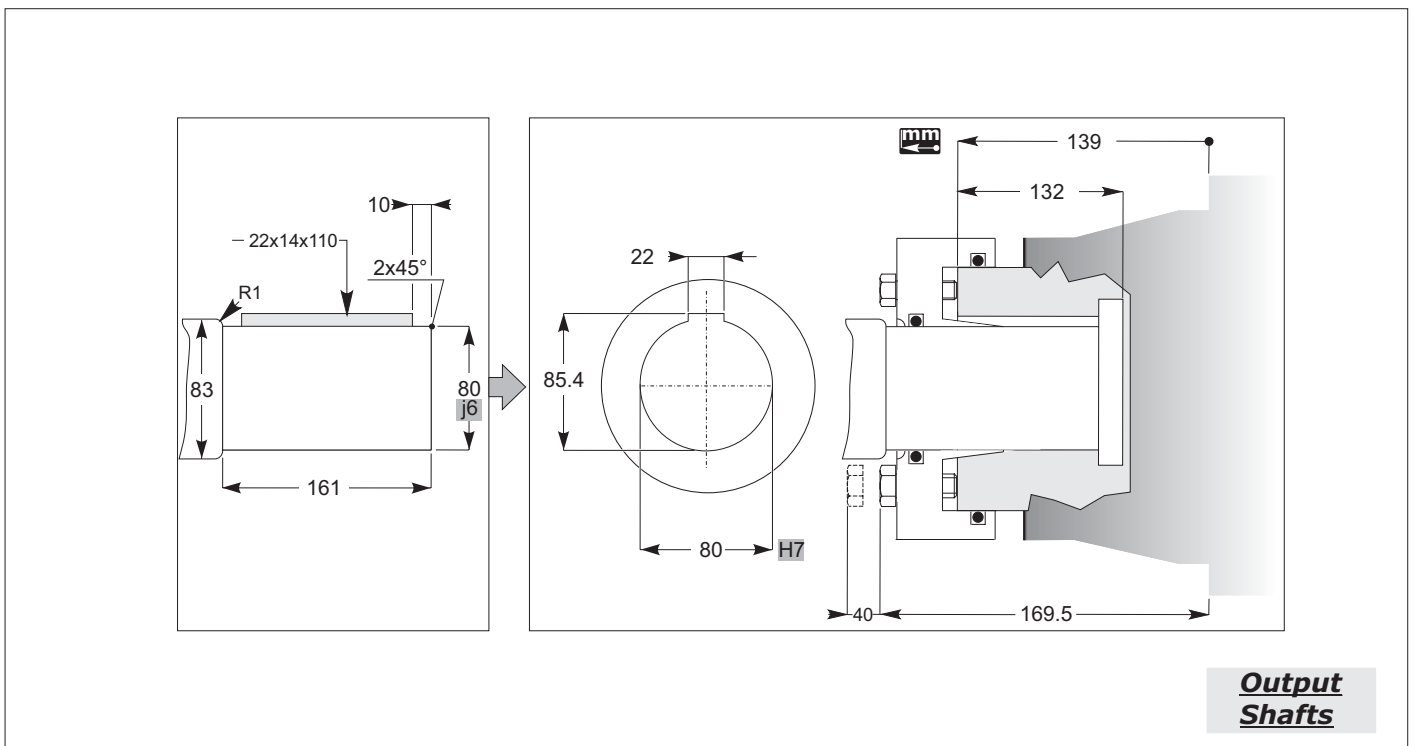
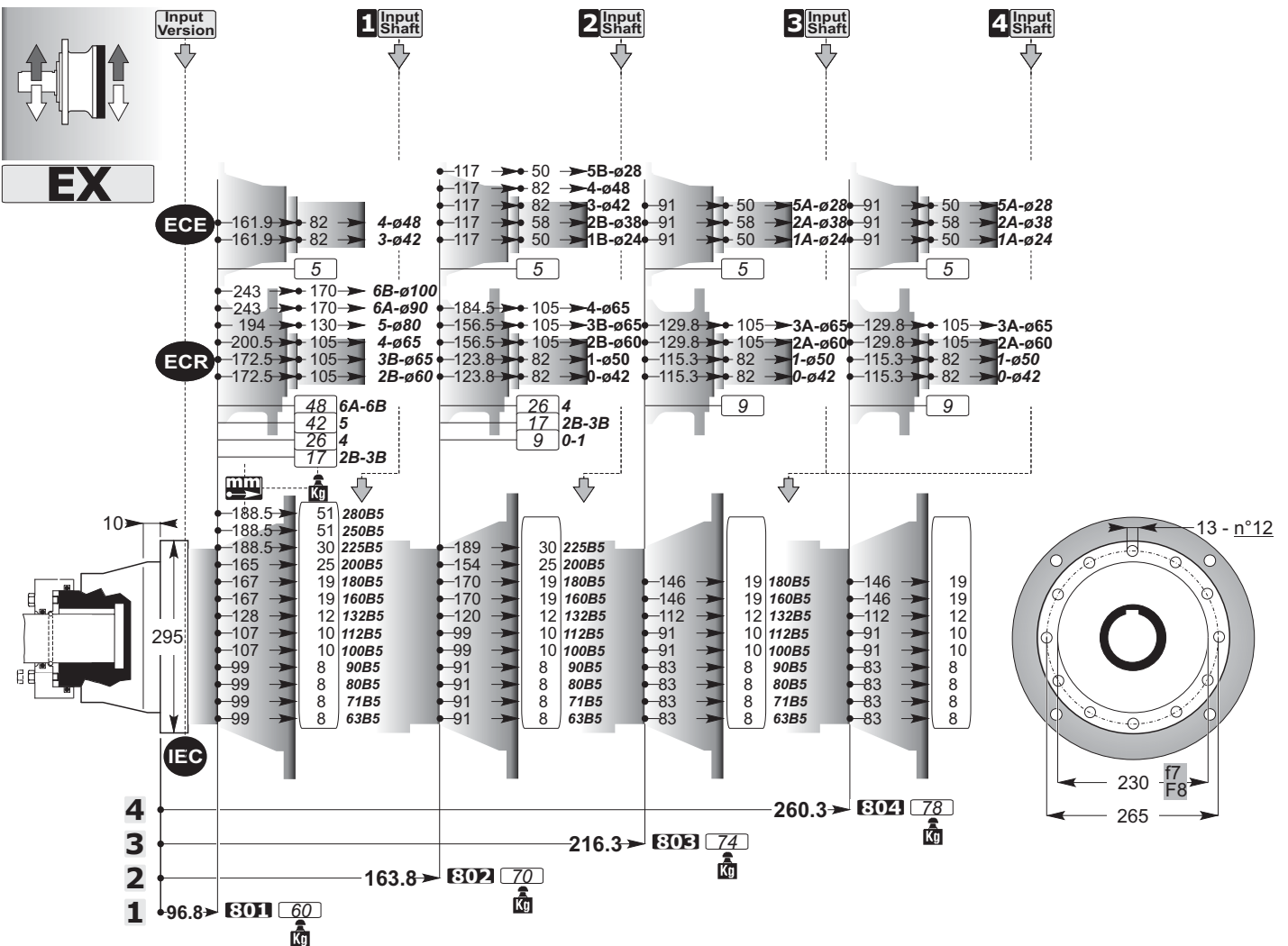


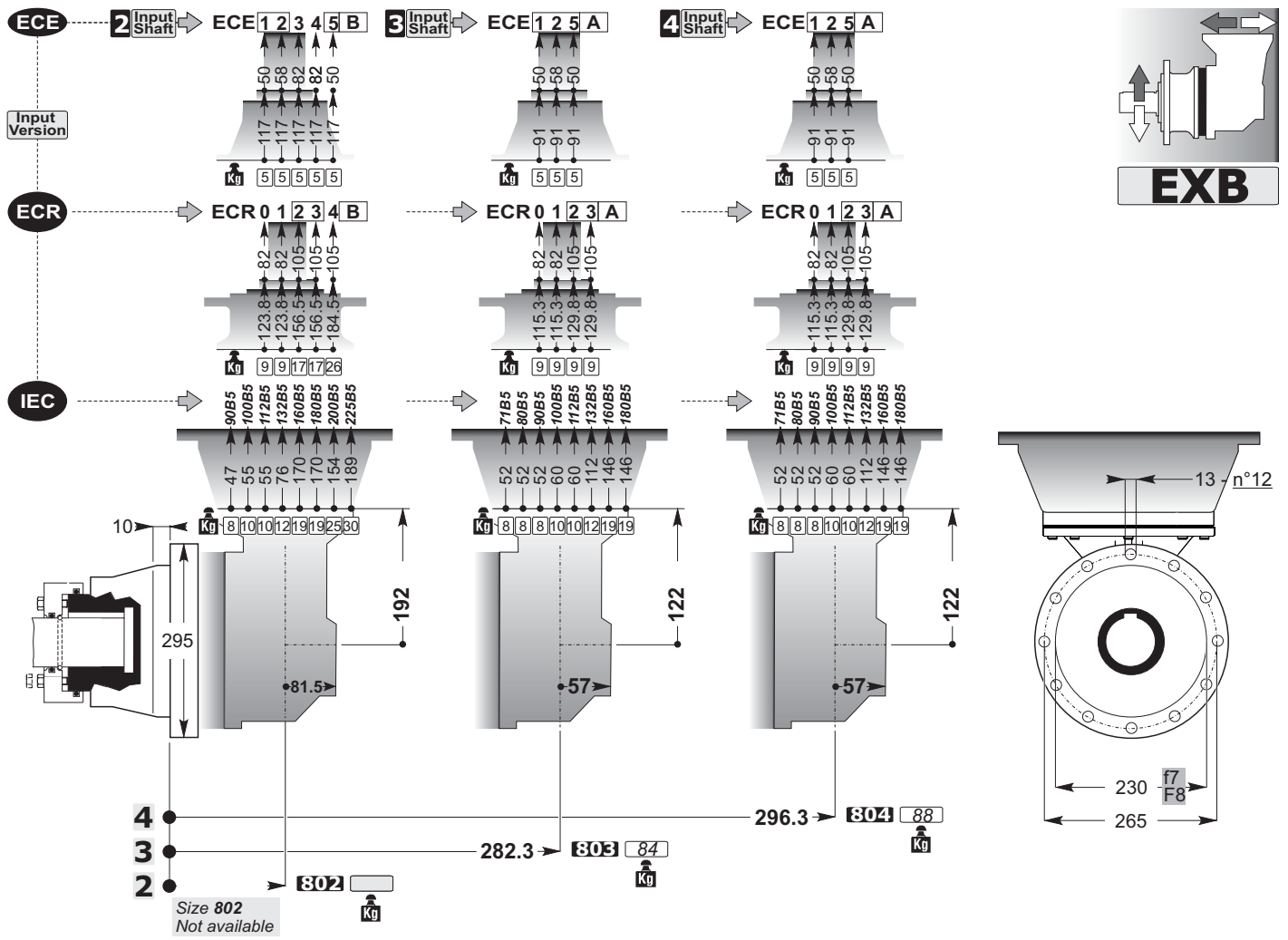
<p><b>SD</b></p> <p>B 70x64 DIN5482</p> <p>8.2 Kg</p> <p>300</p>		<p><b>mm</b></p> <p><b>C</b></p> <p><b>SD</b></p> <p><b>Accessories</b></p>

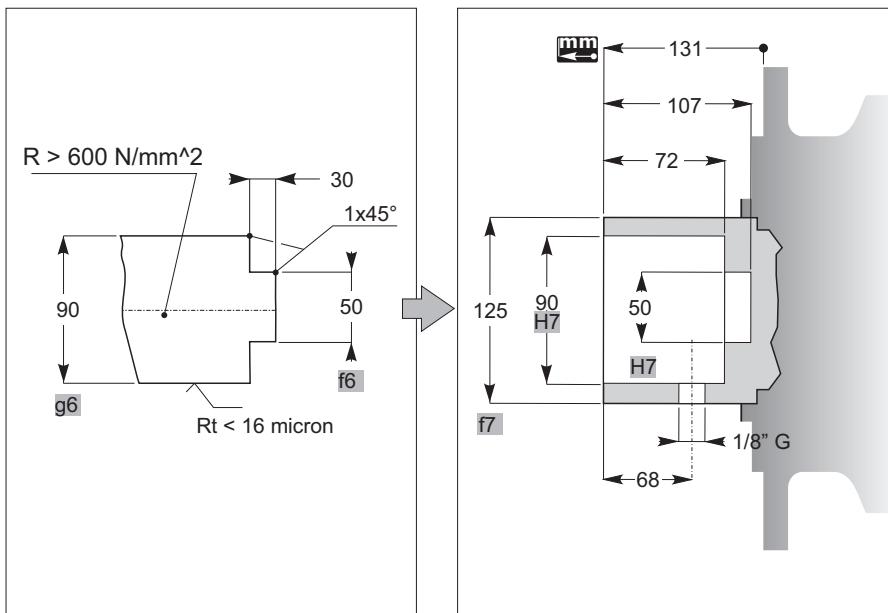
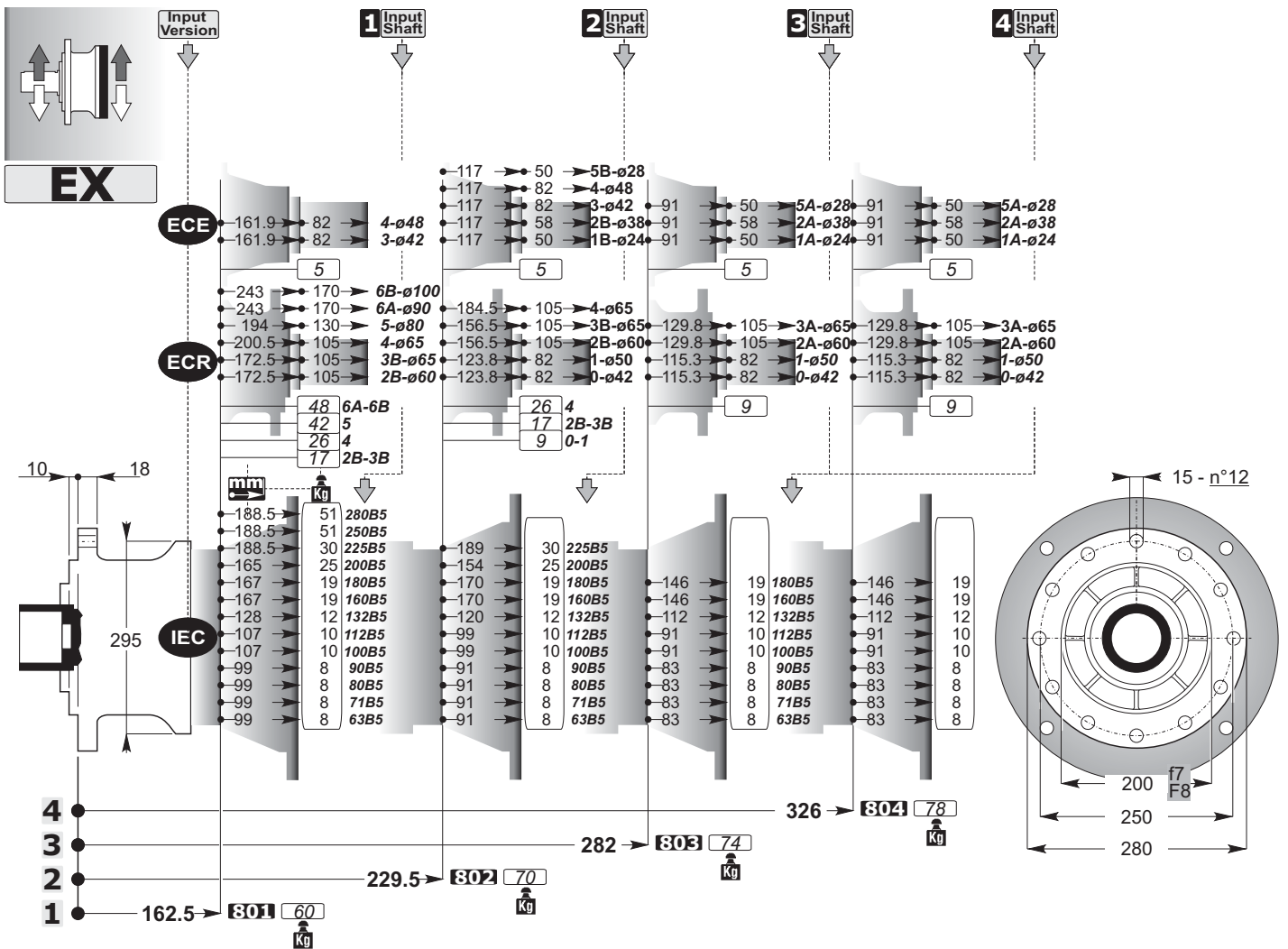




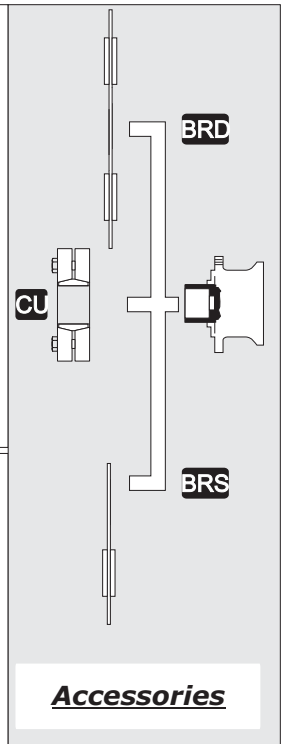
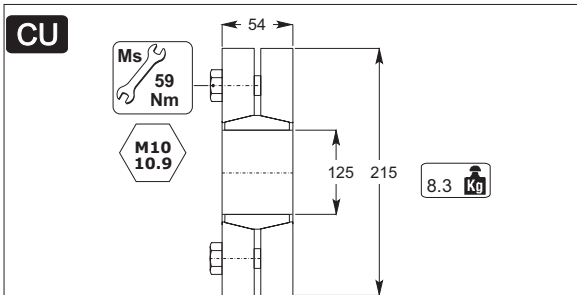
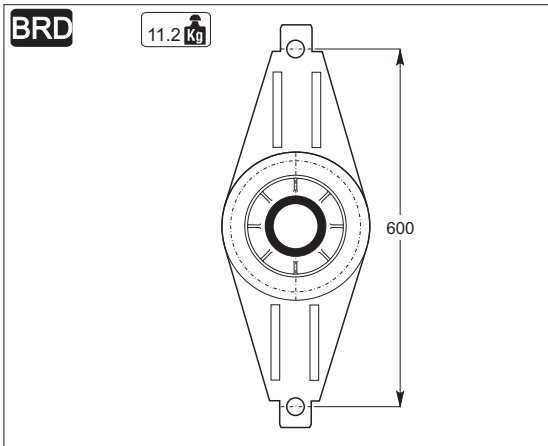
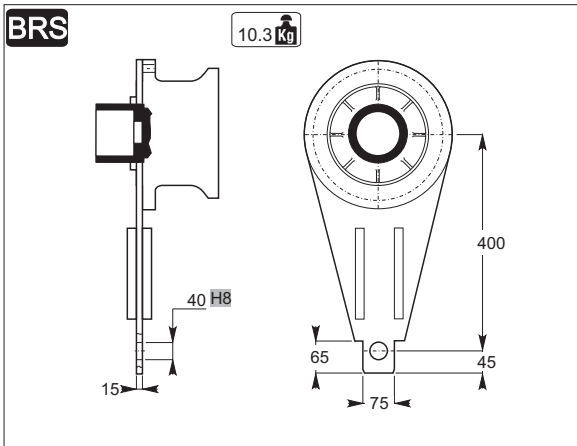
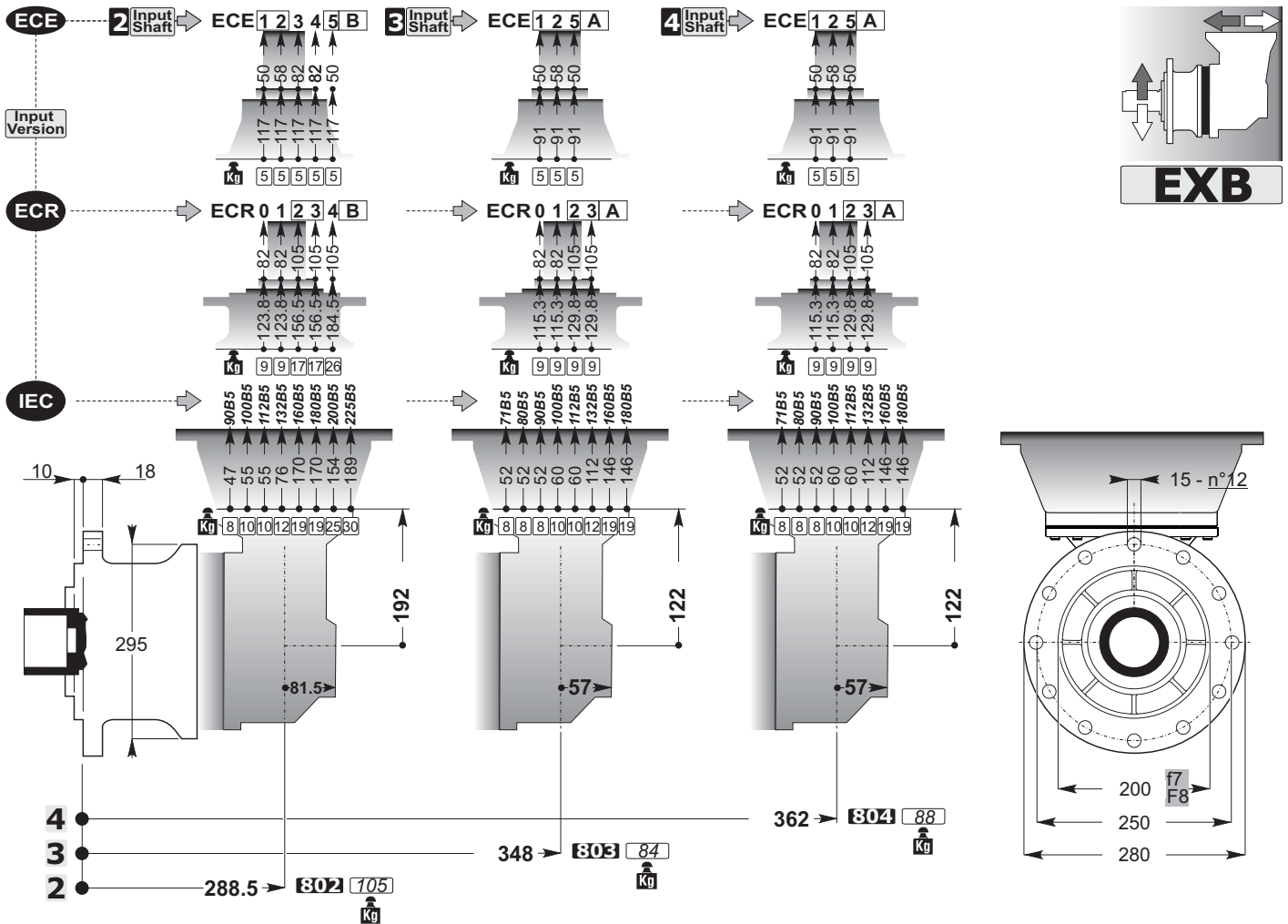








**Output Shafts**



mm  
**C**