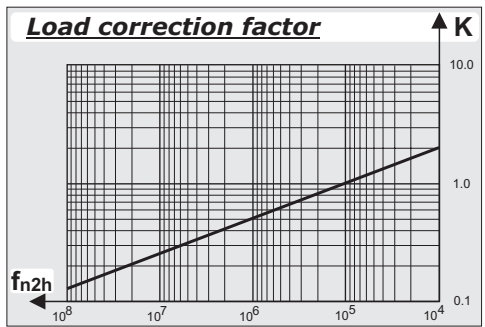
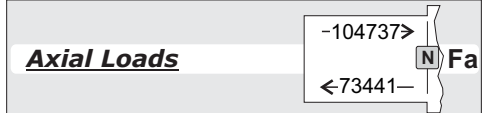
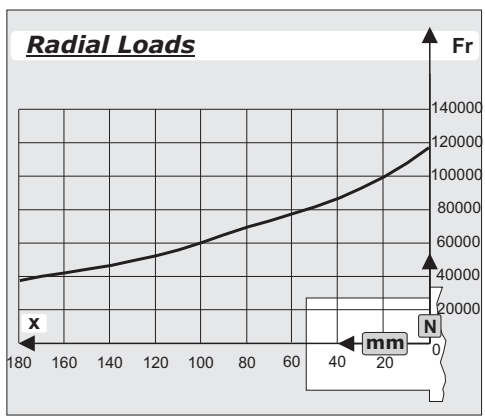
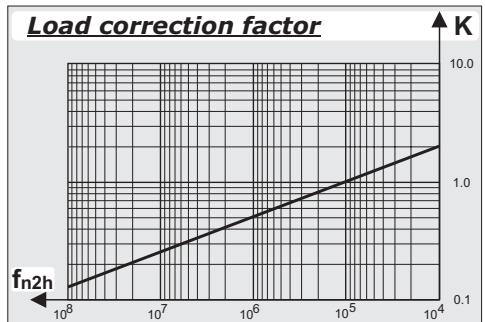
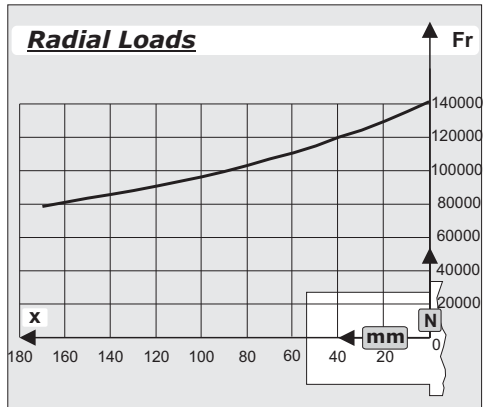
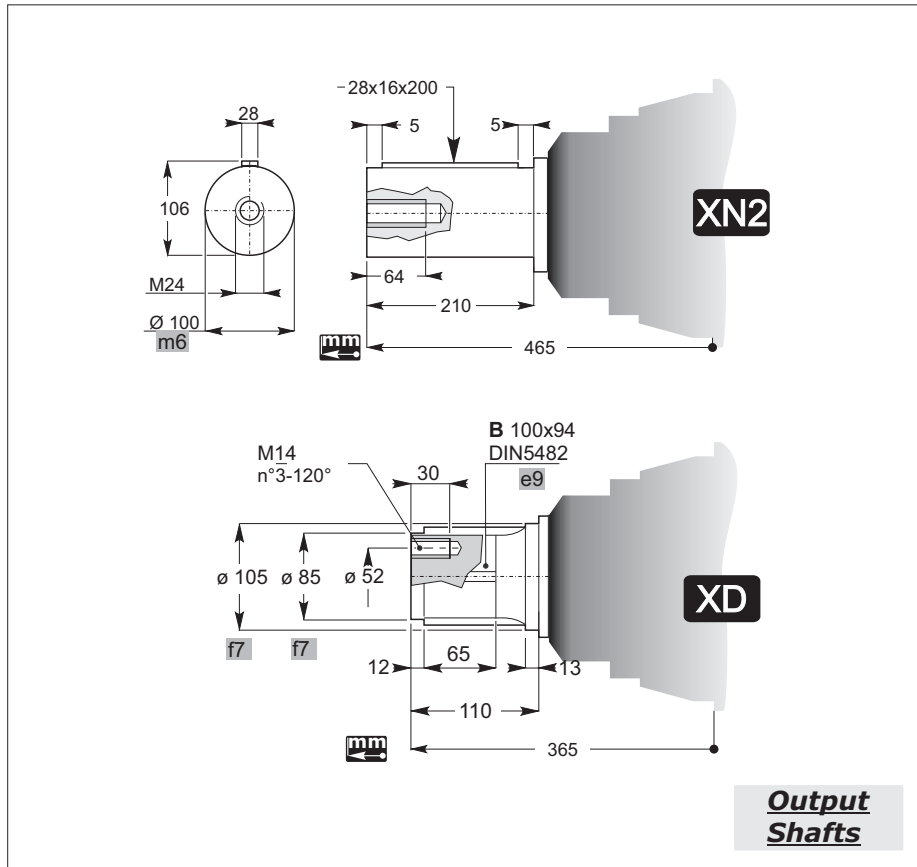
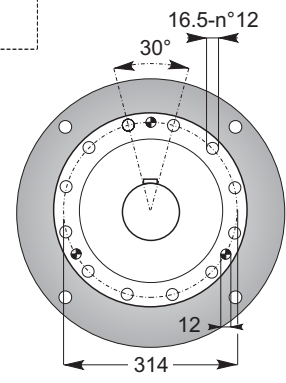
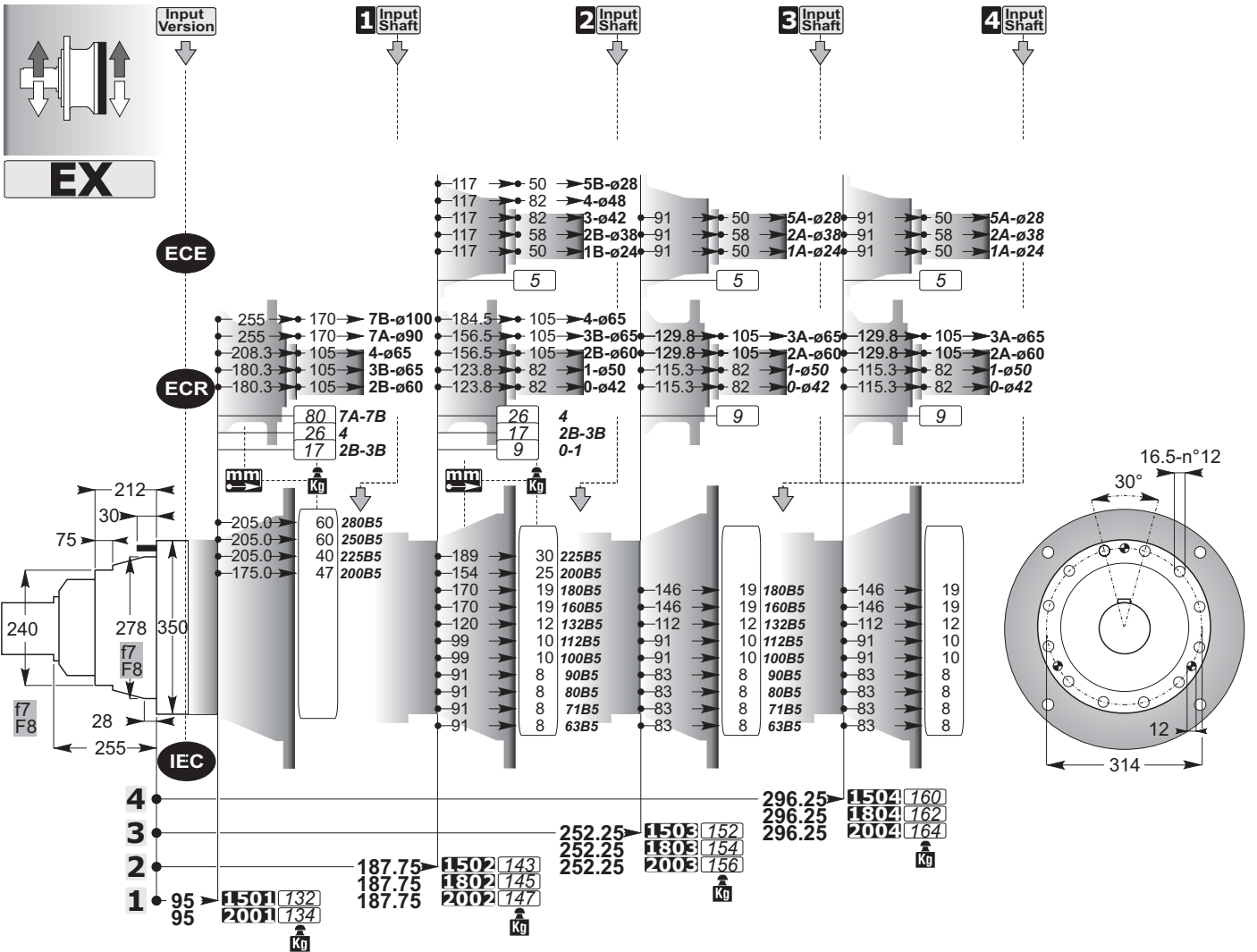
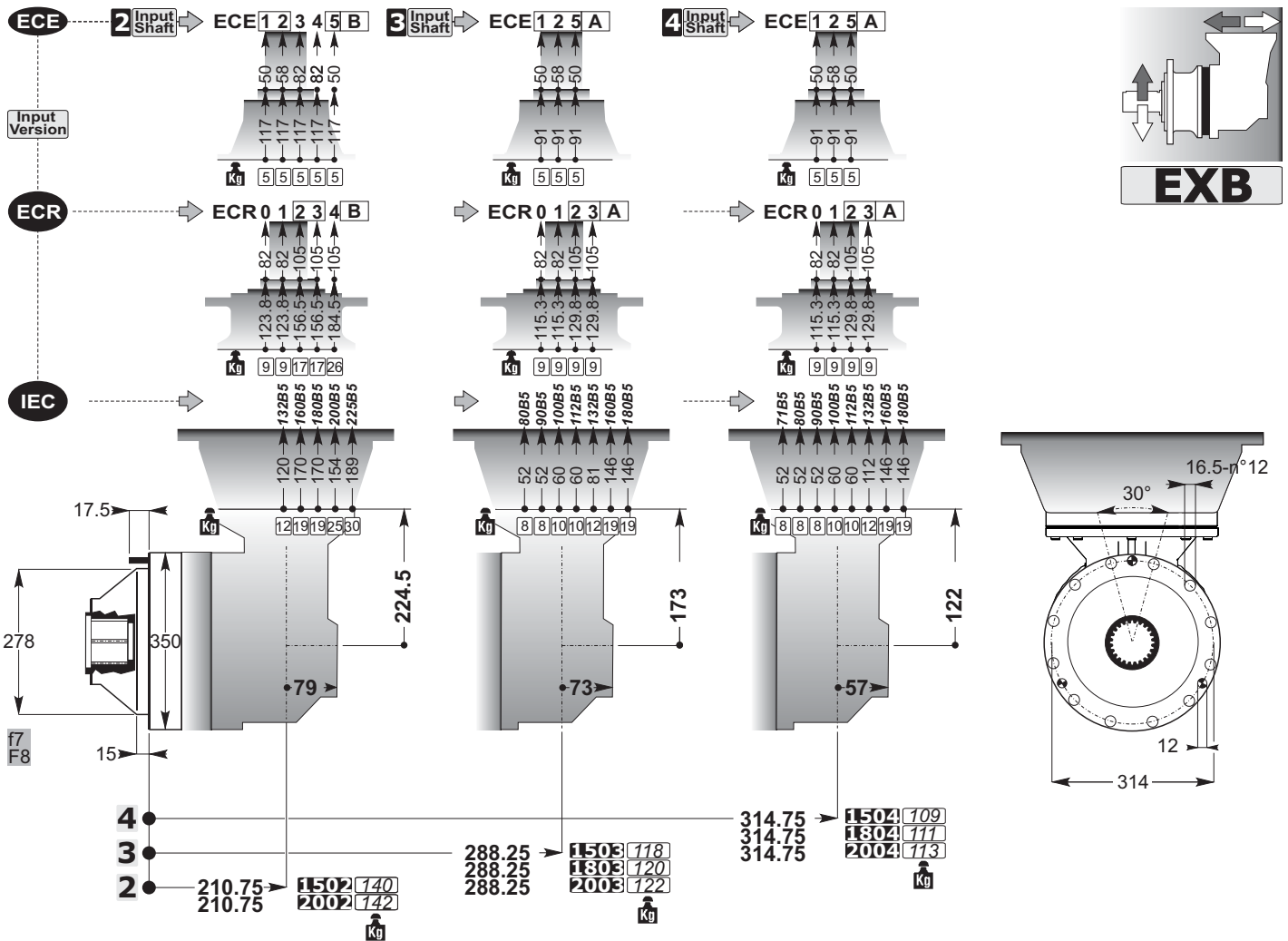


Output Shafts







SD

10.9 Kg

B 80x74
DIN5482

300

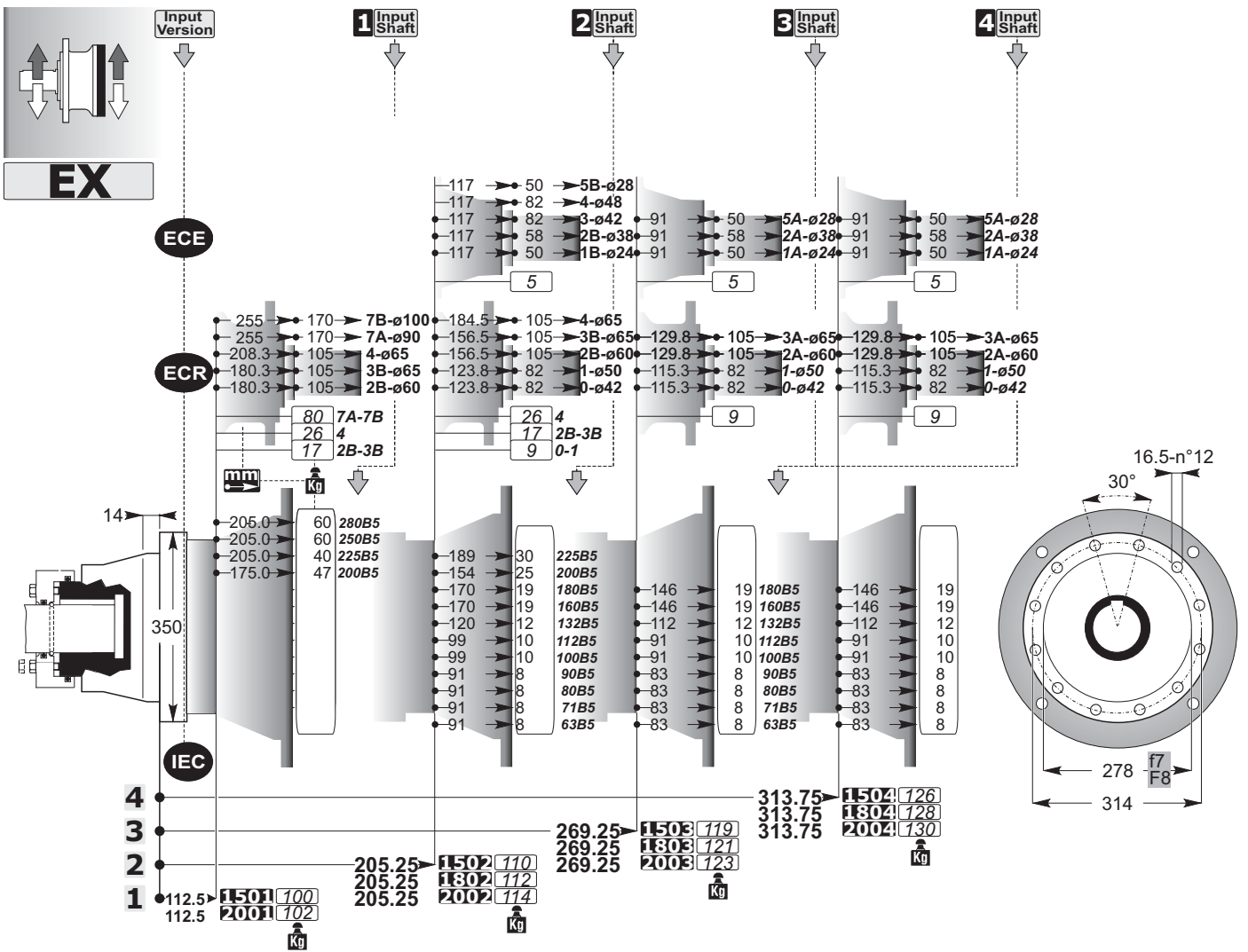


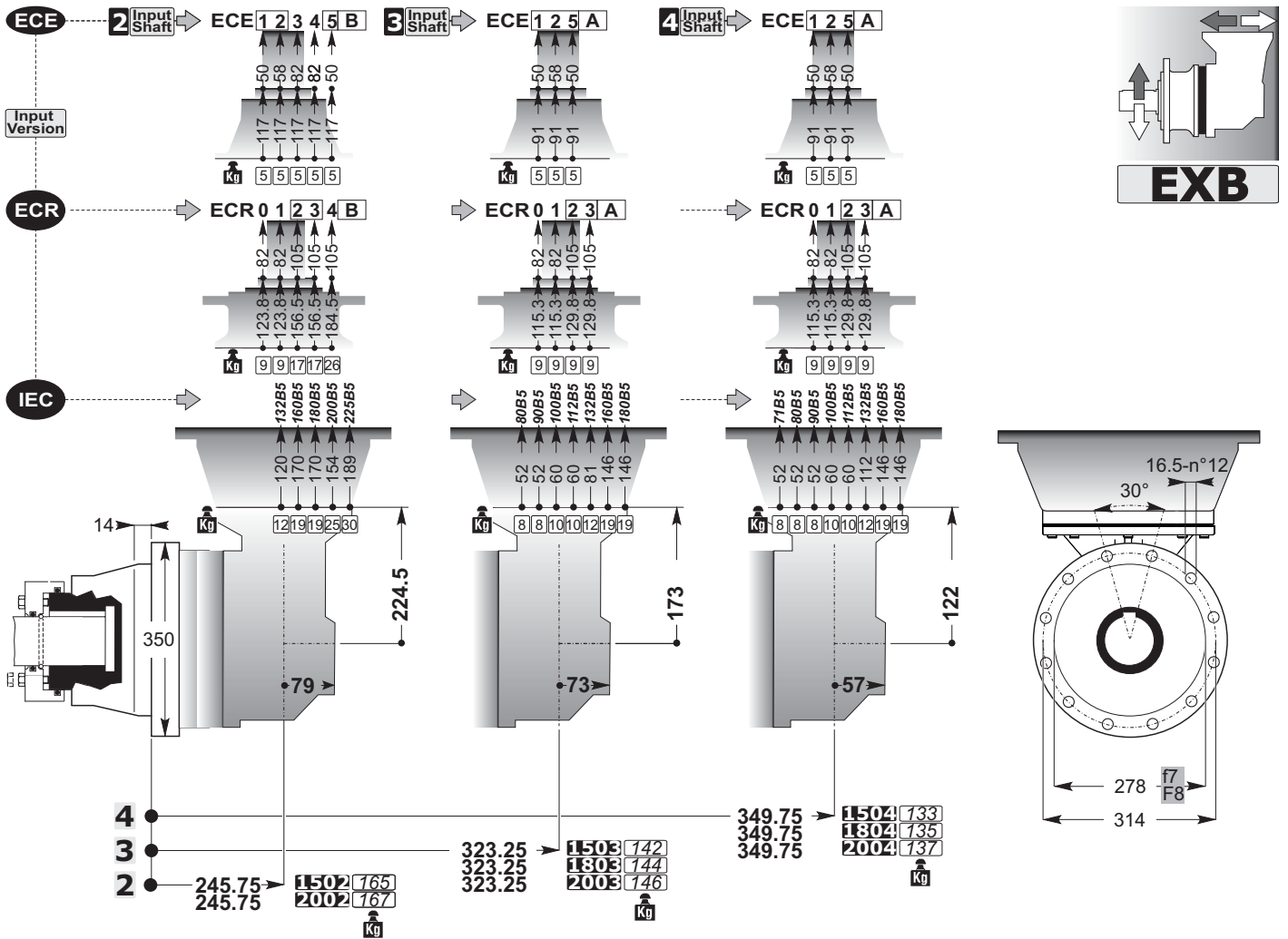
SD

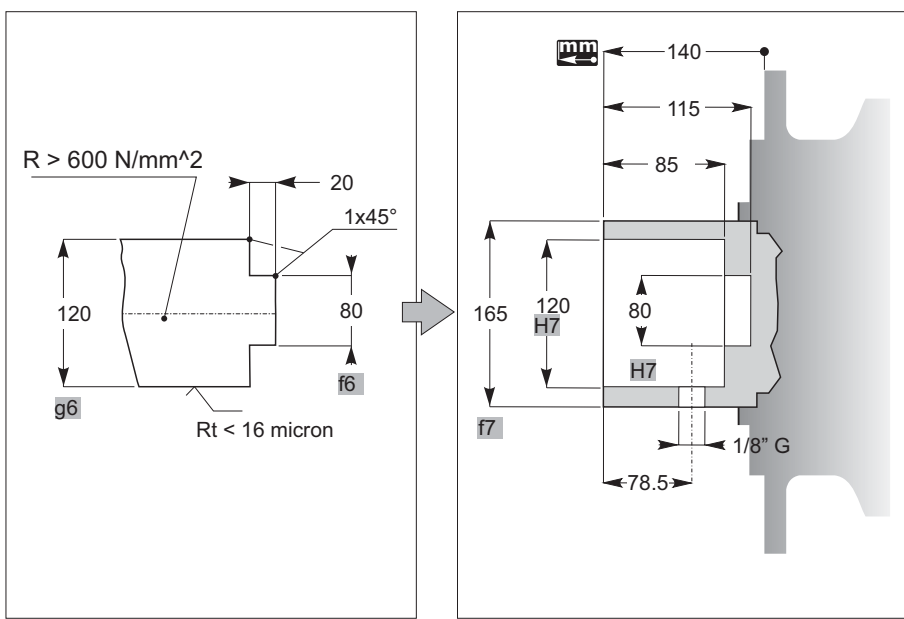
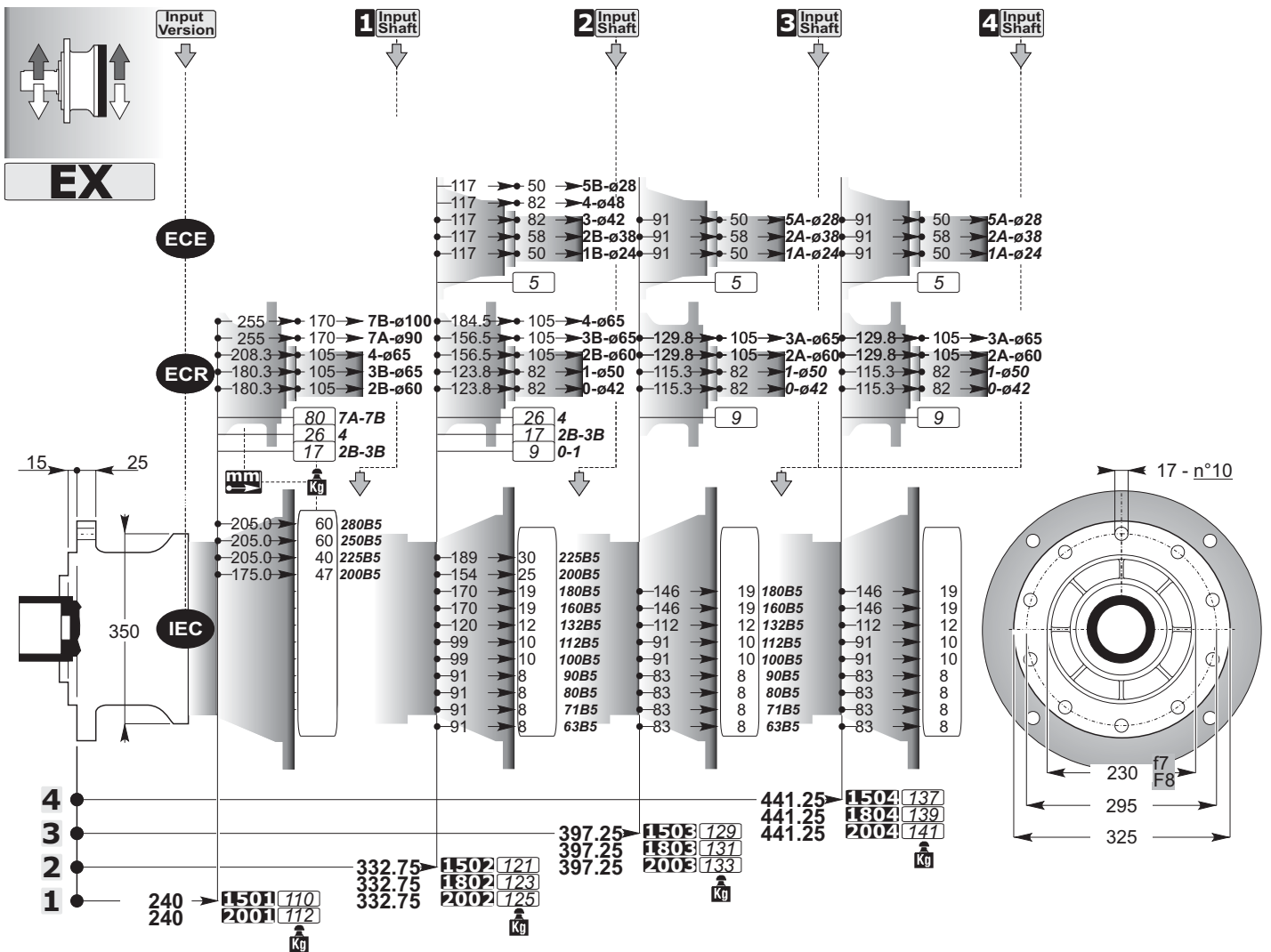


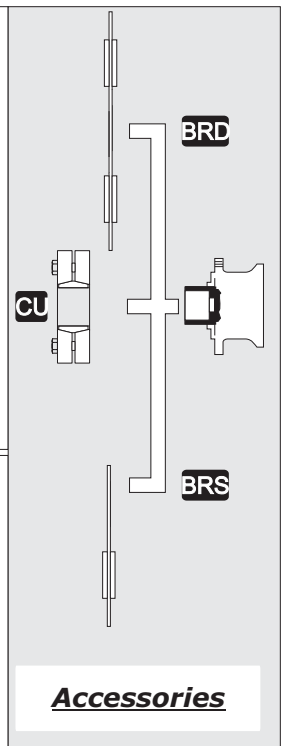
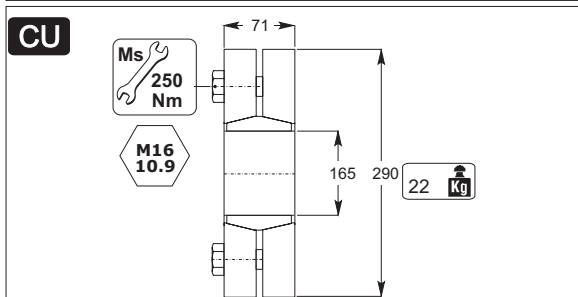
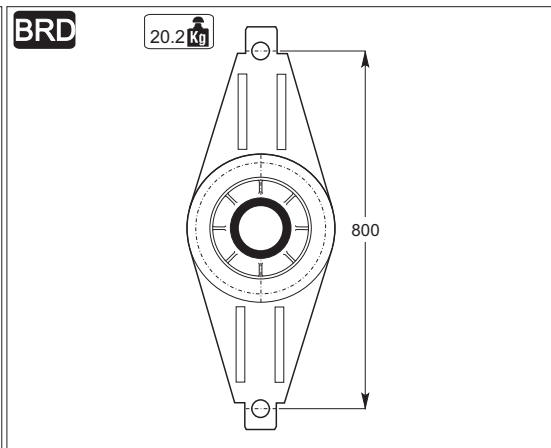
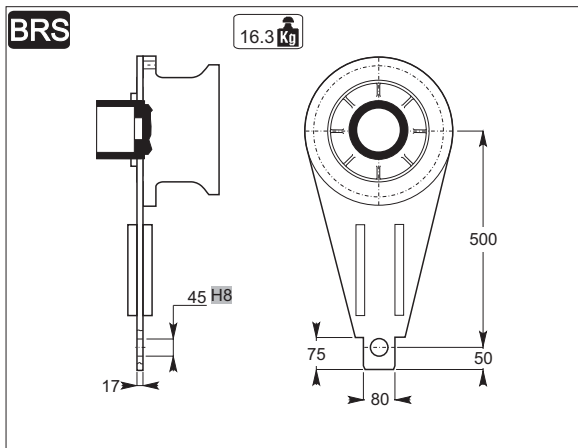
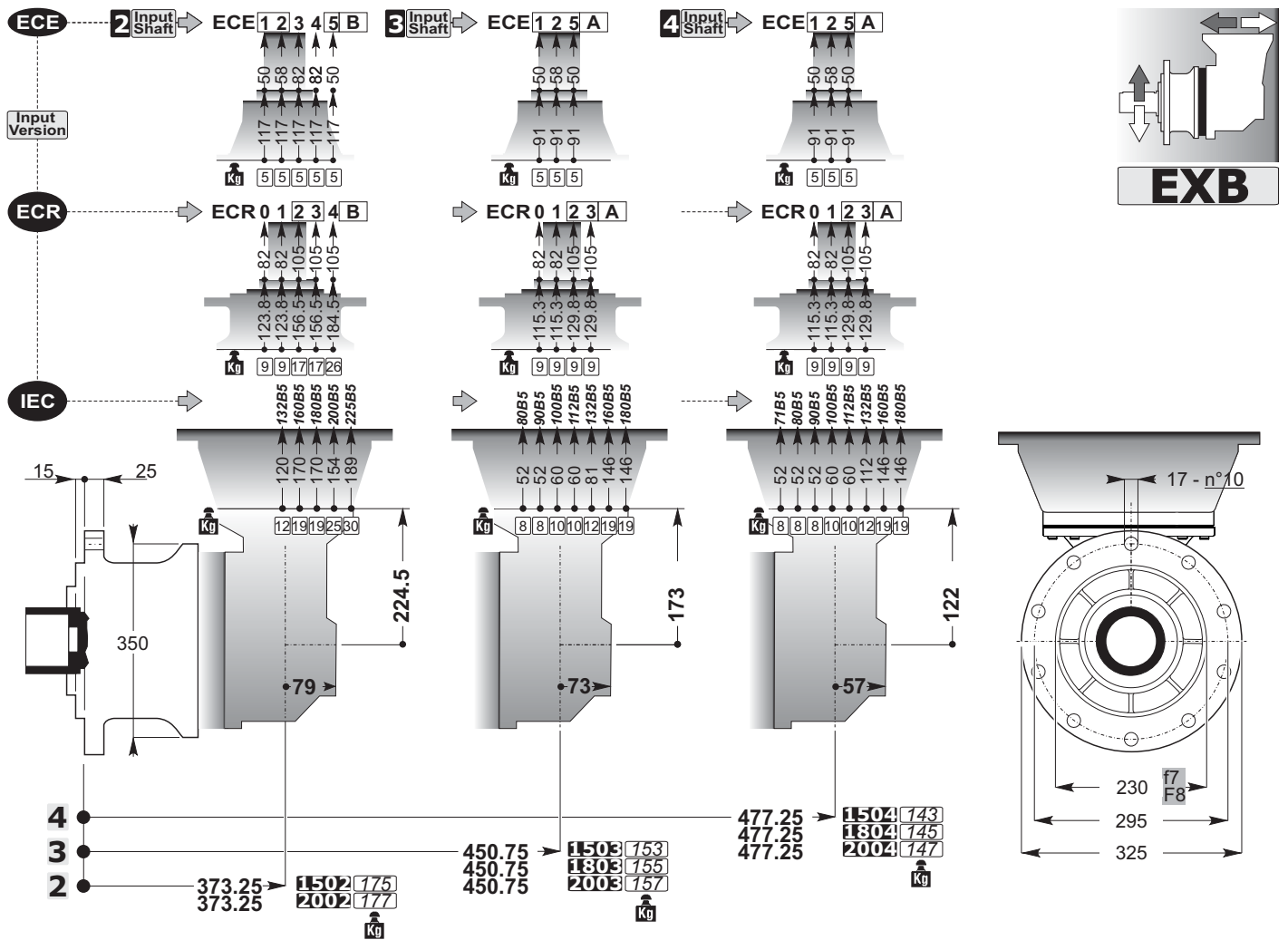
Accessories

mm
C

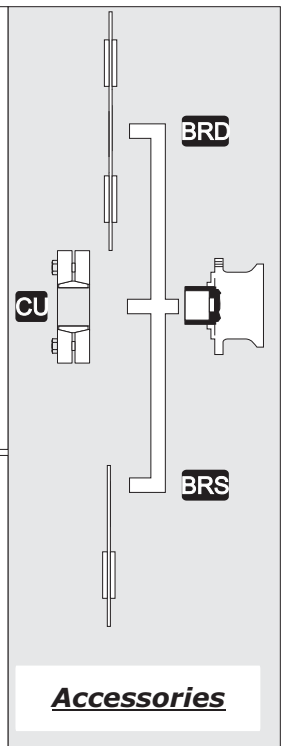
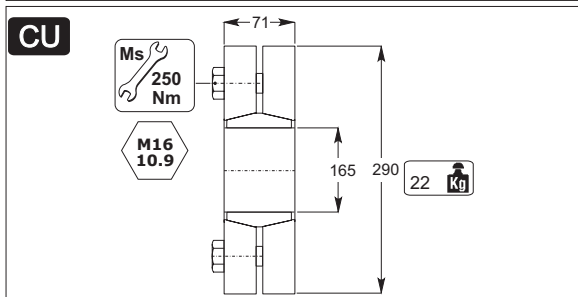
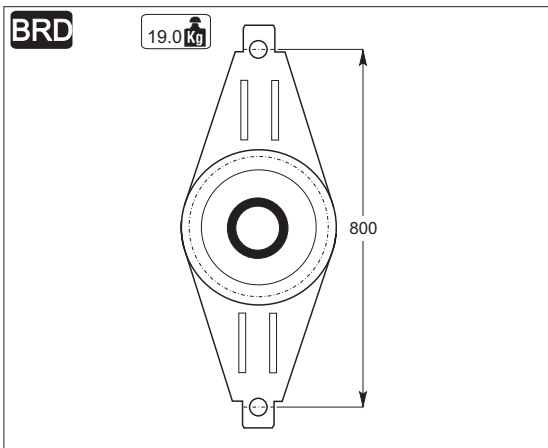
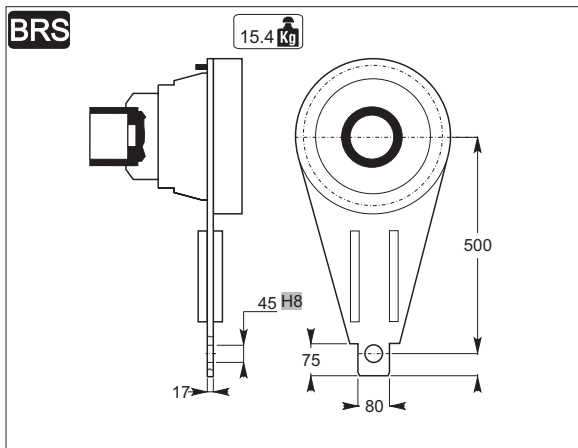
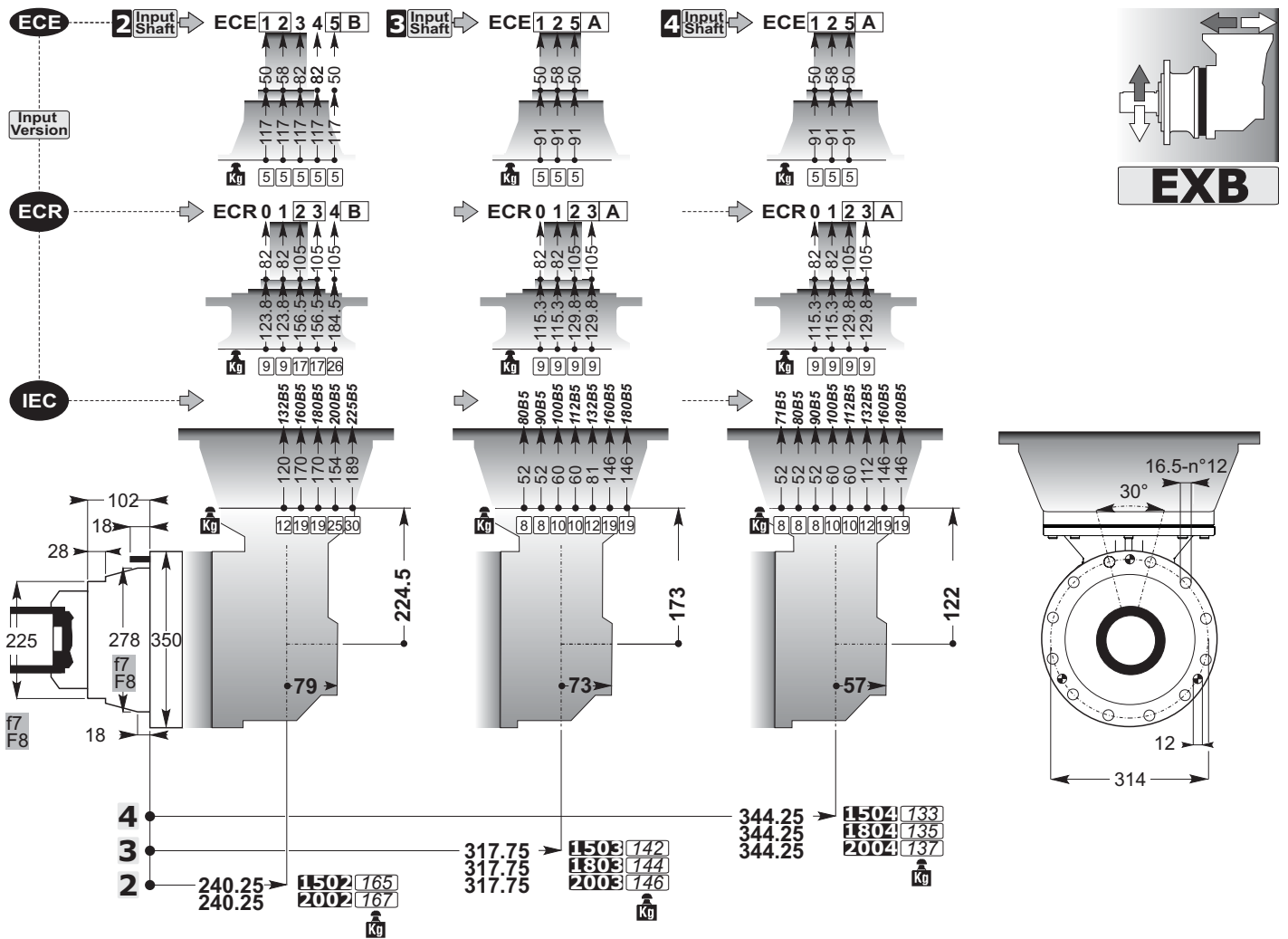








mm
C



mm
C

