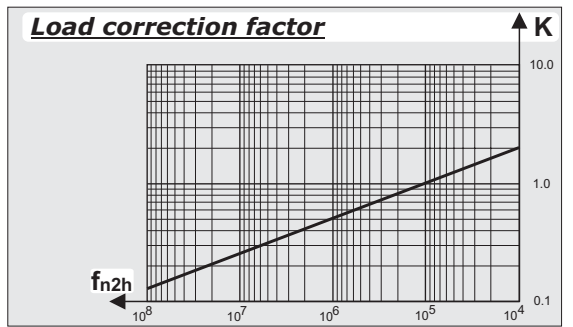
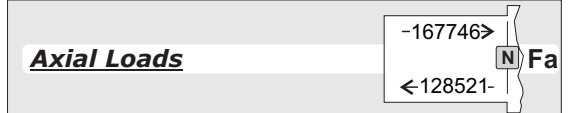
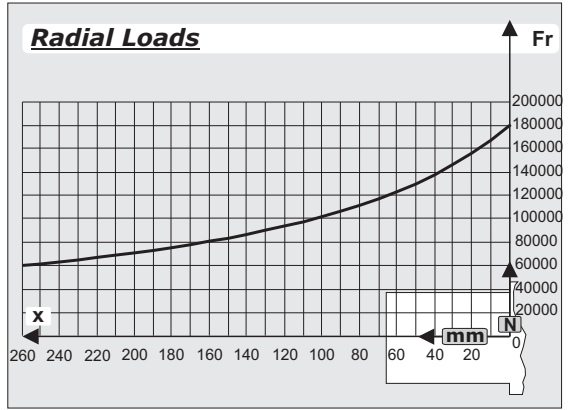
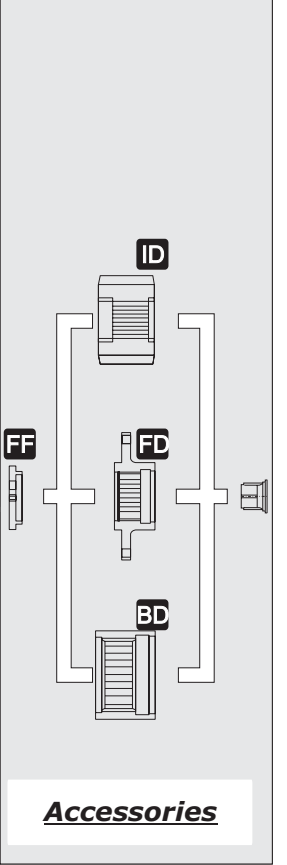
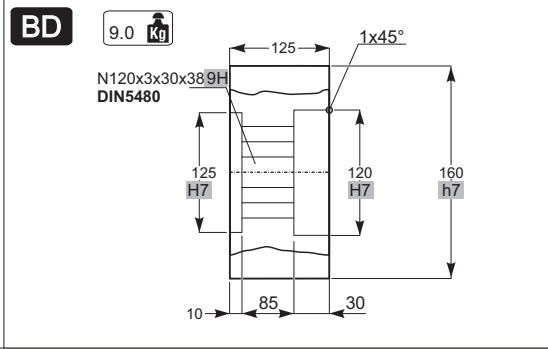
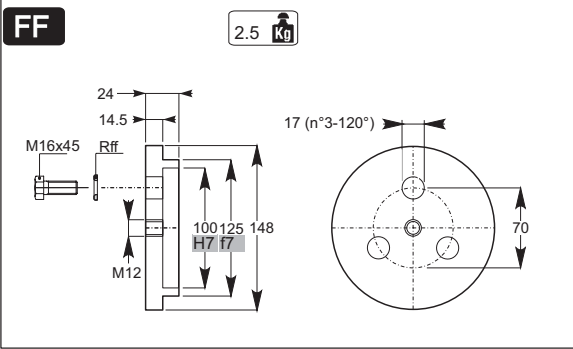
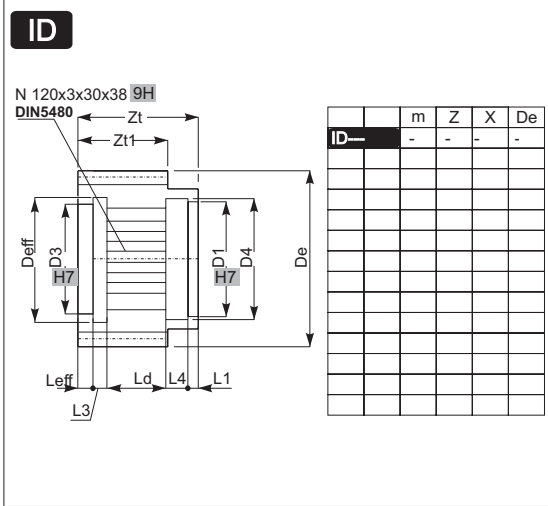
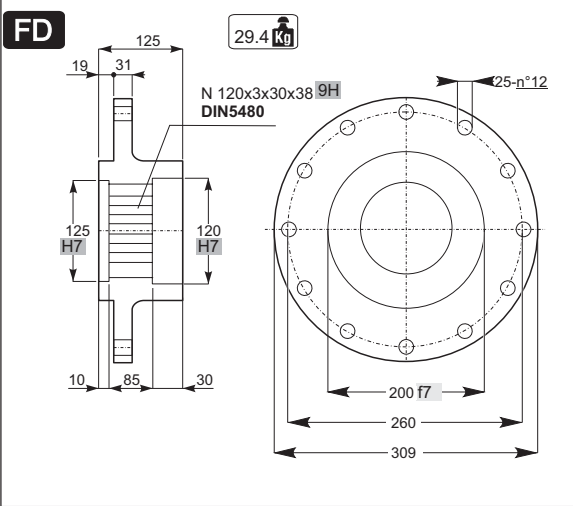
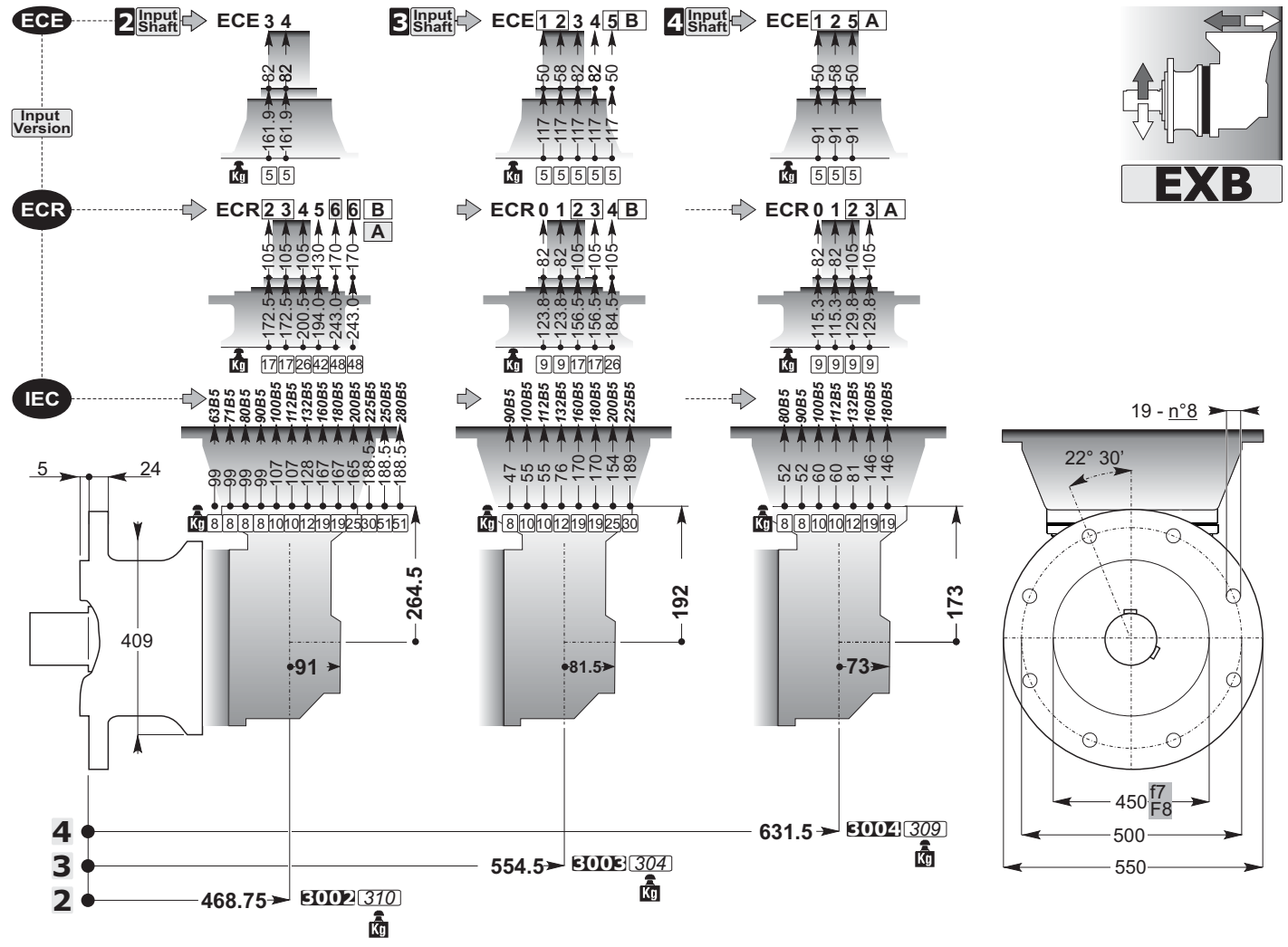
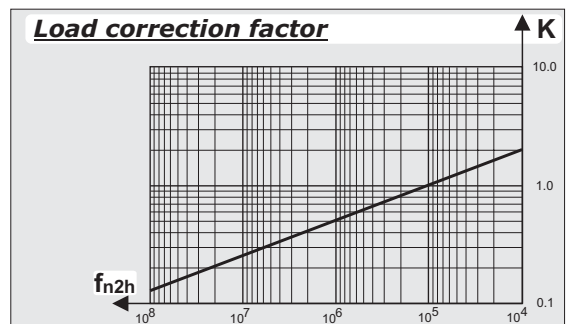
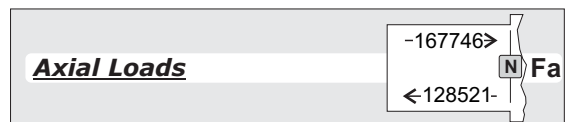
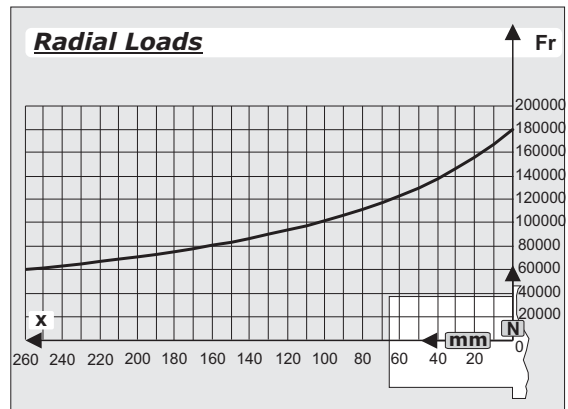
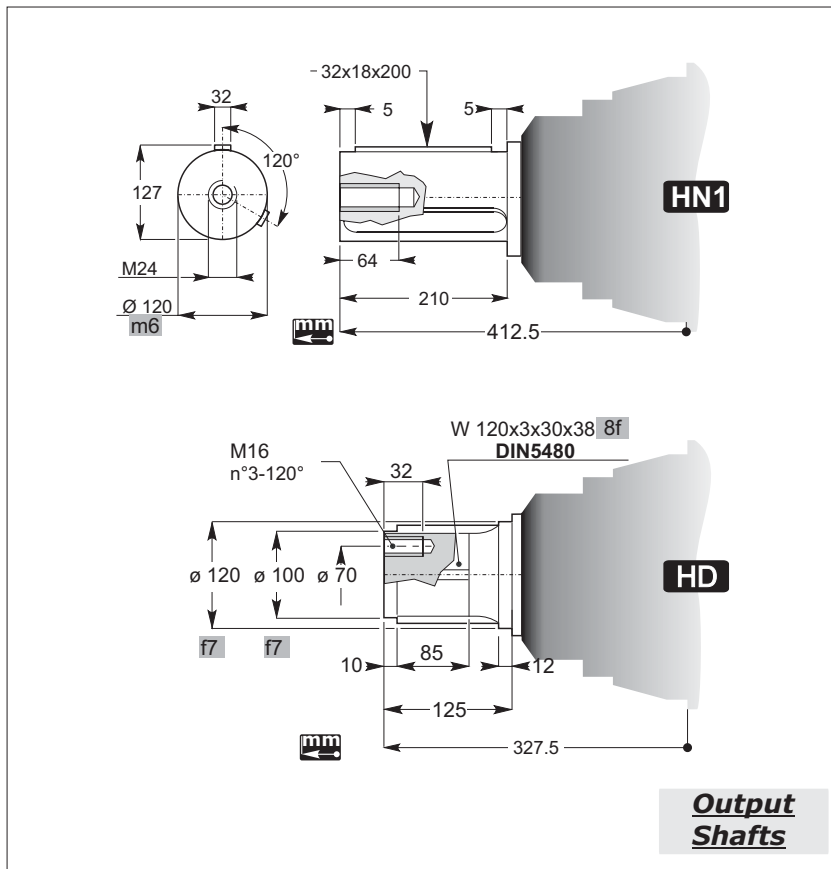
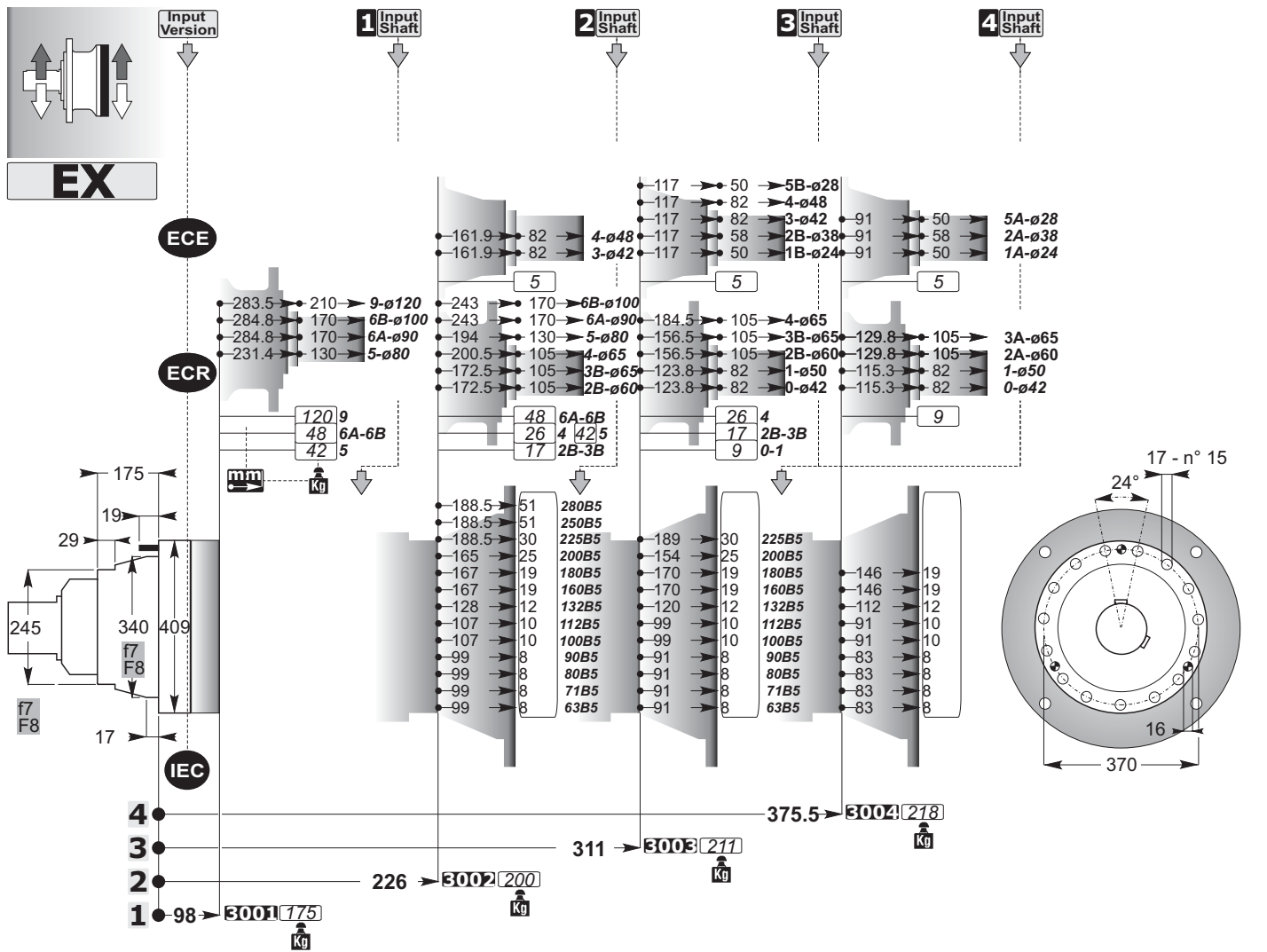


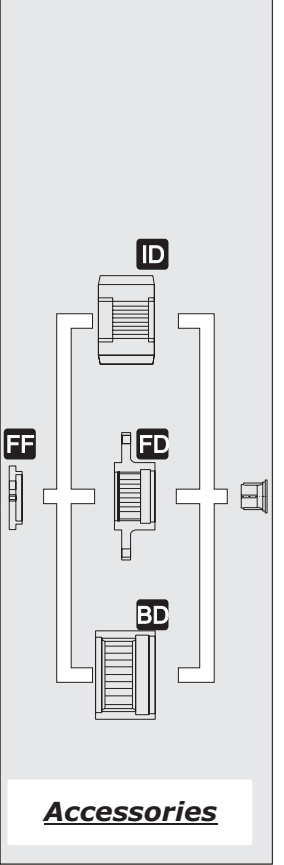
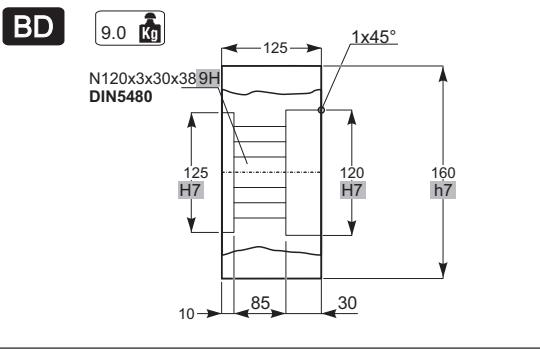
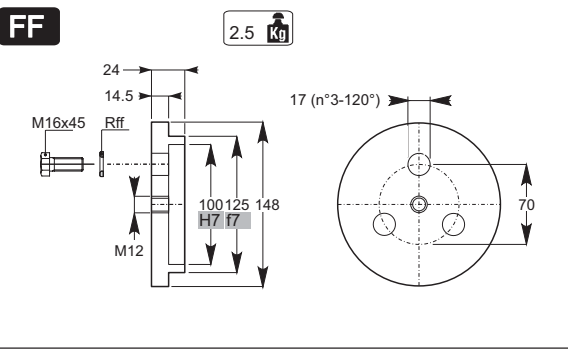
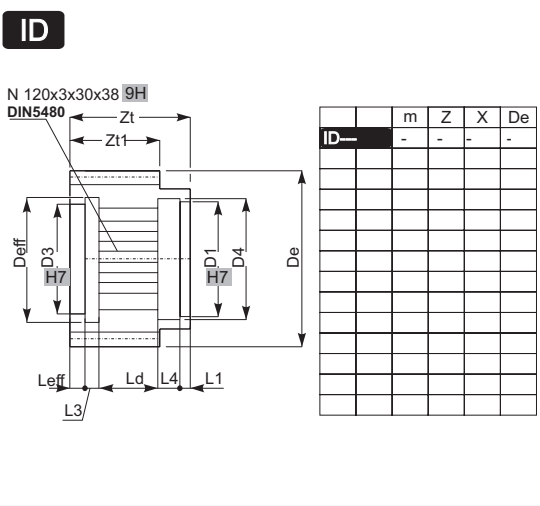
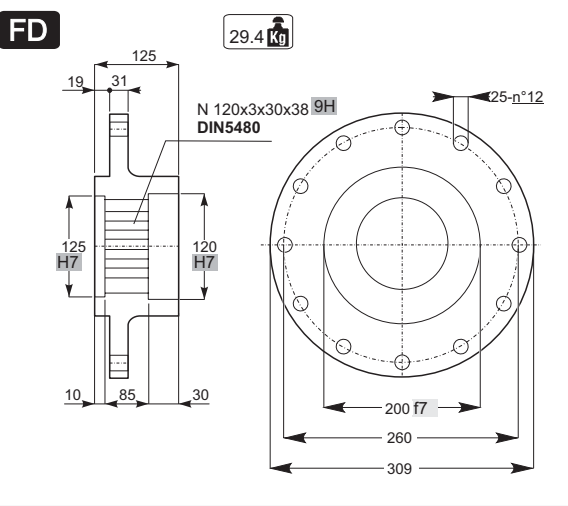
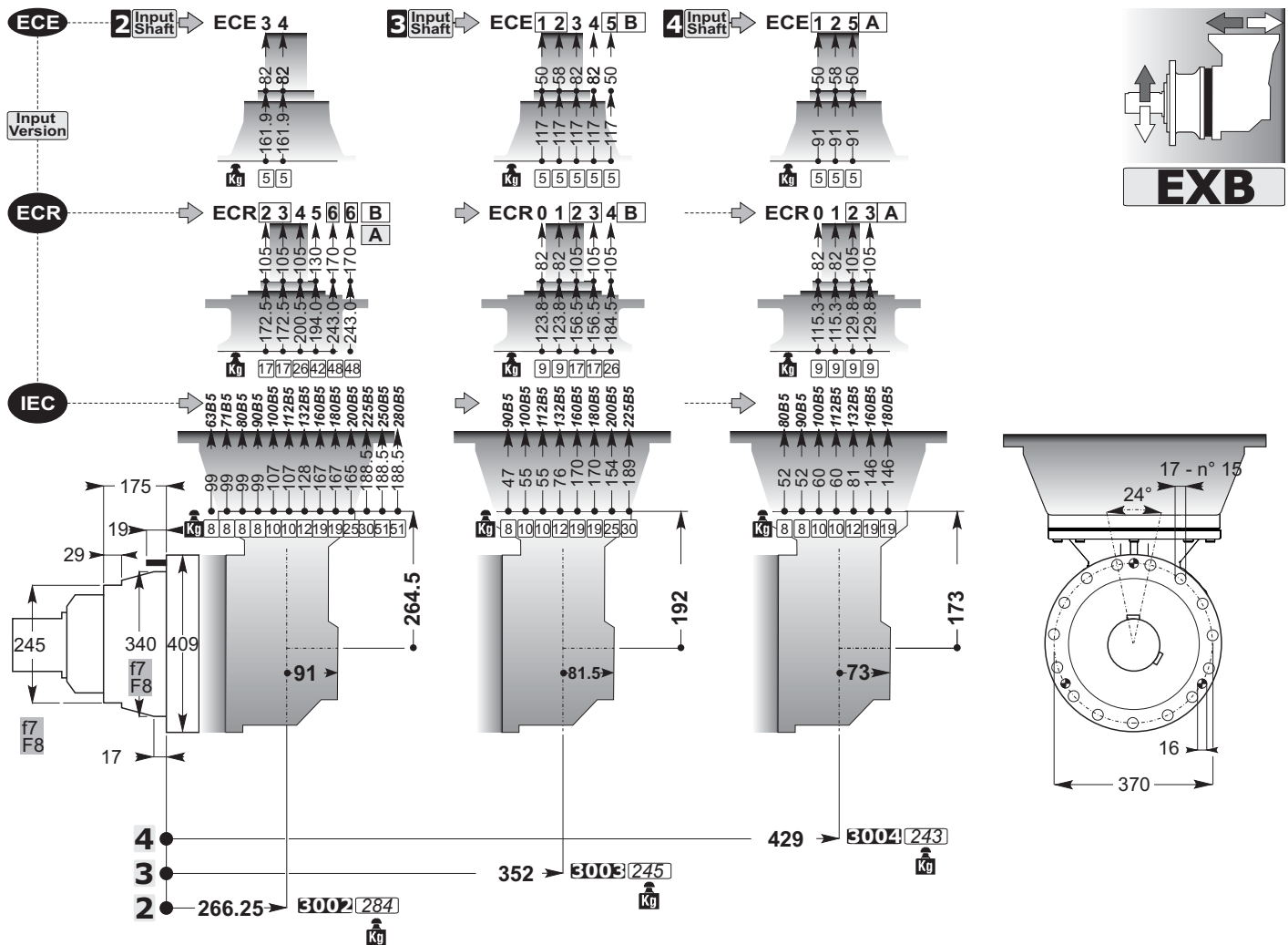
**Output Shafts**



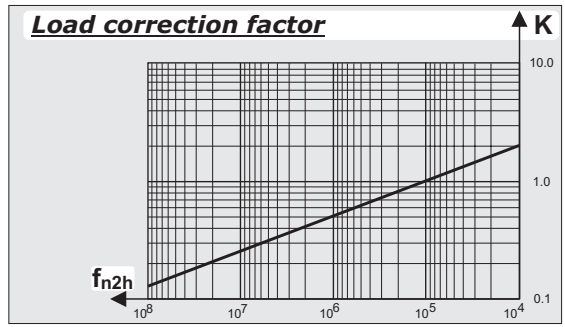
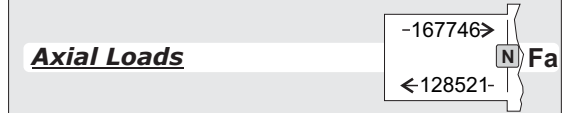
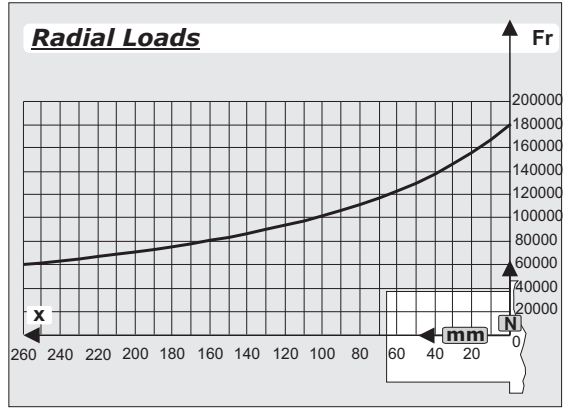
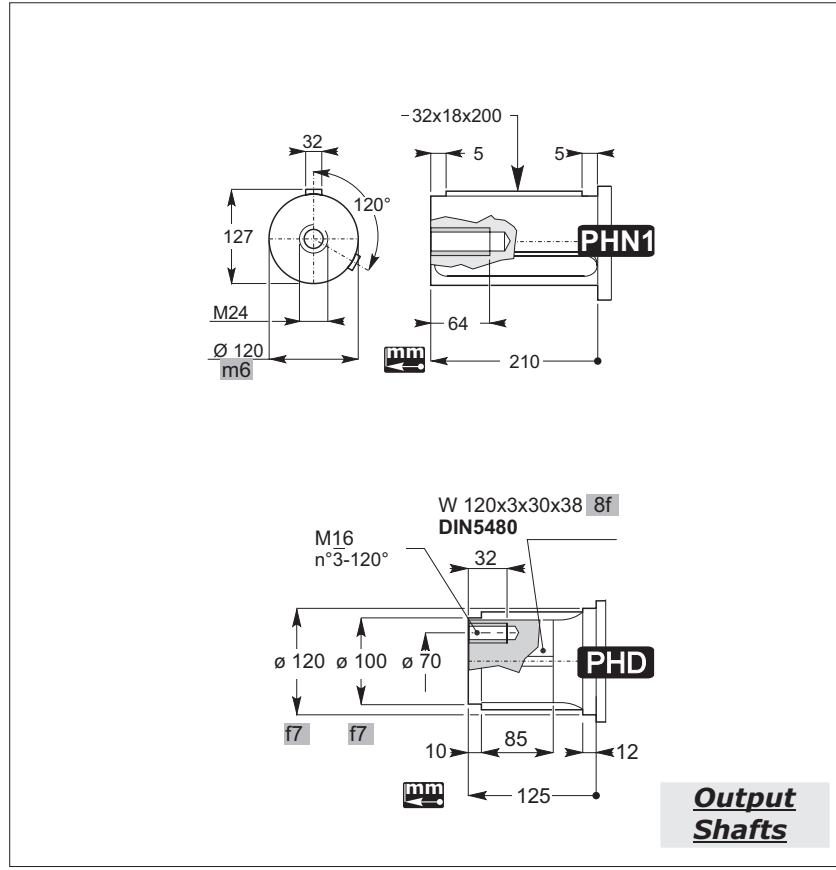
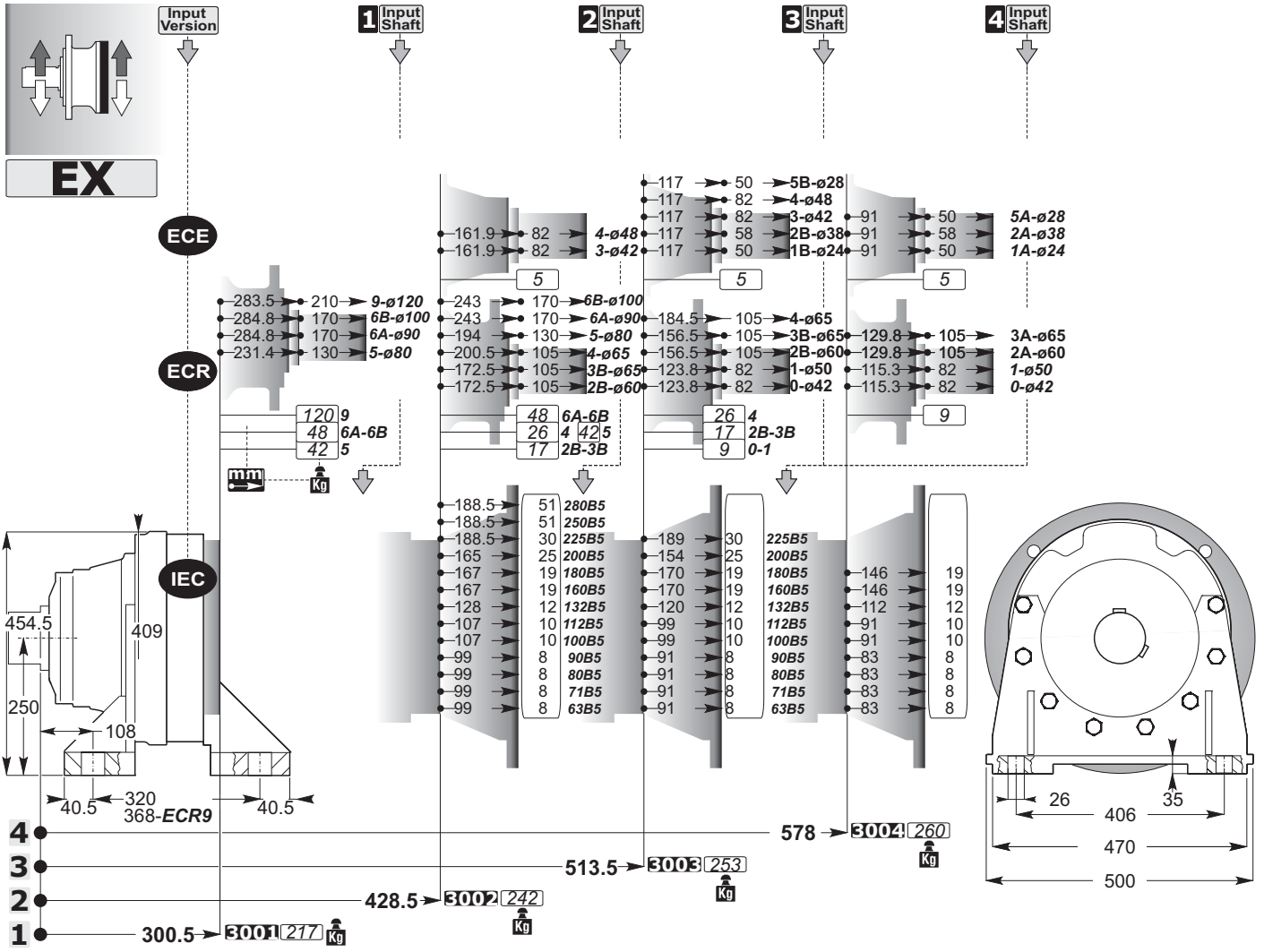


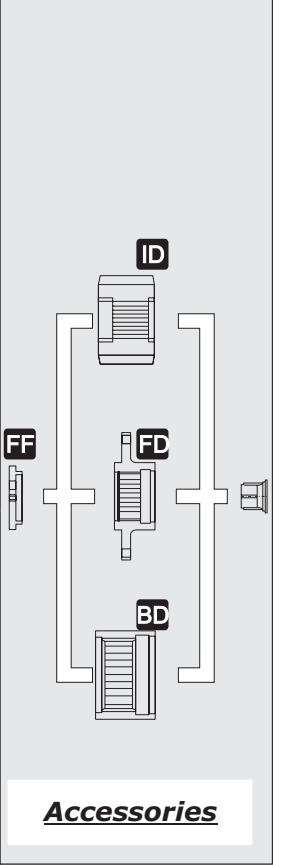
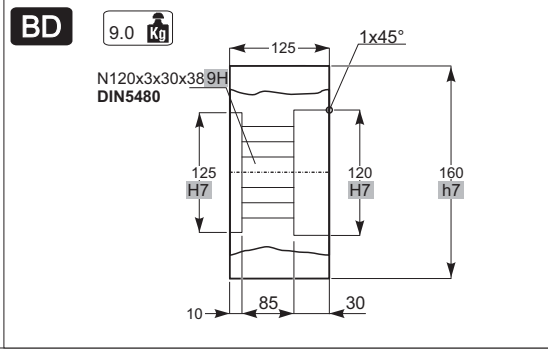
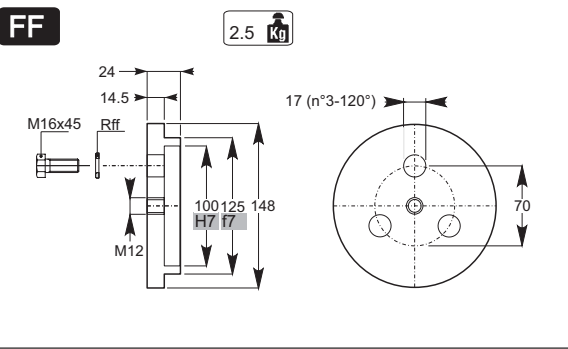
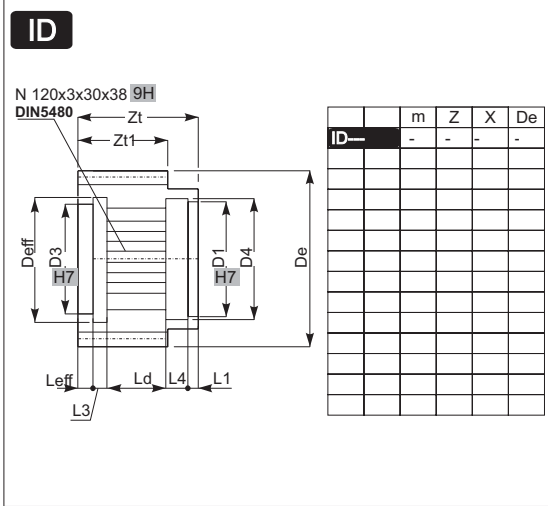
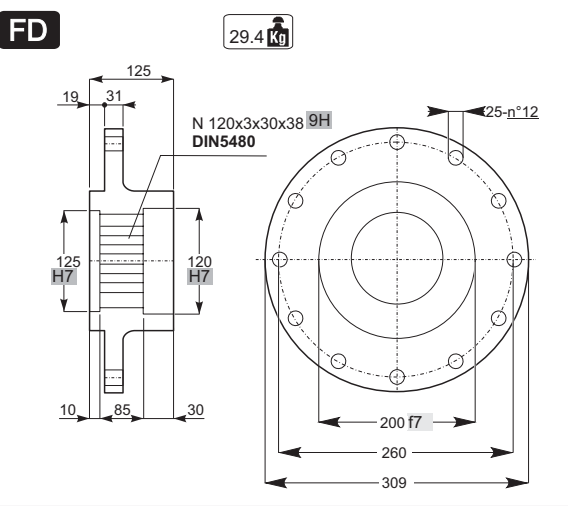
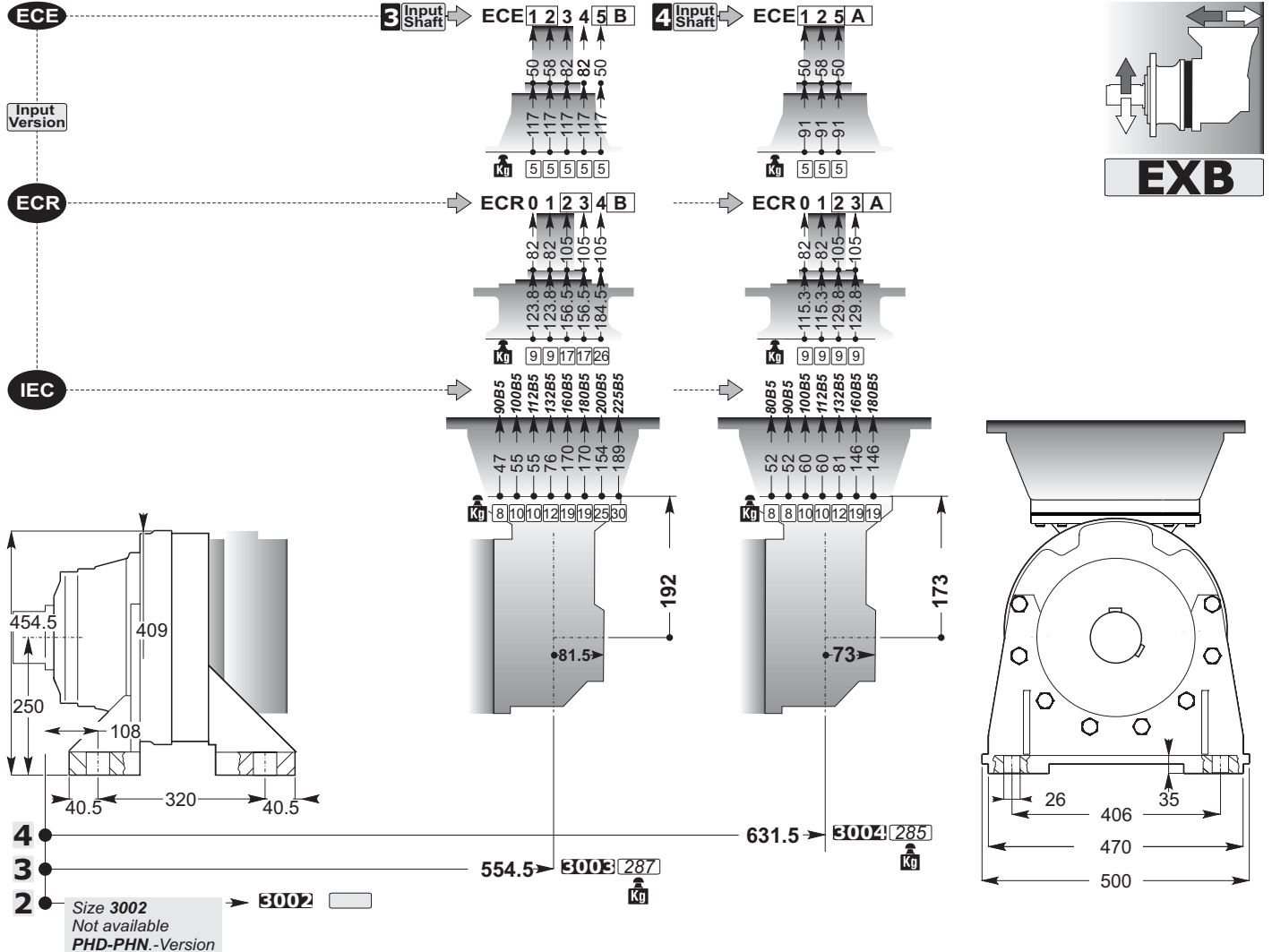
mm  
**C**



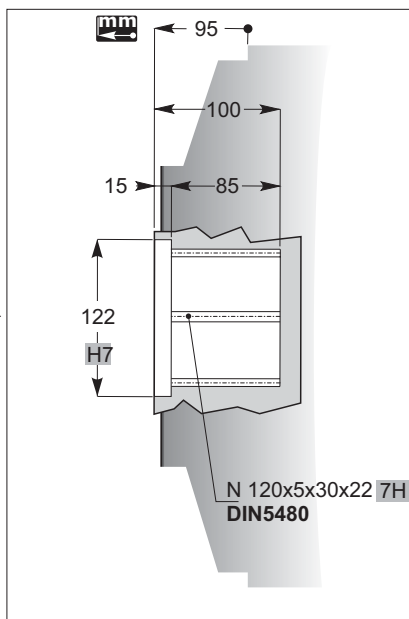
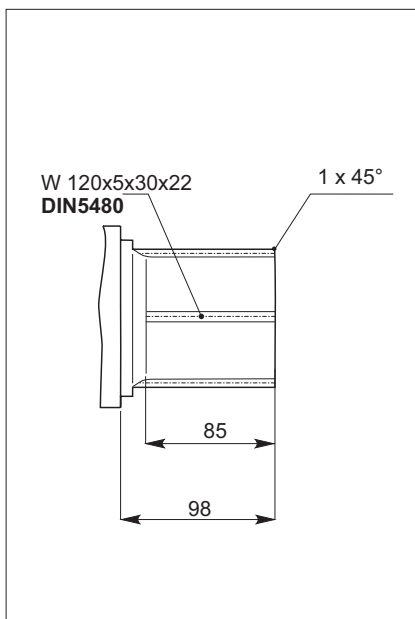
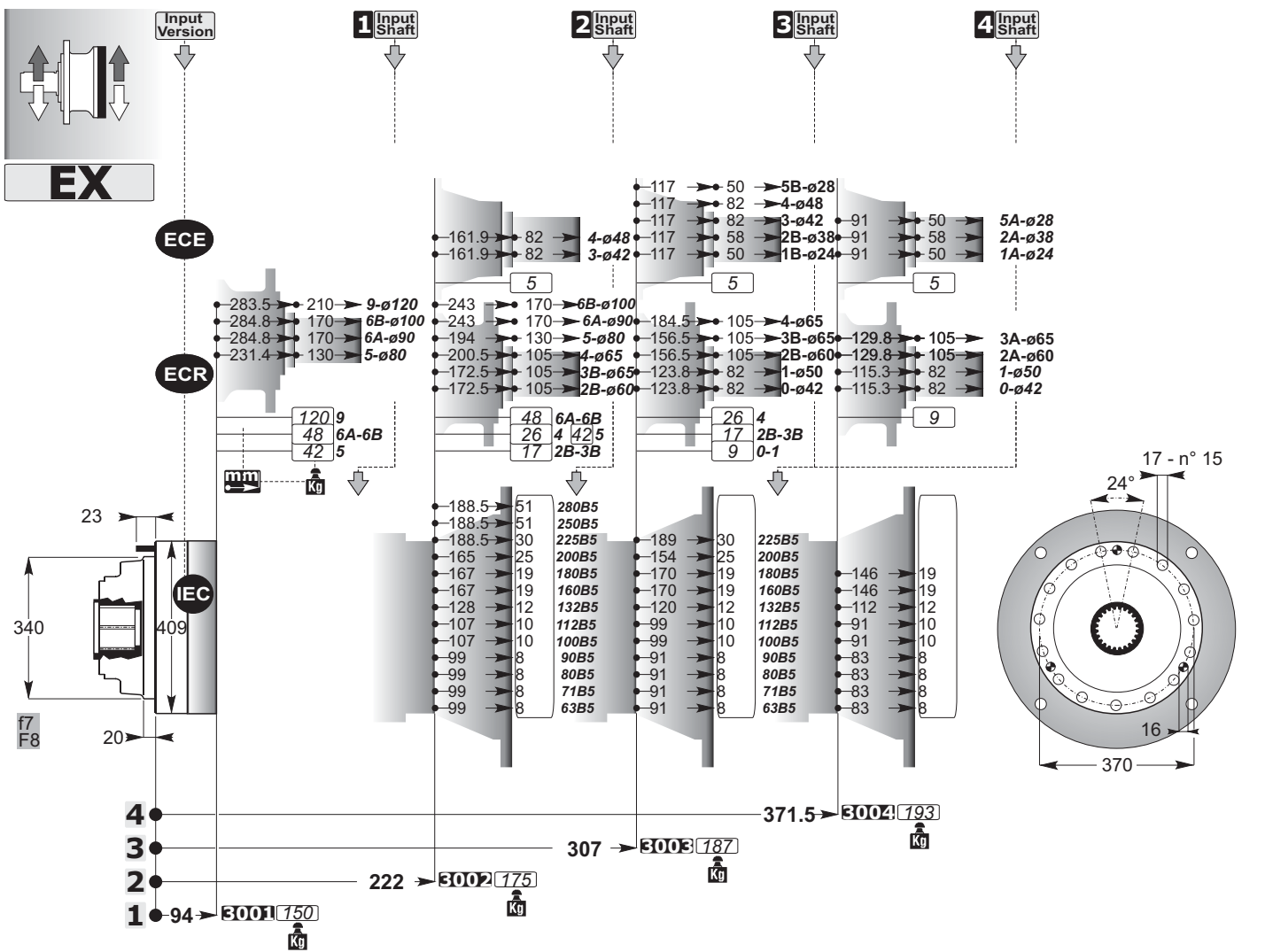


**mm**  
**C**

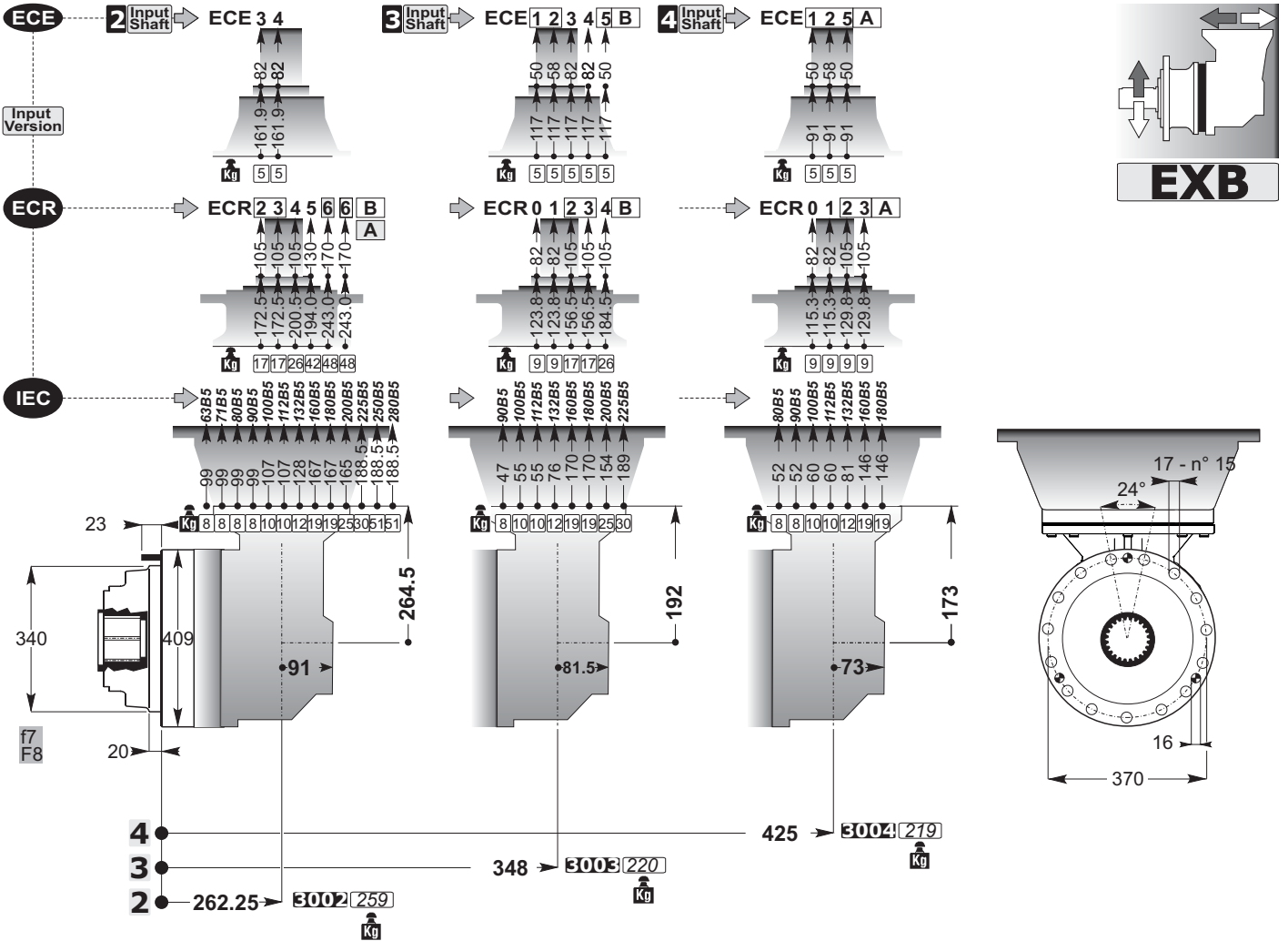




mm  
C

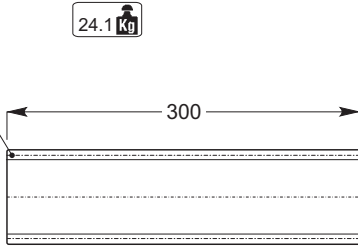


**Output Shafts**



**SD**

W 120x5x30x22  
 DIN5480

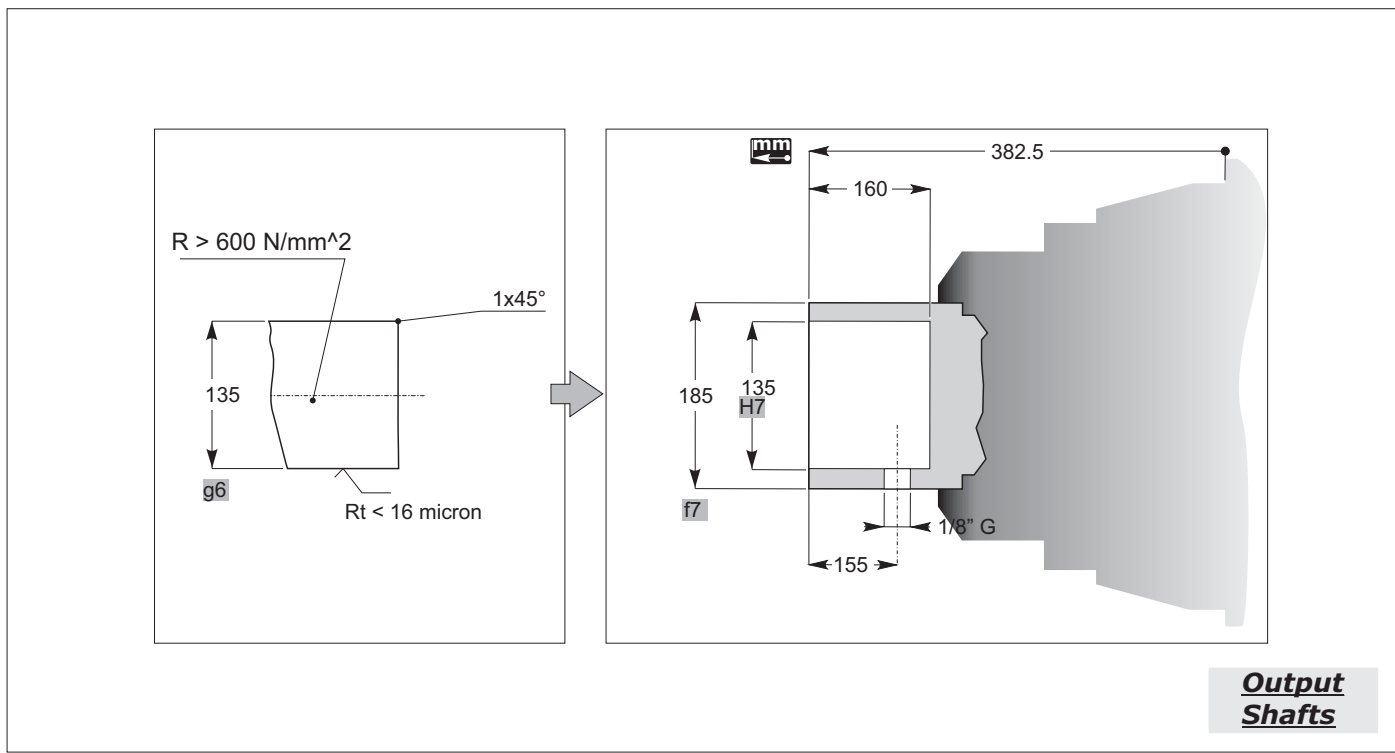
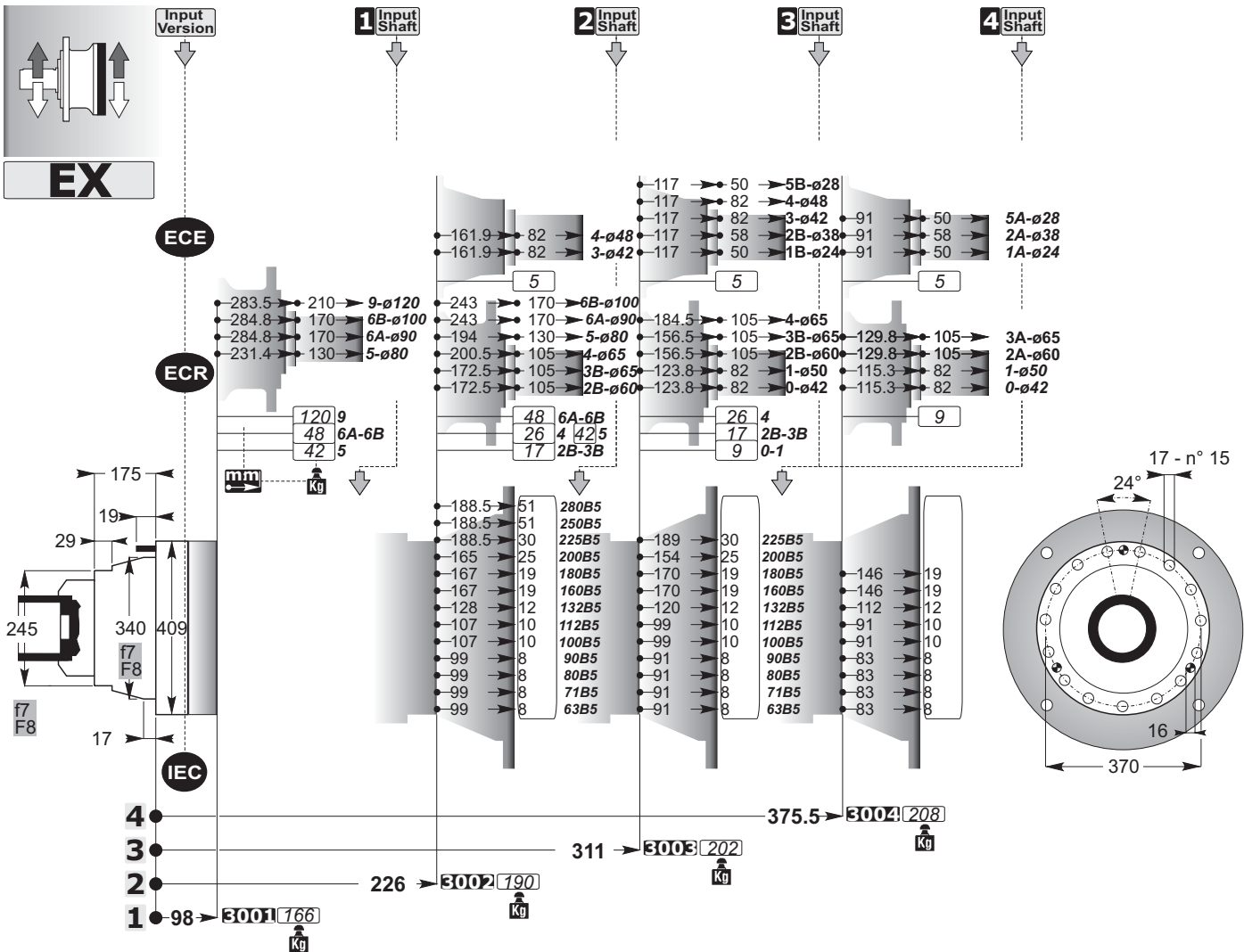


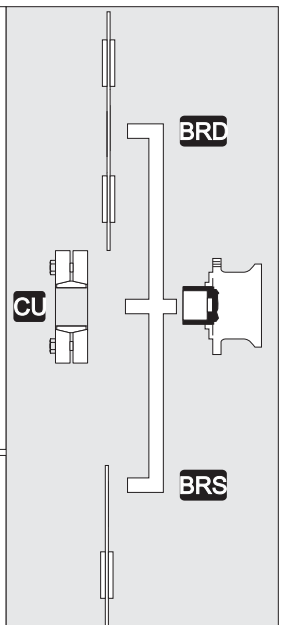
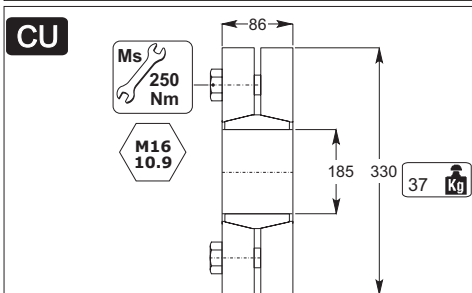
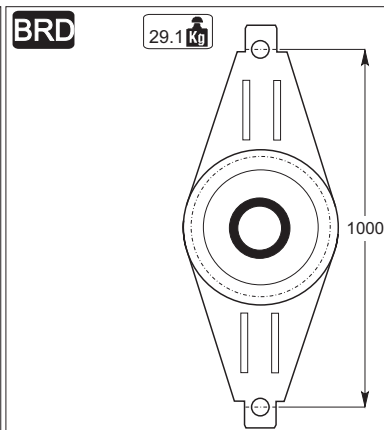
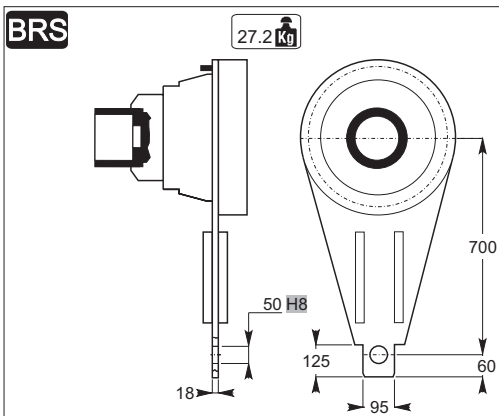
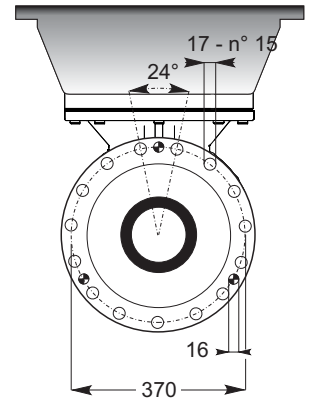
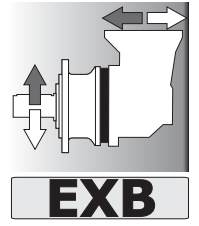
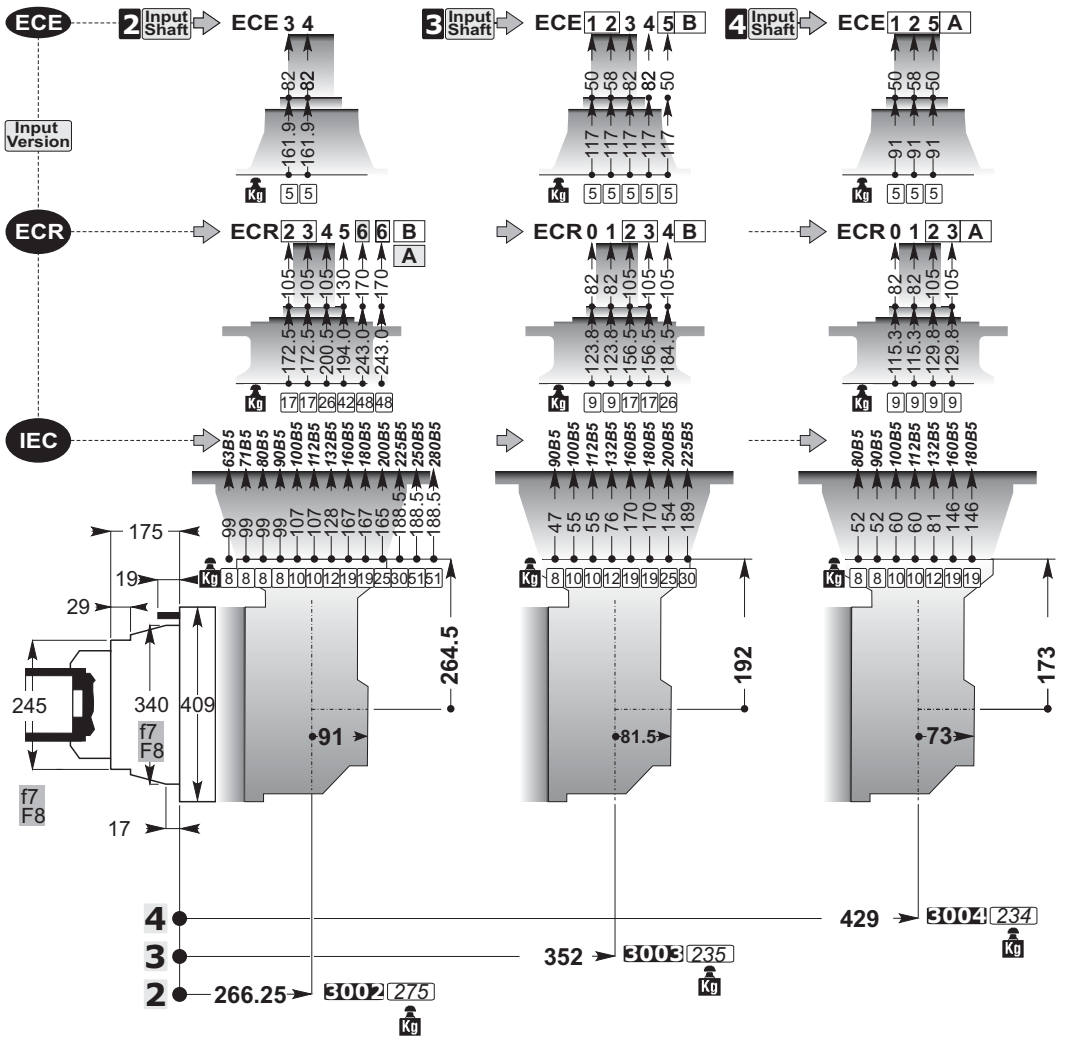
**SD**



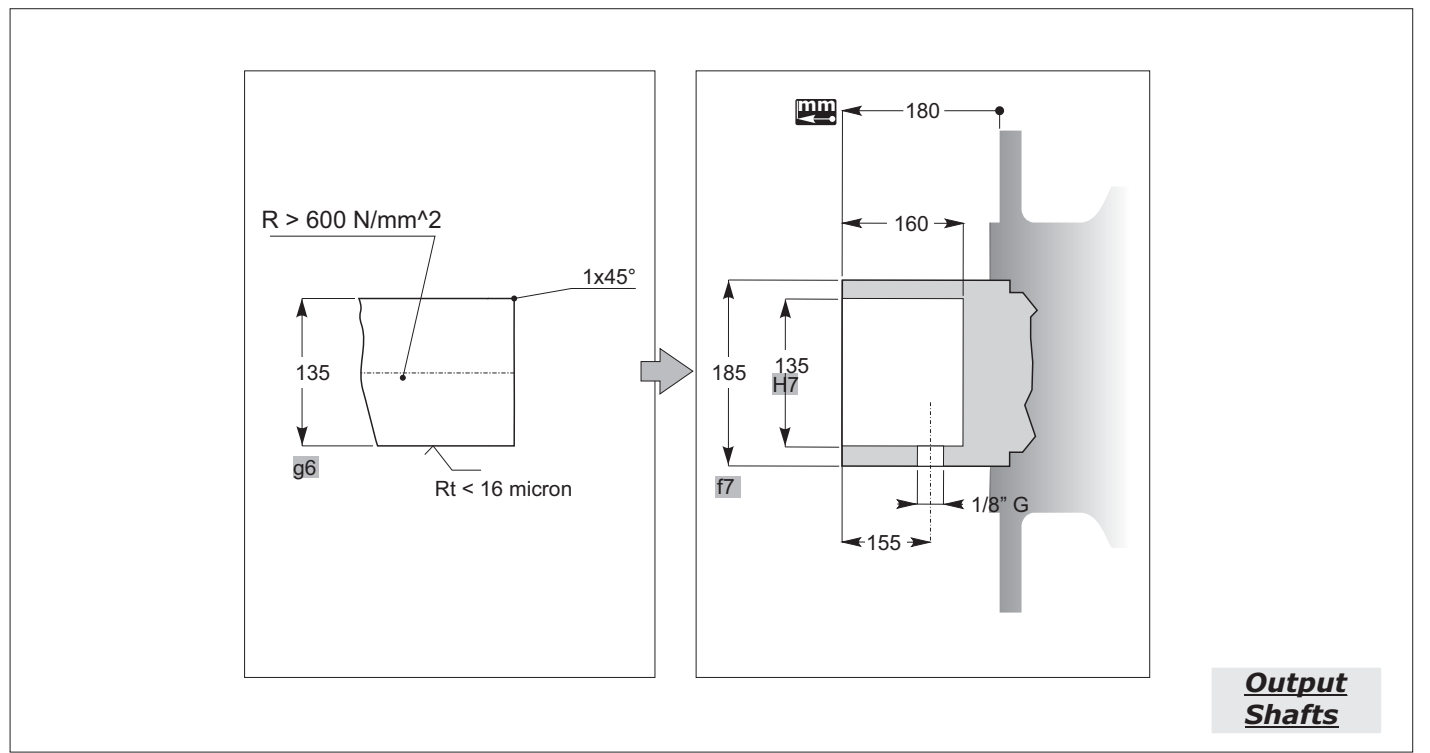
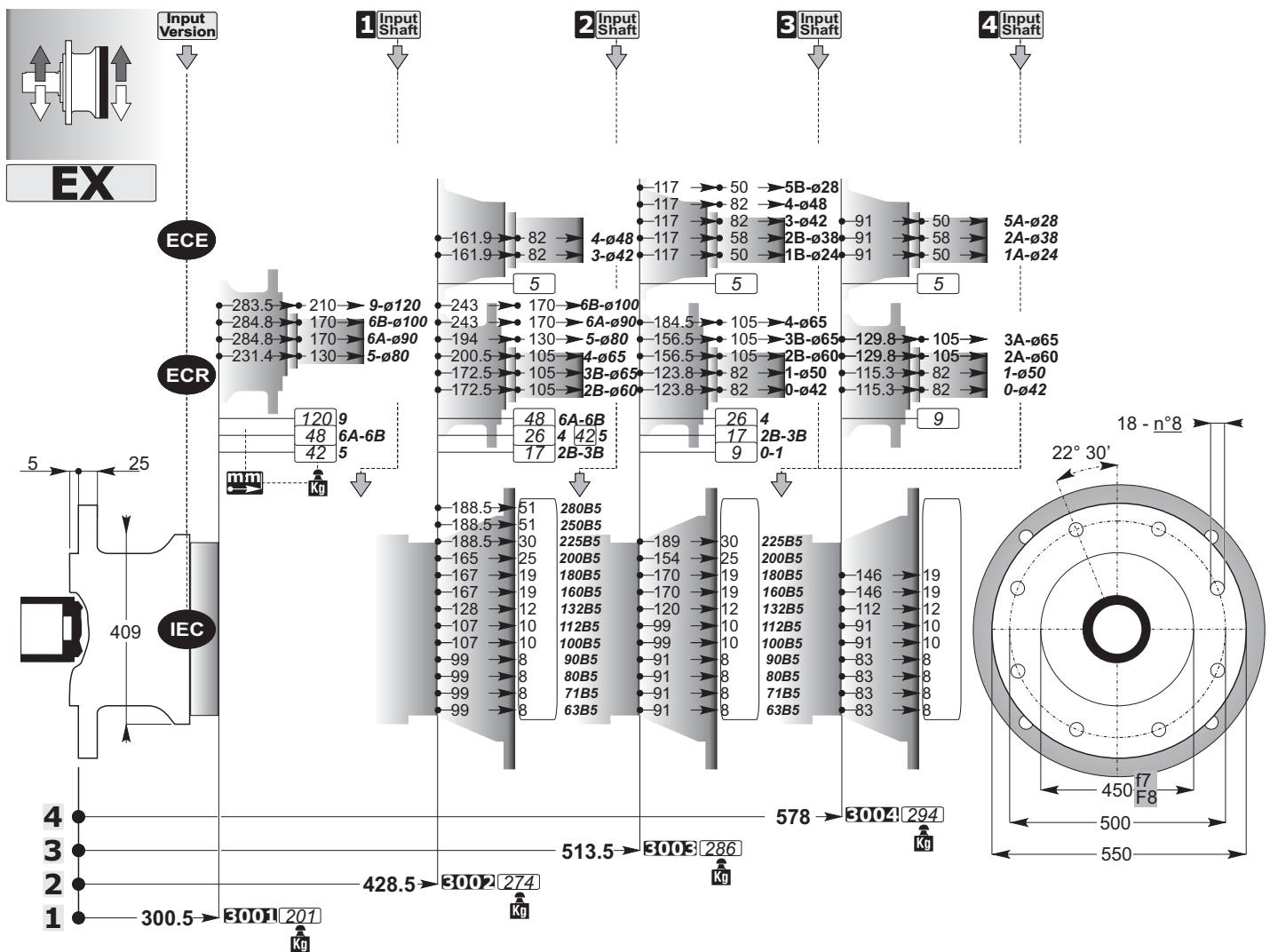
**Accessories**







Accessories



**Output Shafts**

