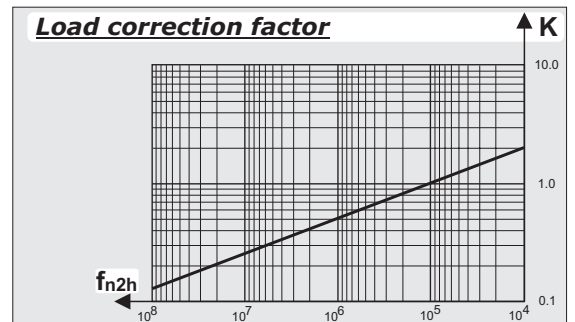
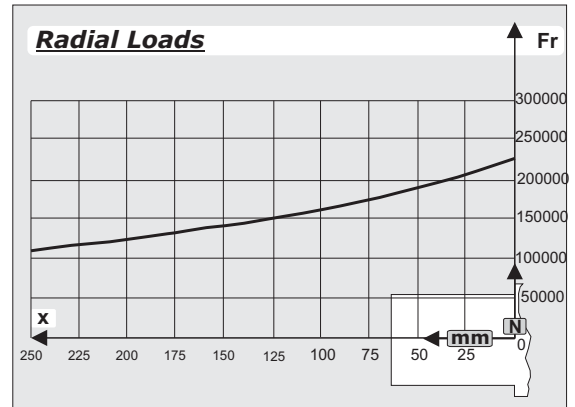
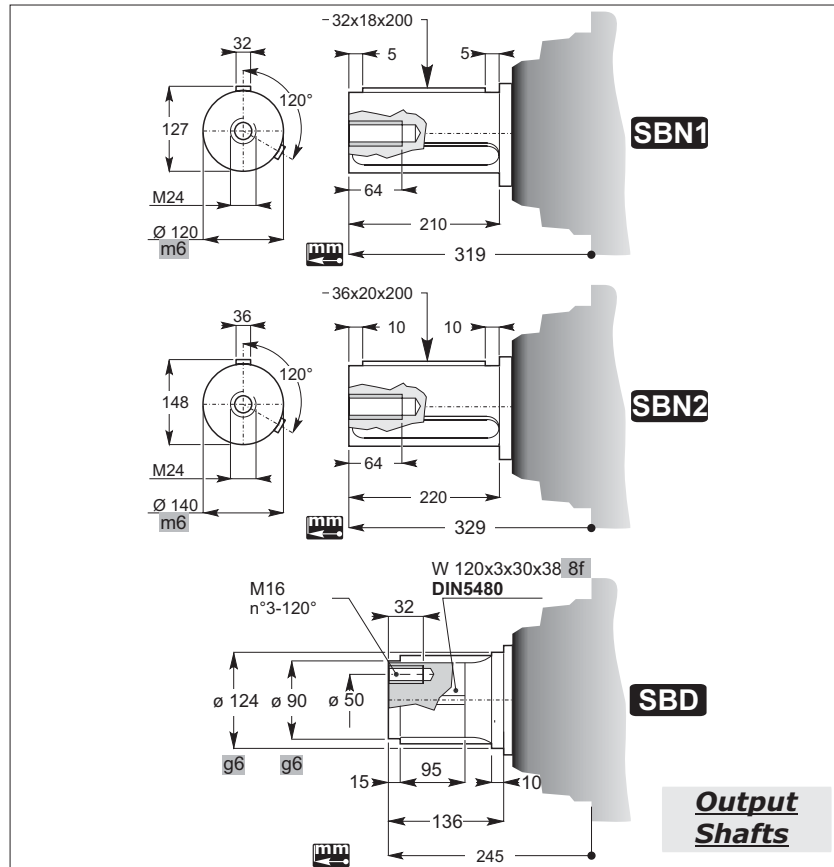
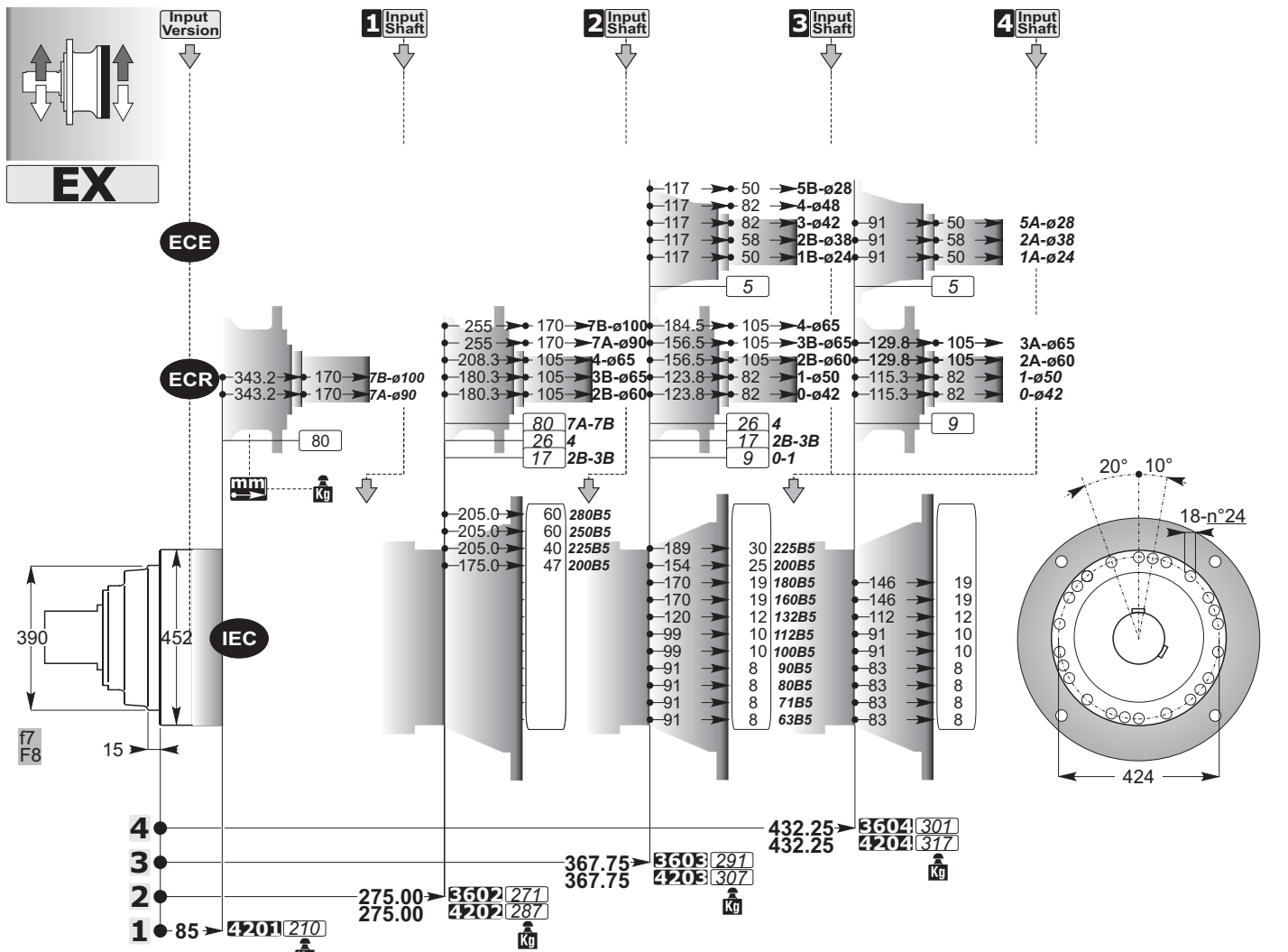
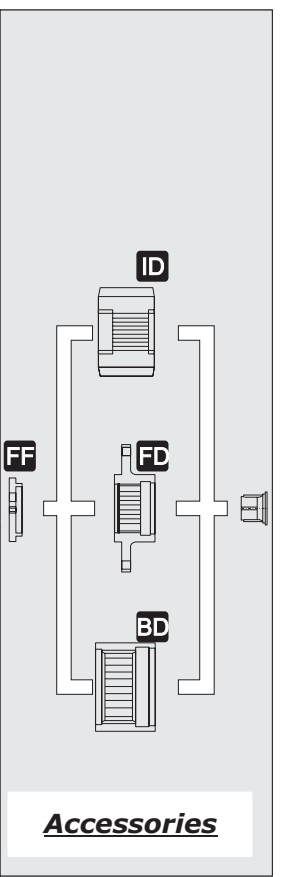
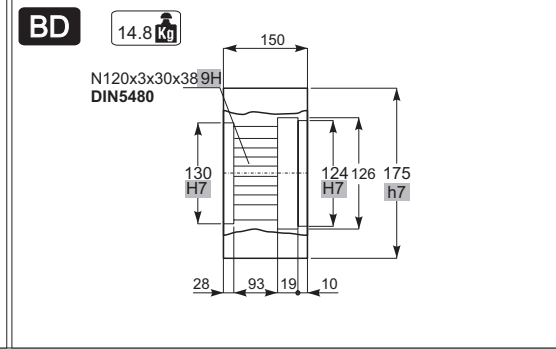
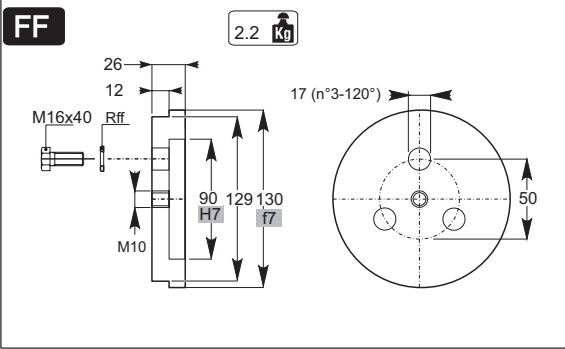
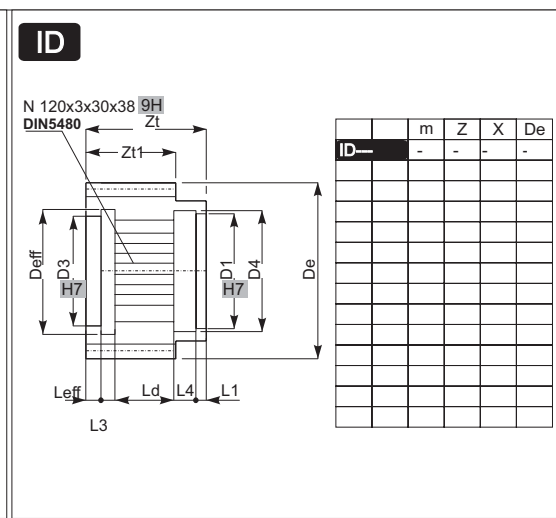
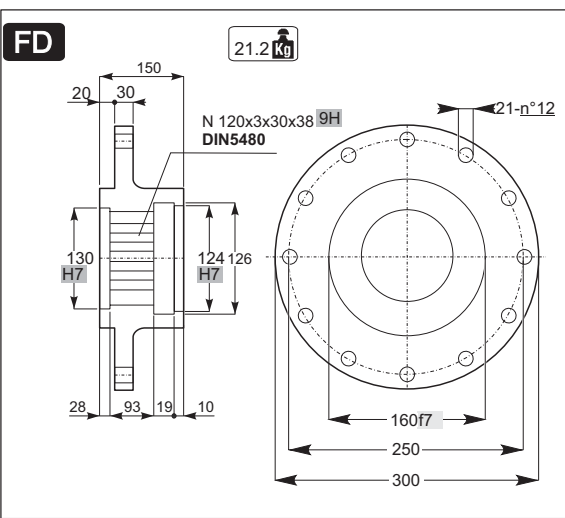
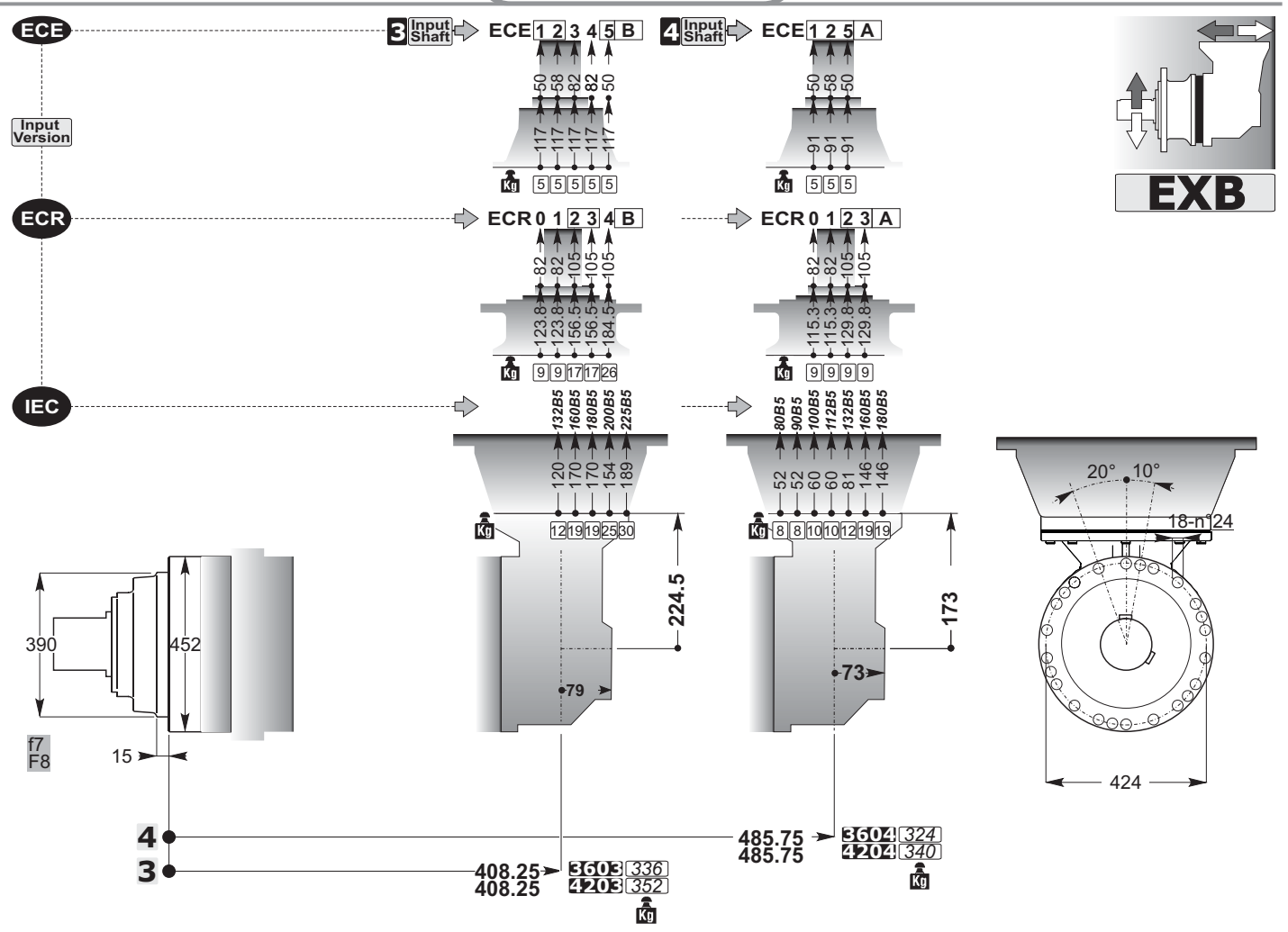
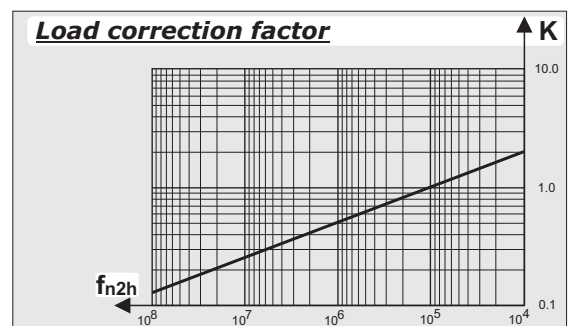
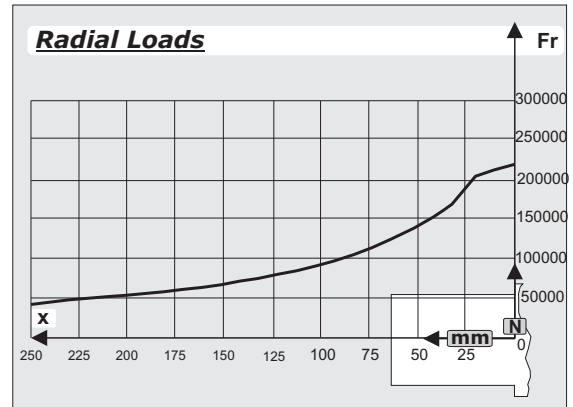
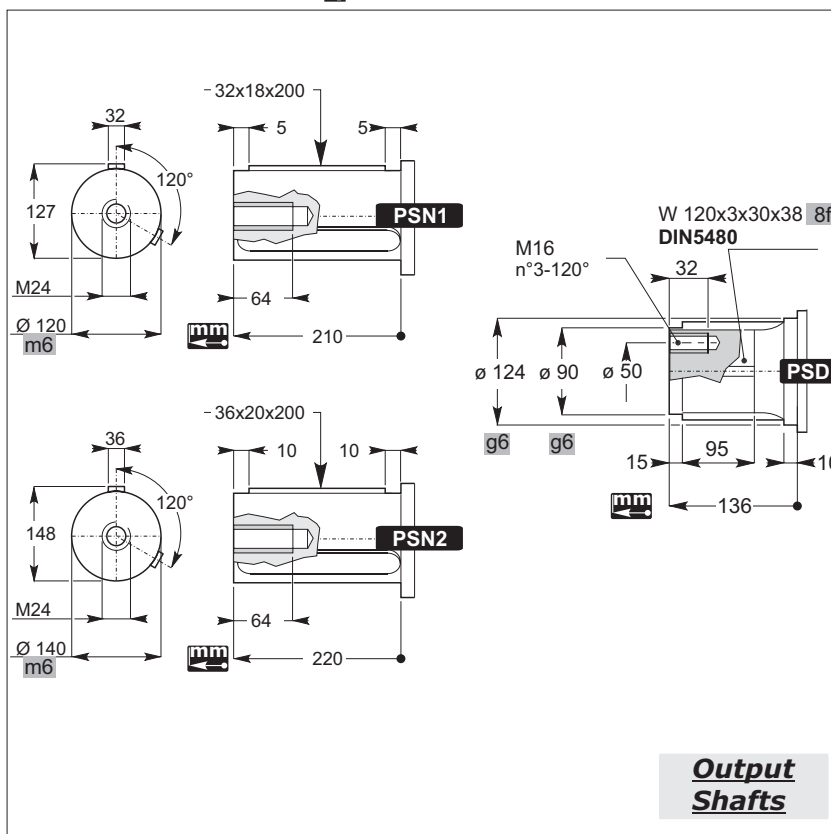
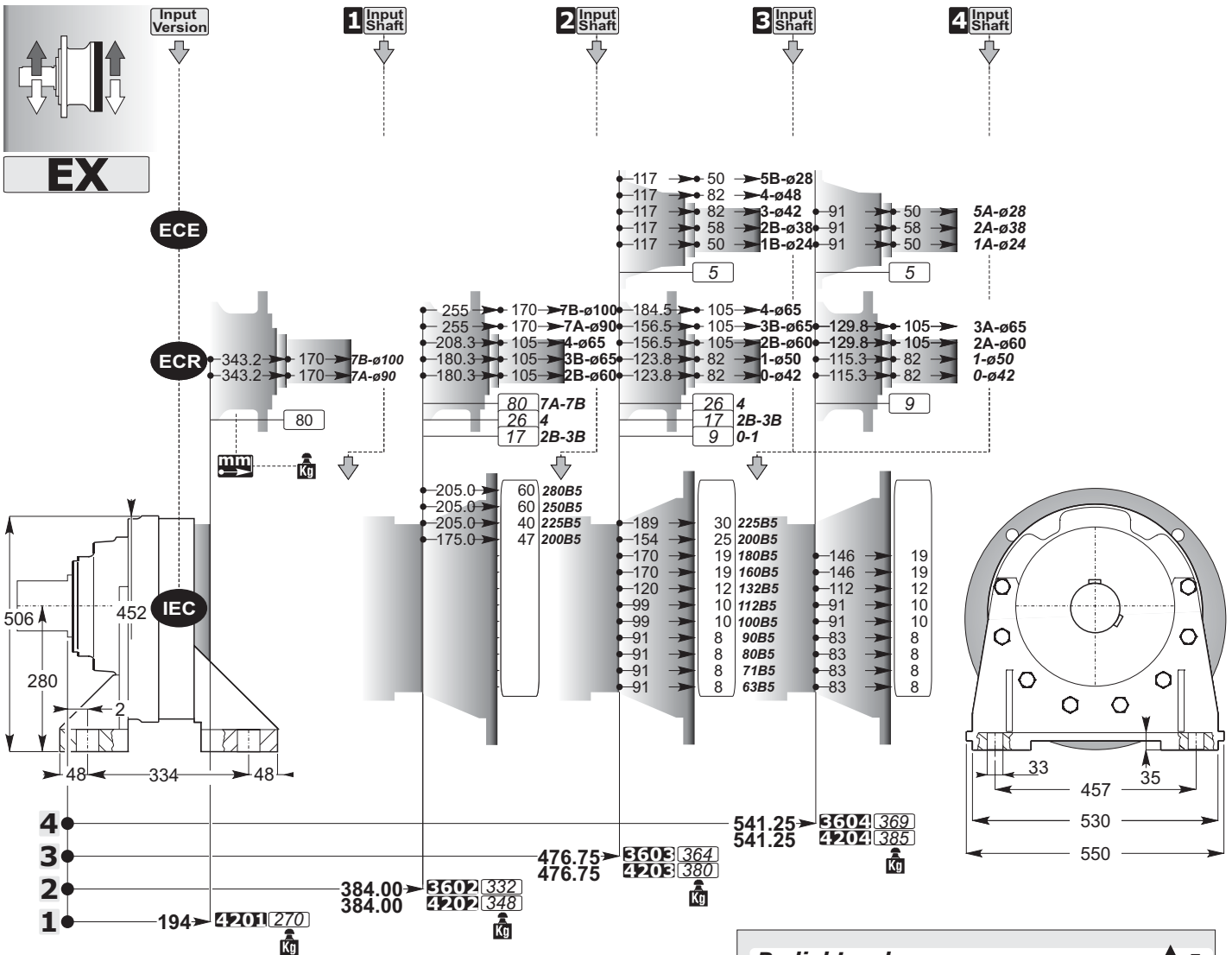
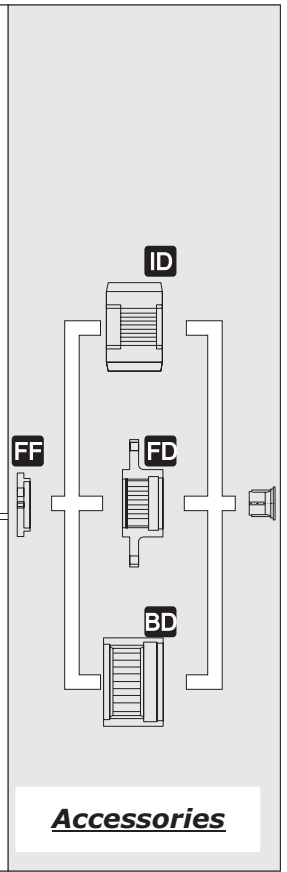
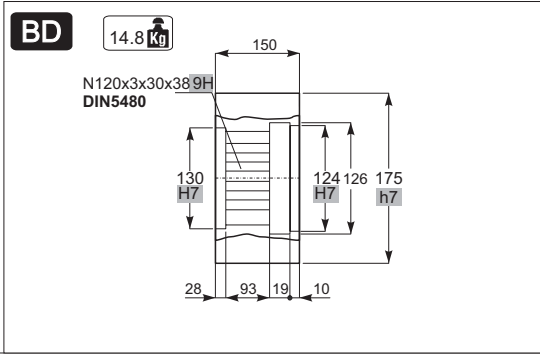
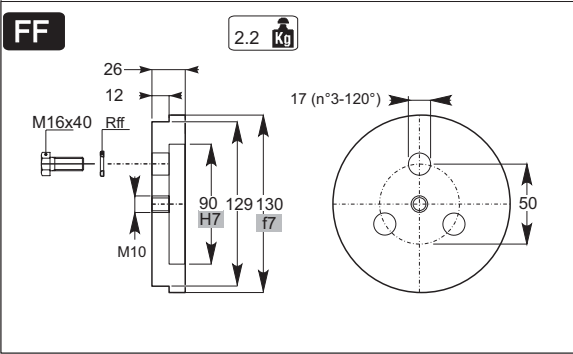
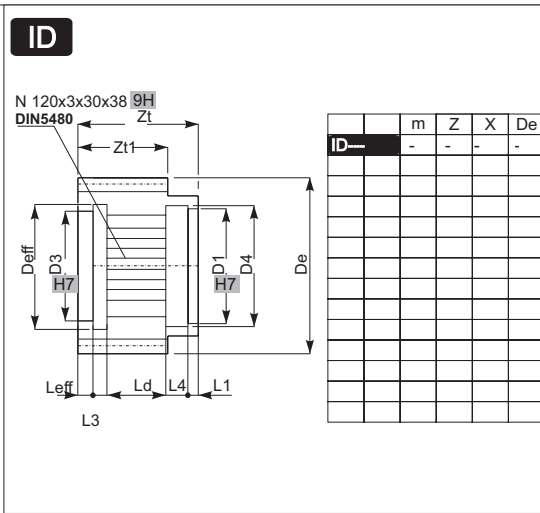
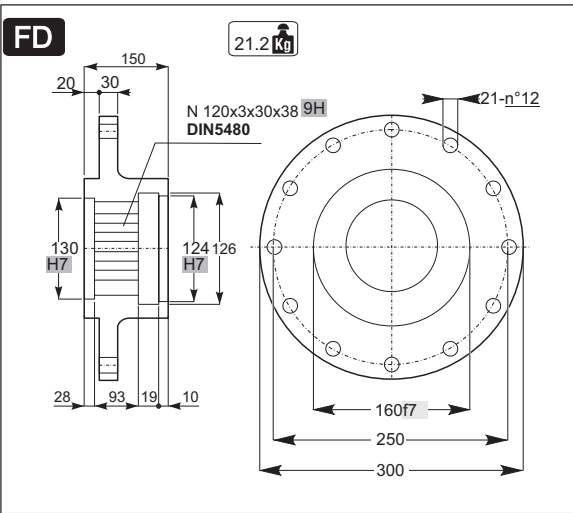
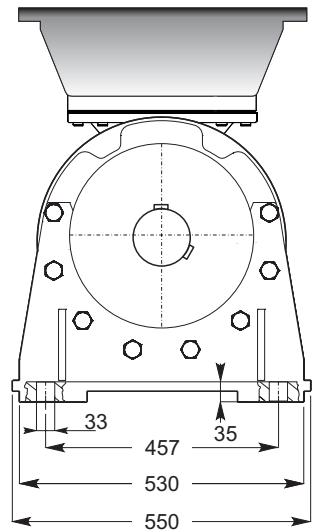
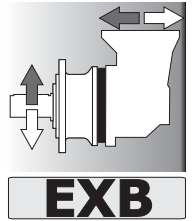
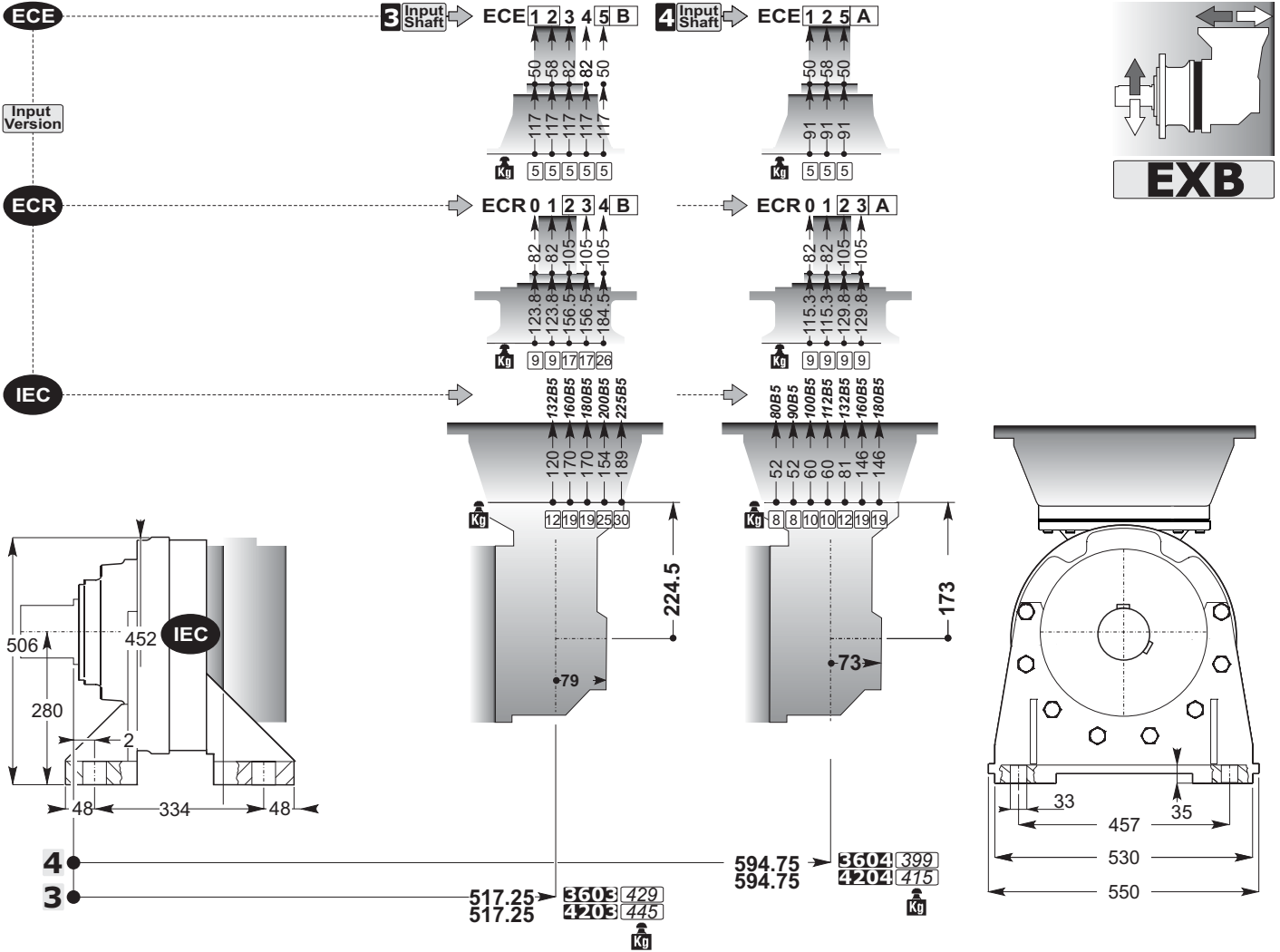


mm
C

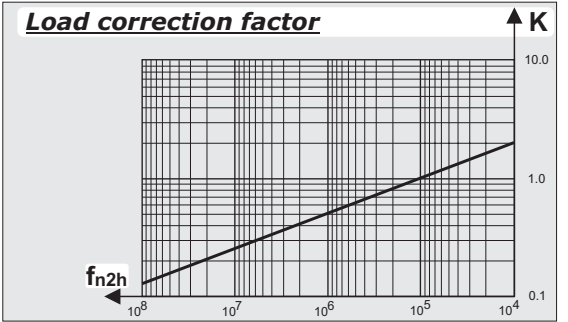
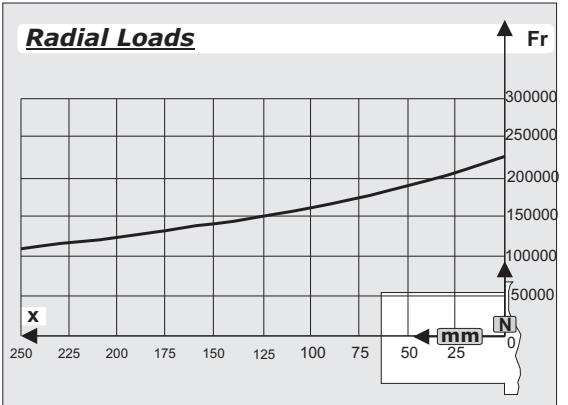
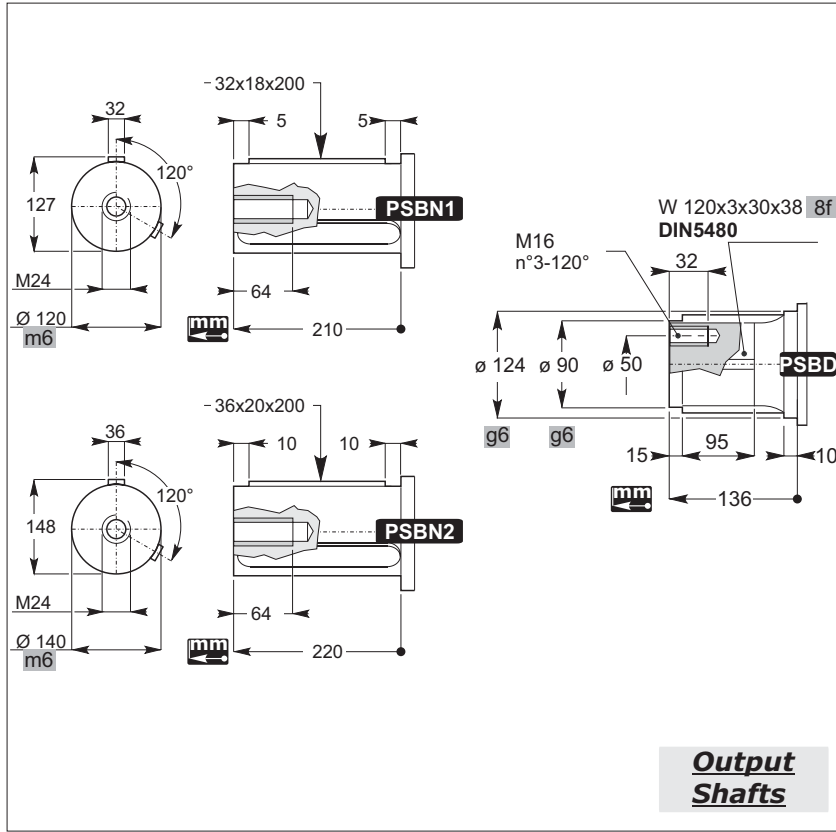
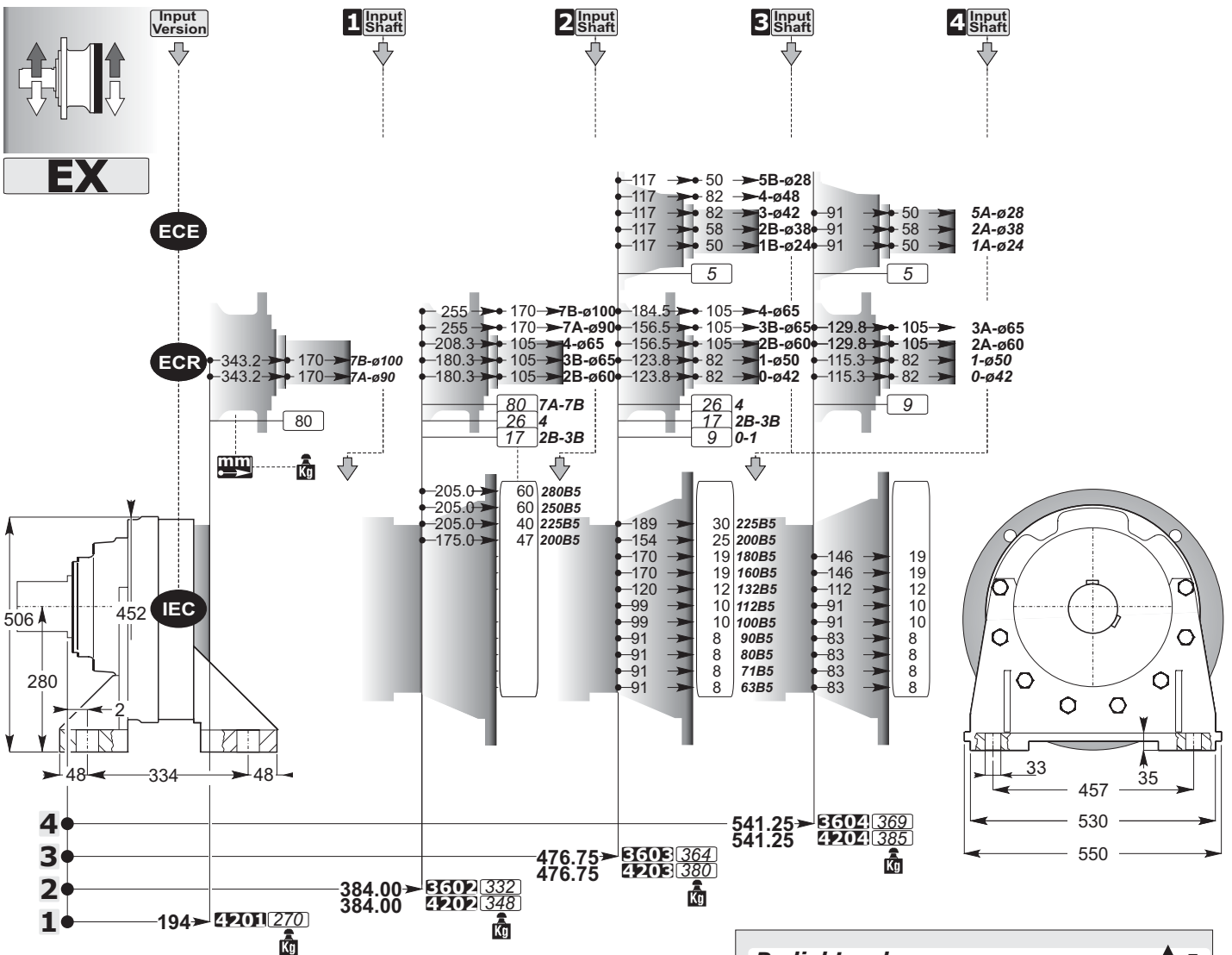


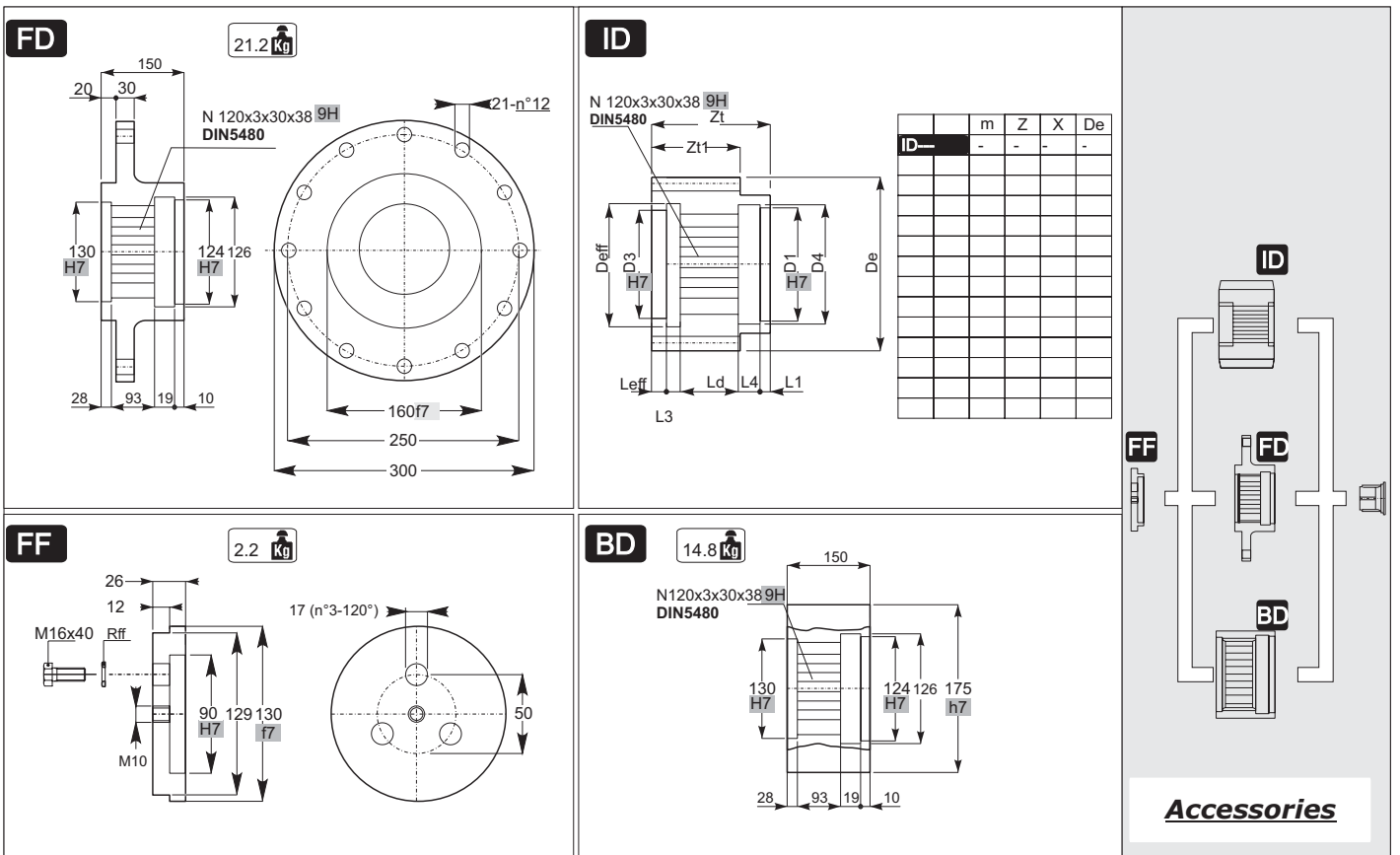
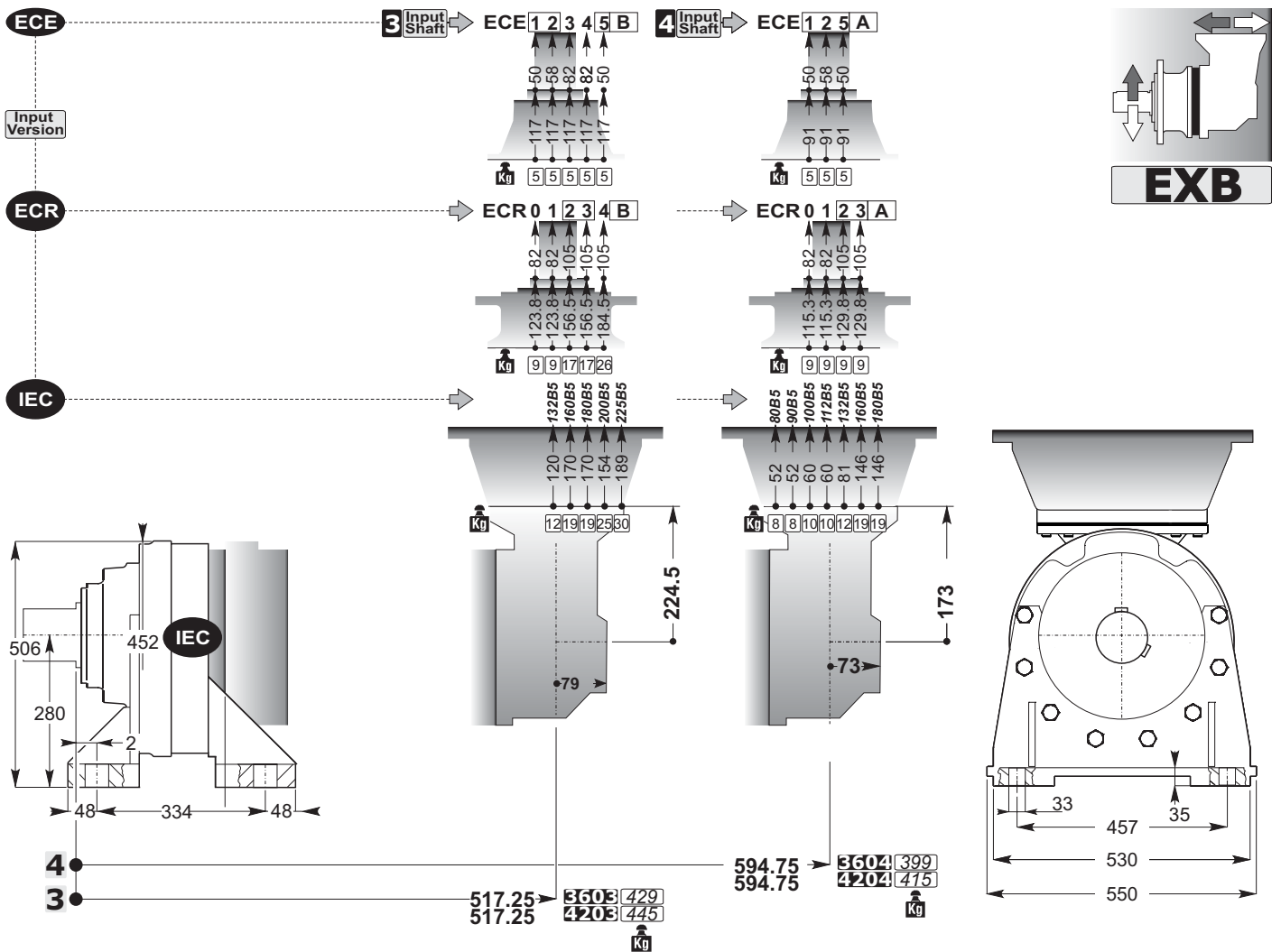


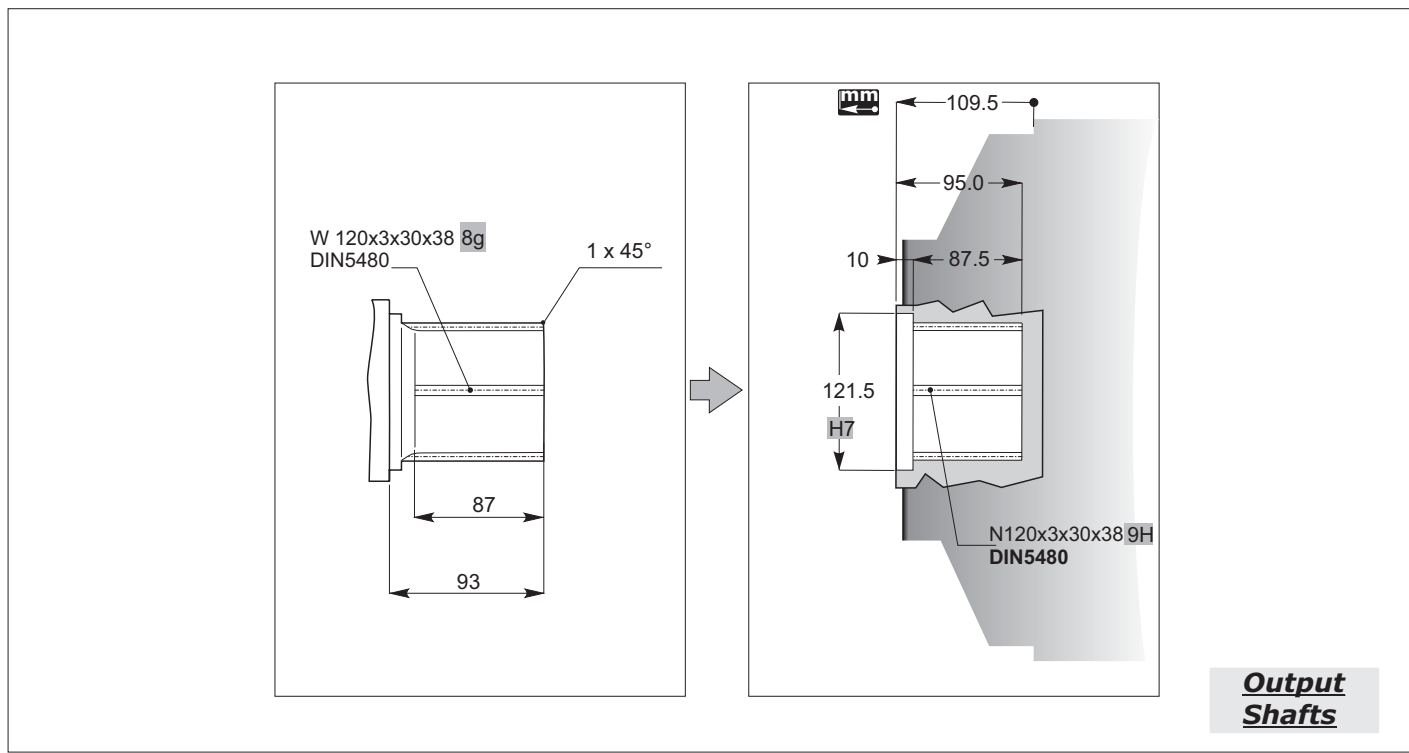
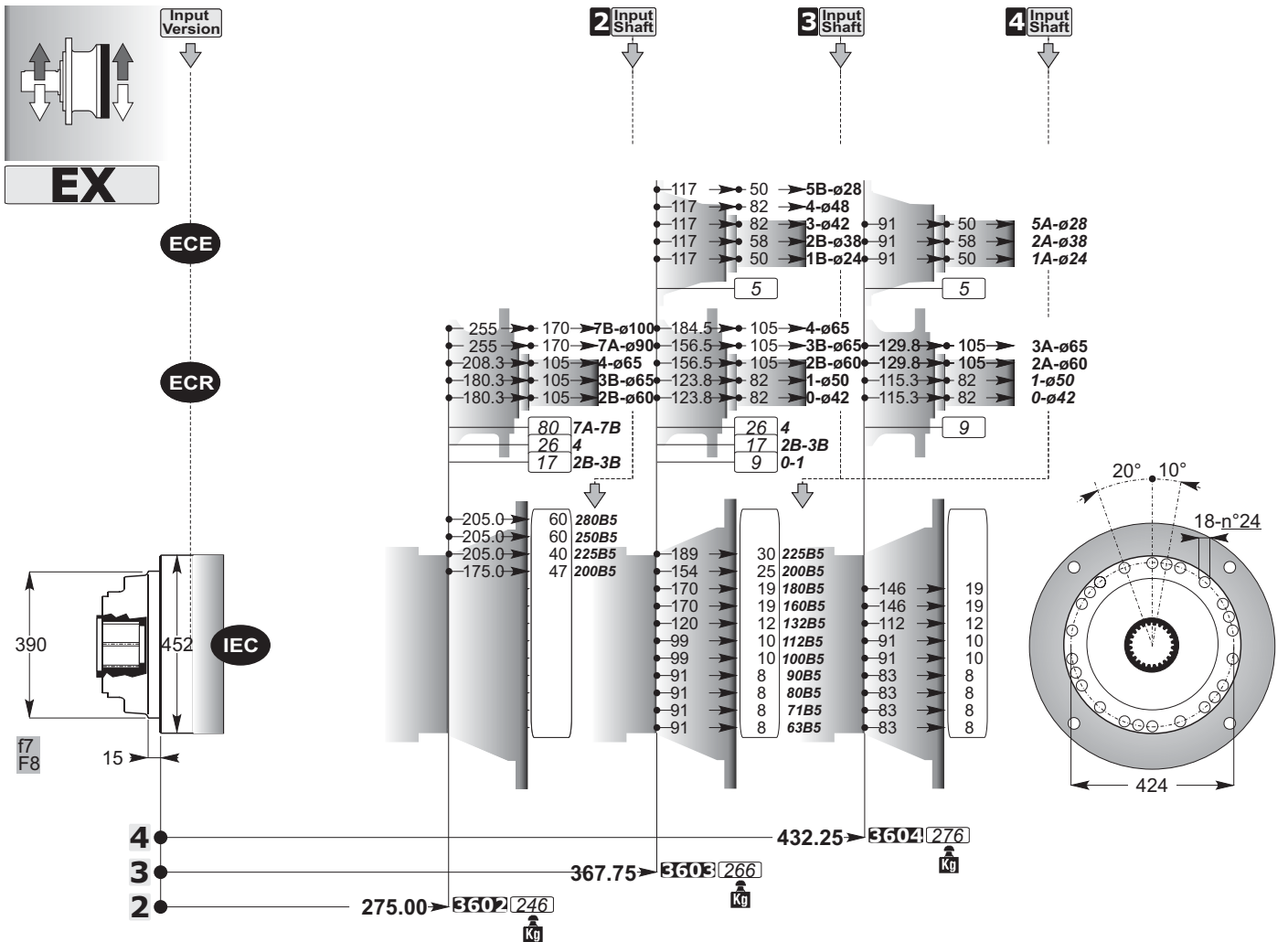


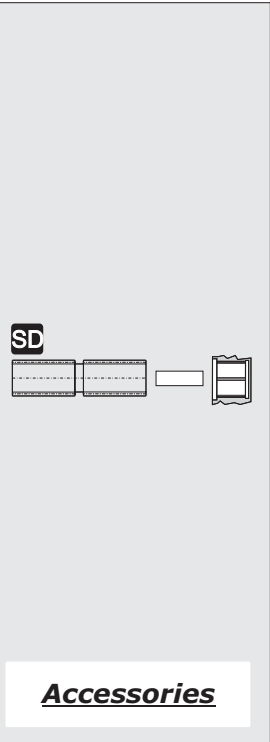
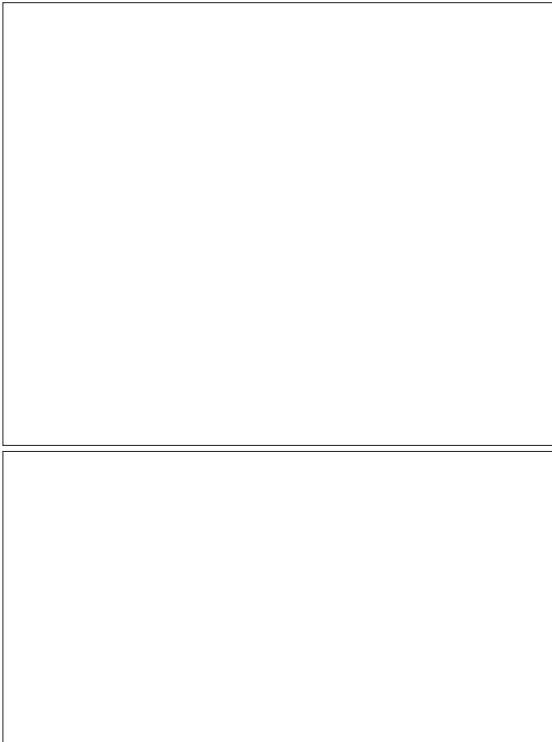
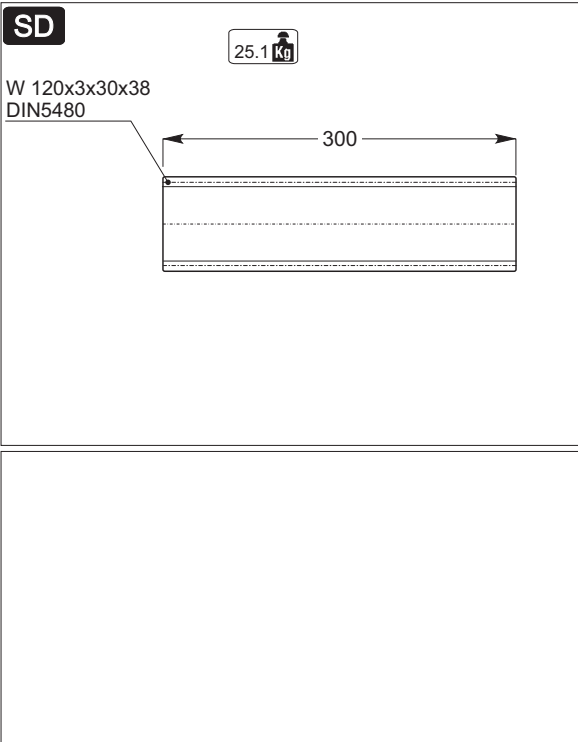
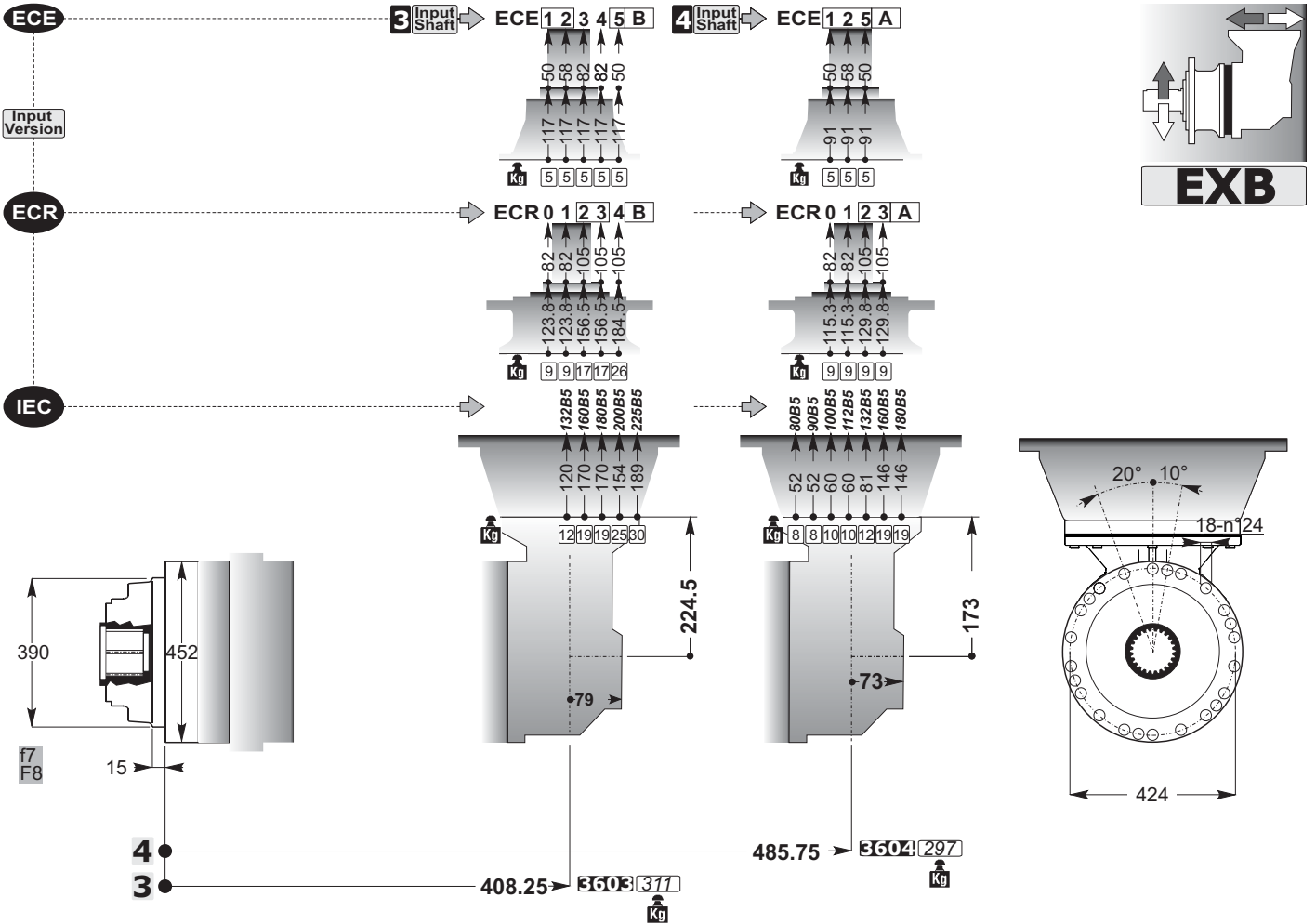


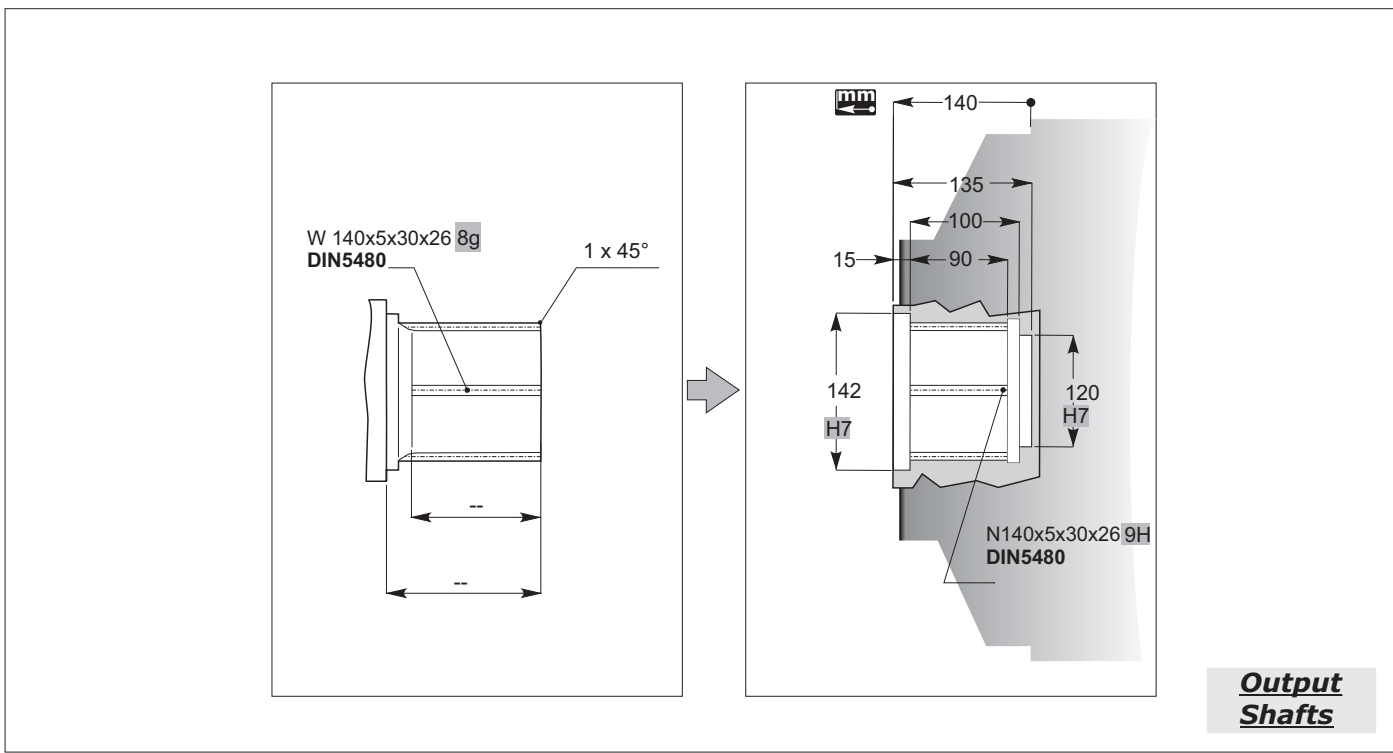
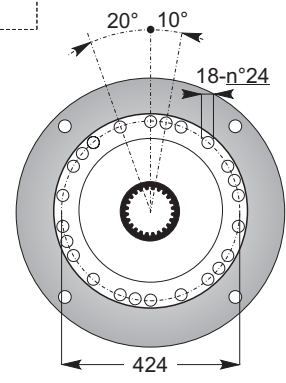
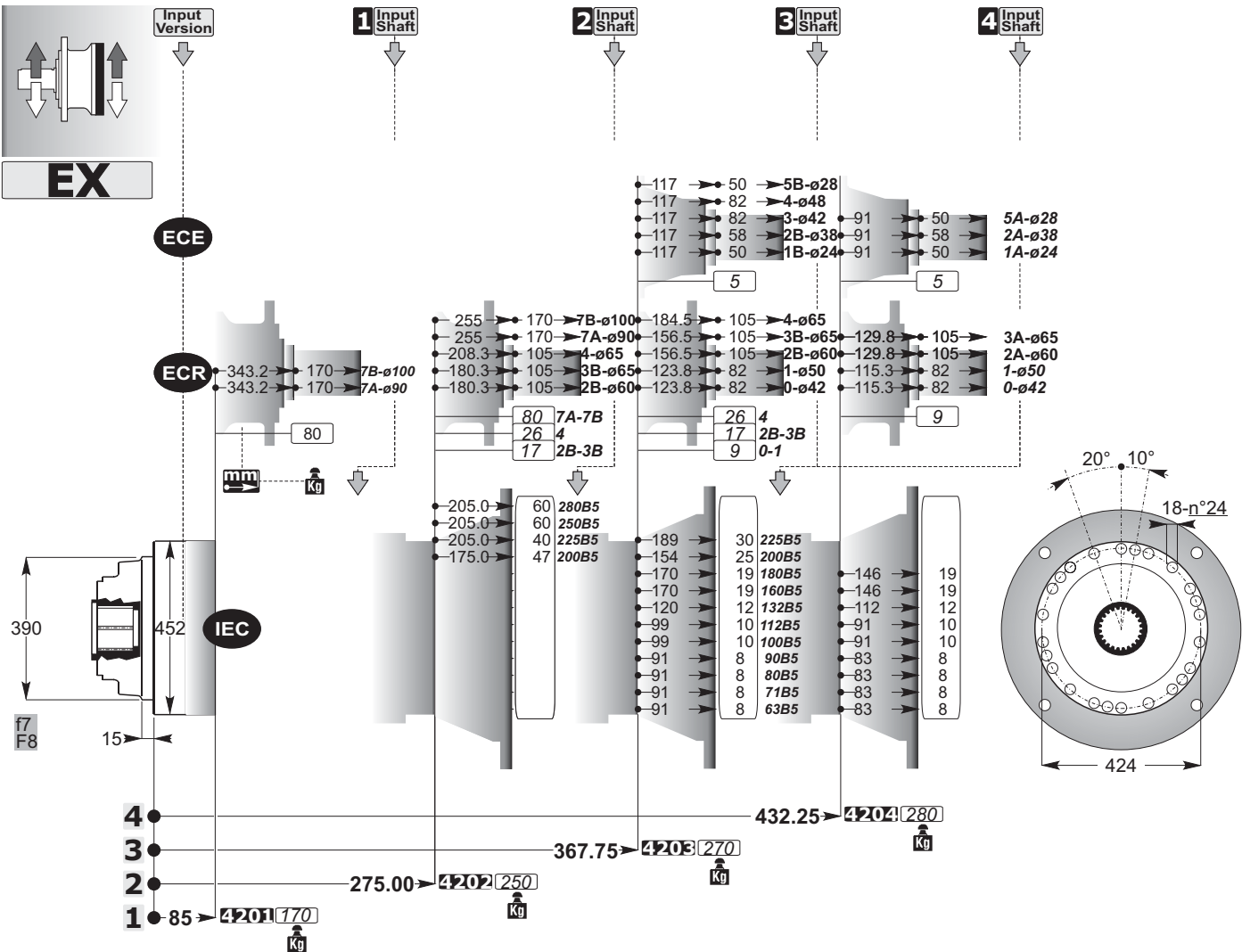
mm
C

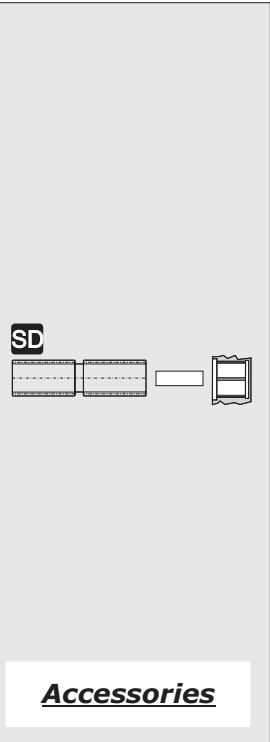
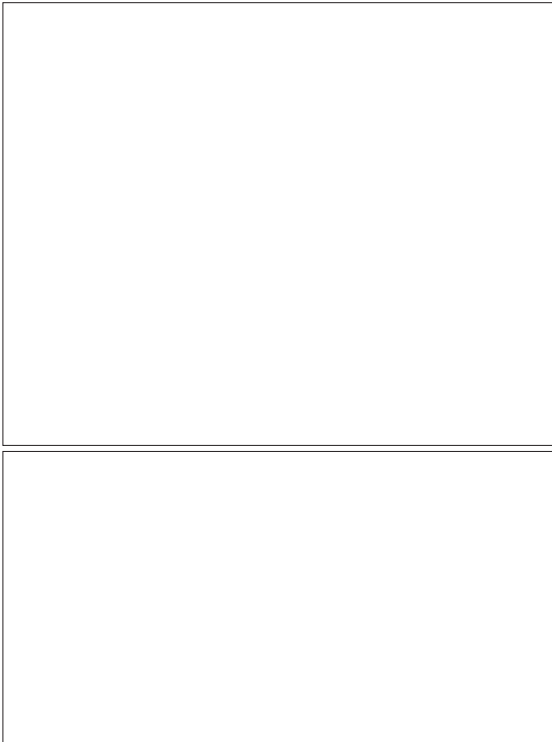
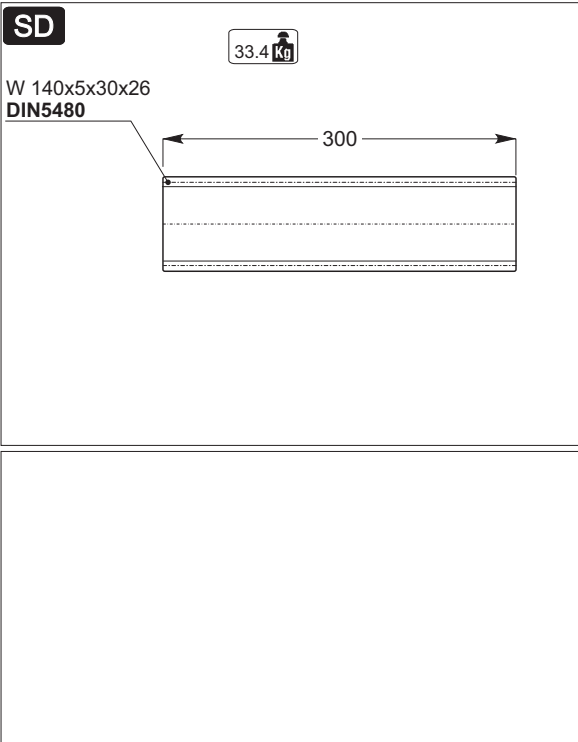
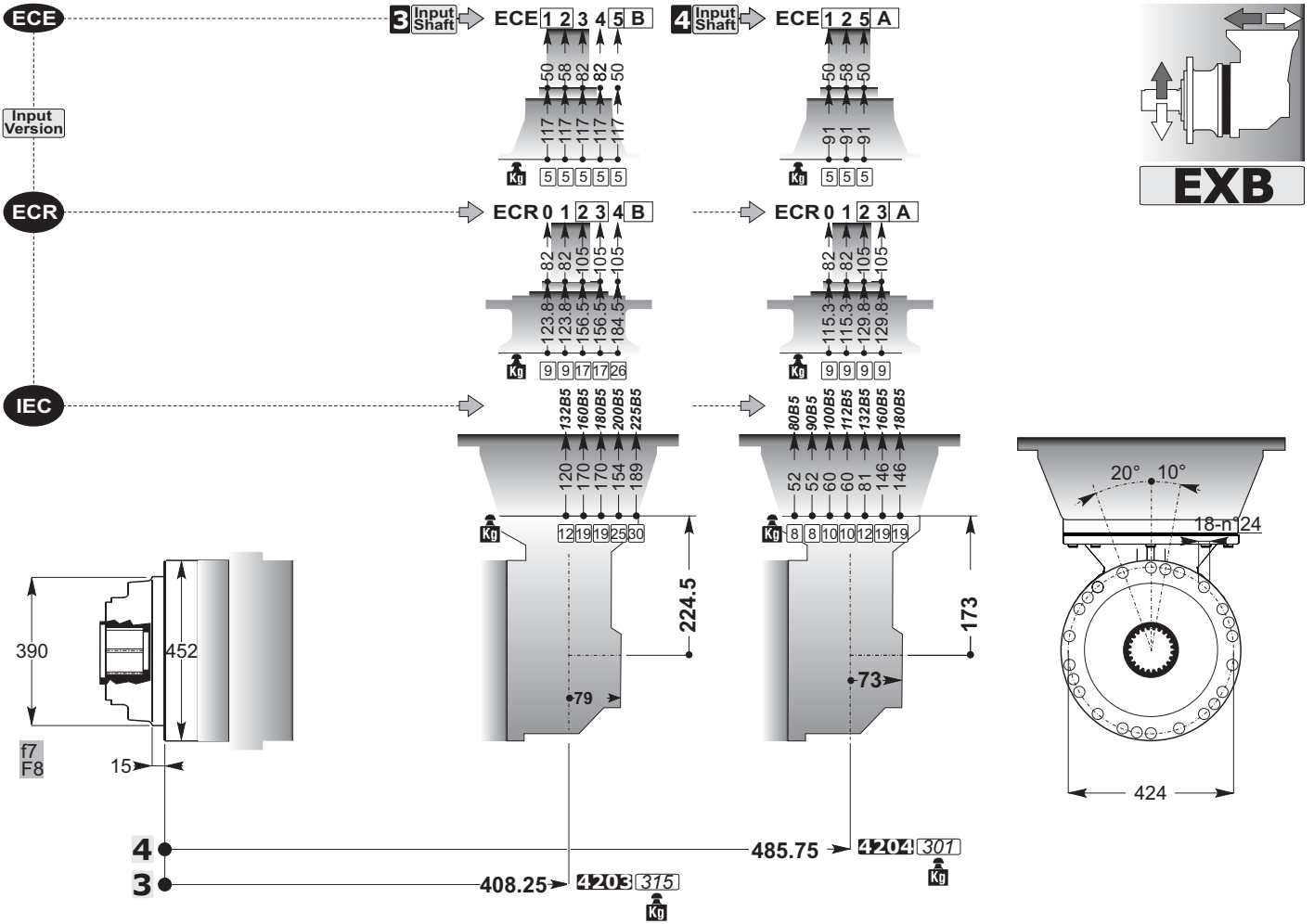


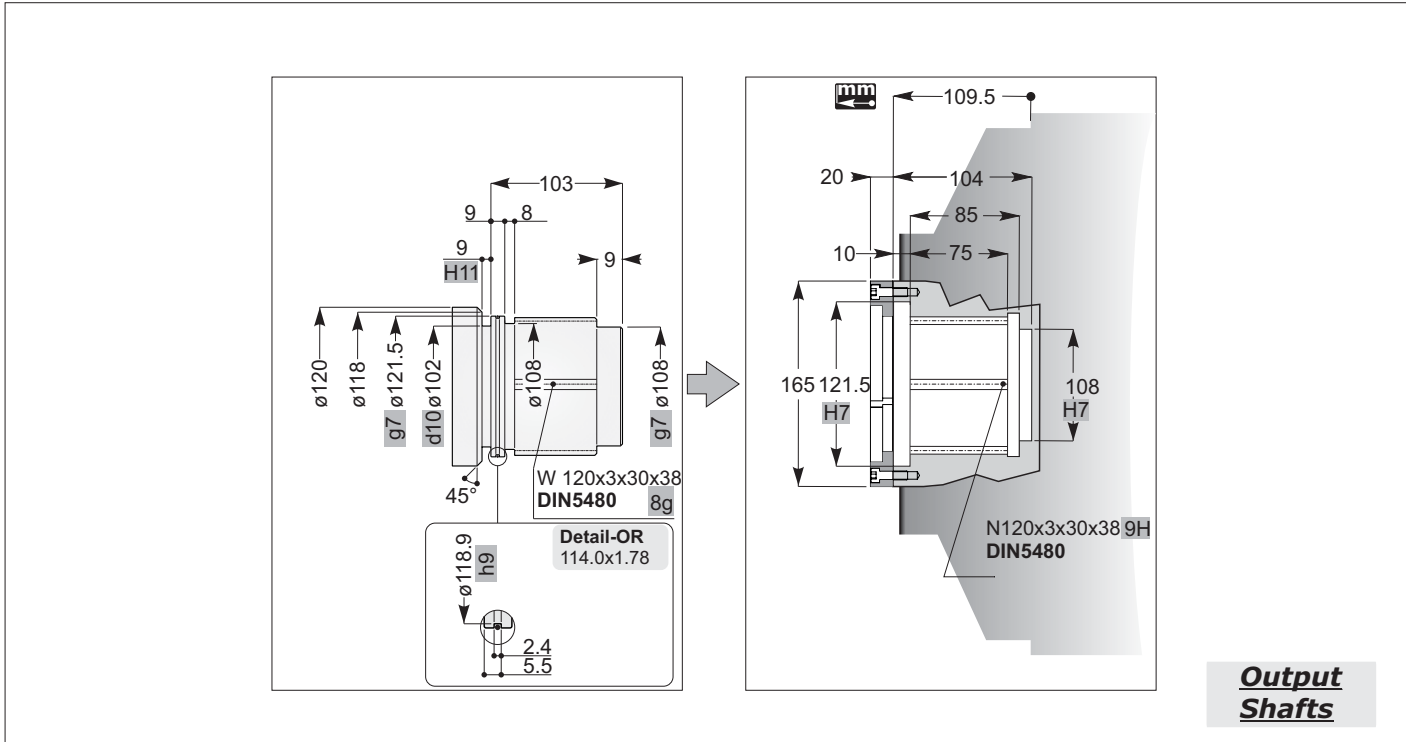
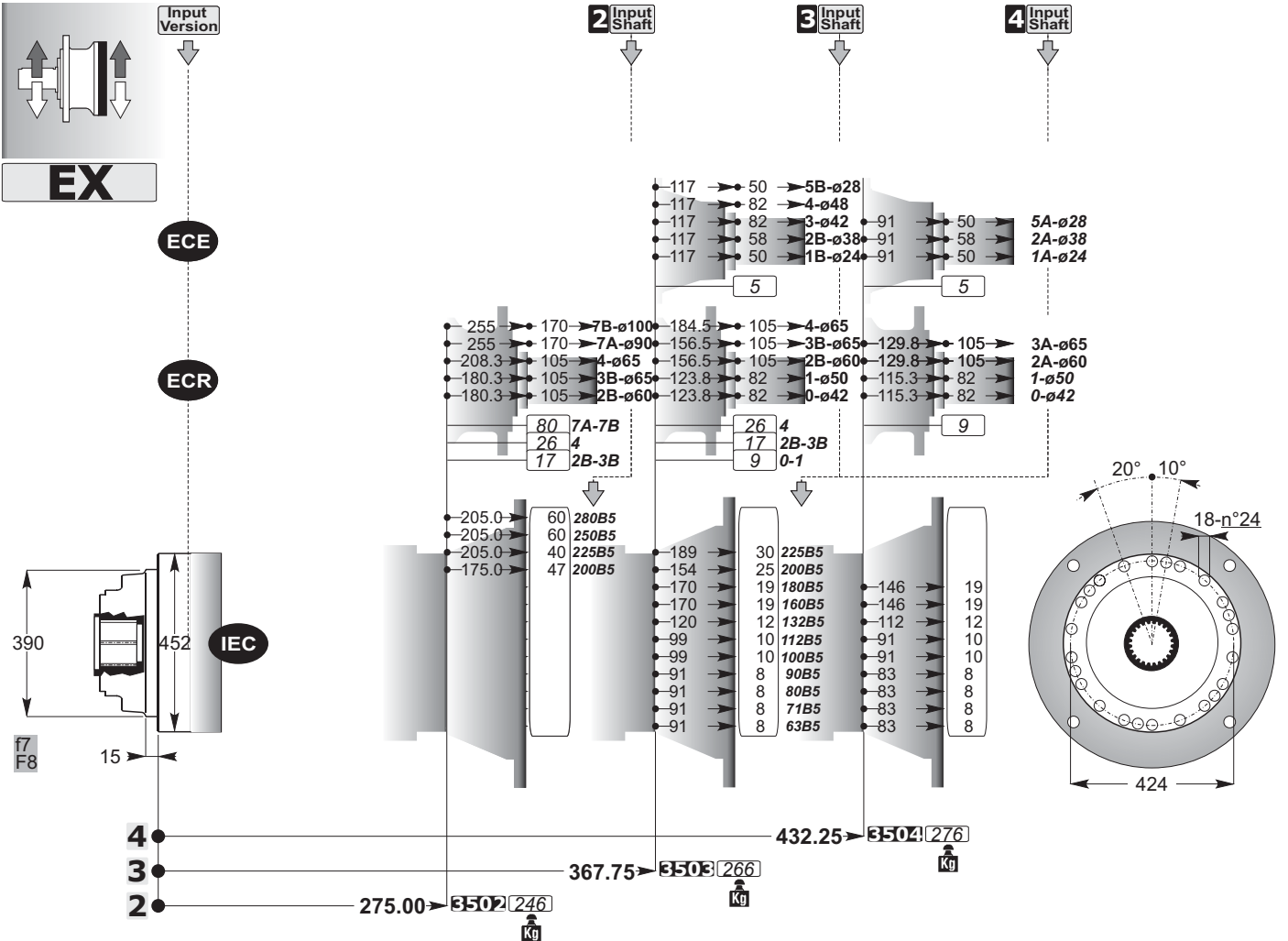


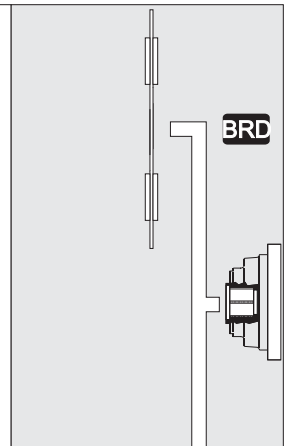
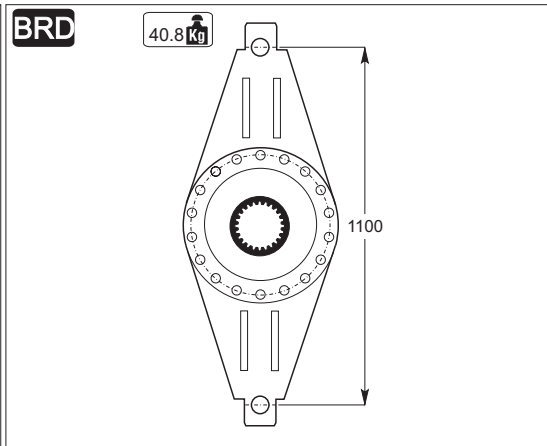
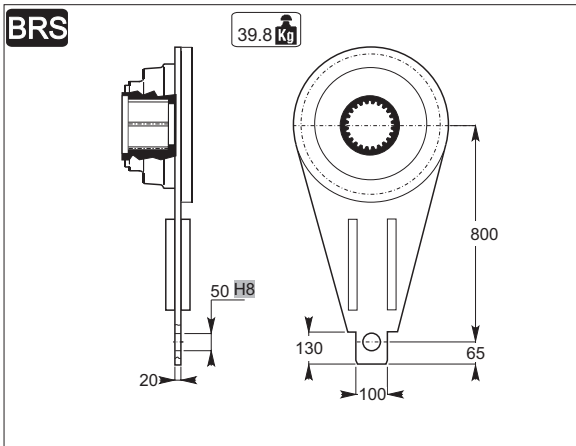
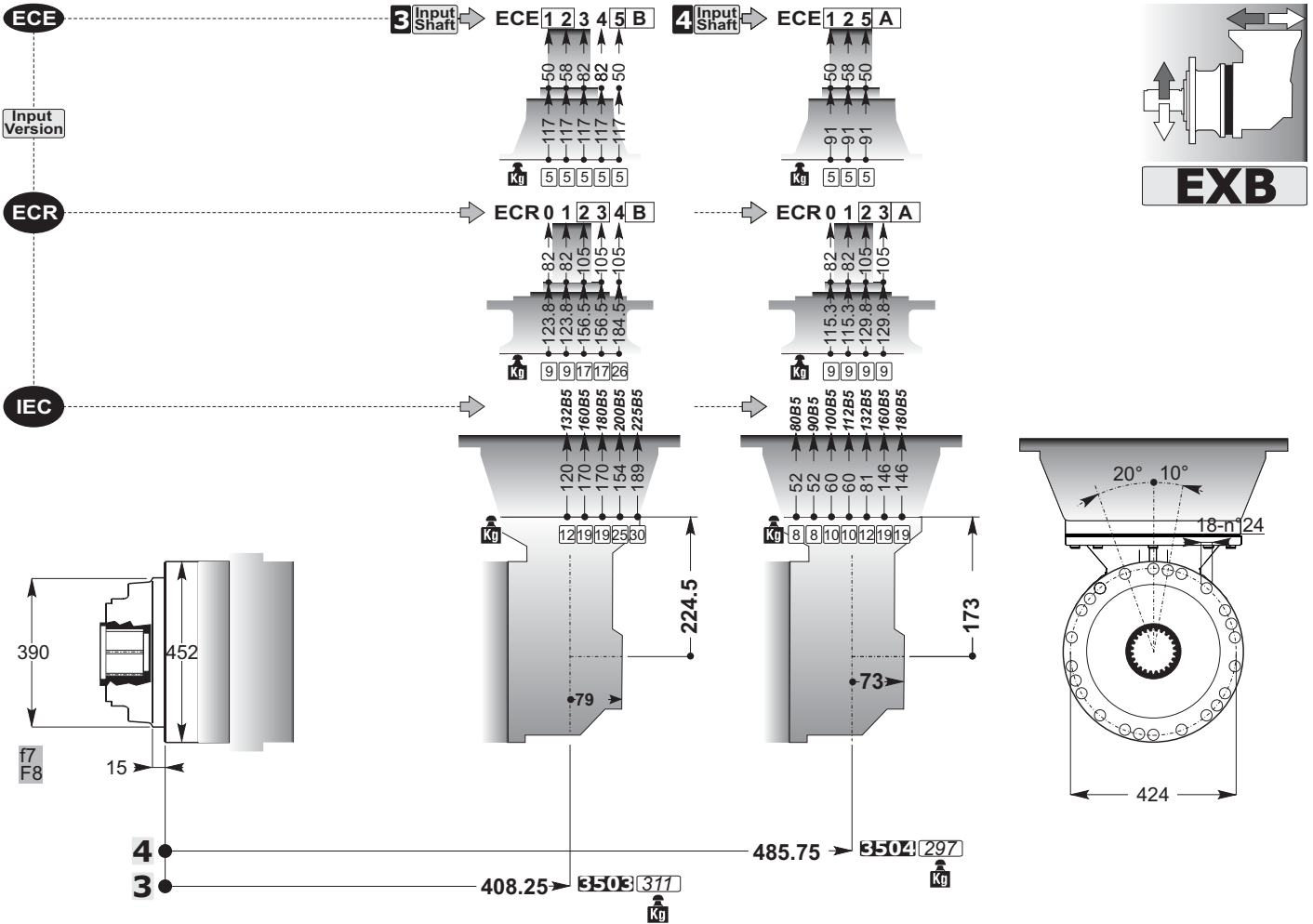






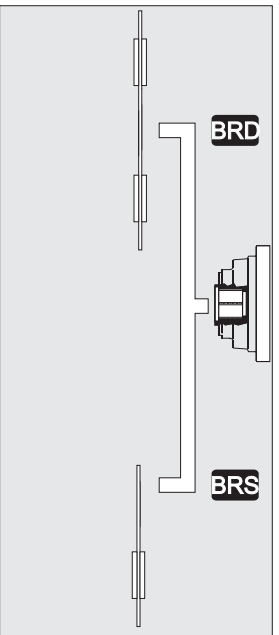
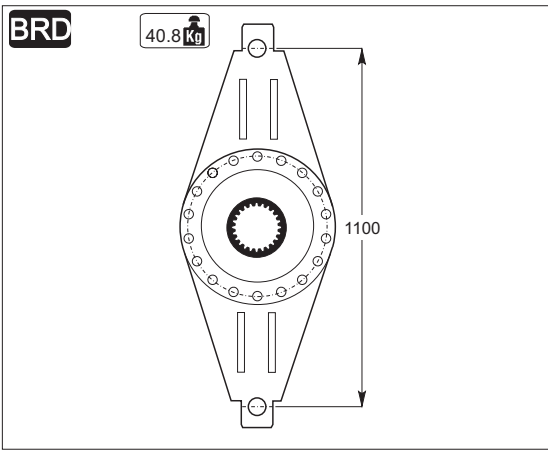
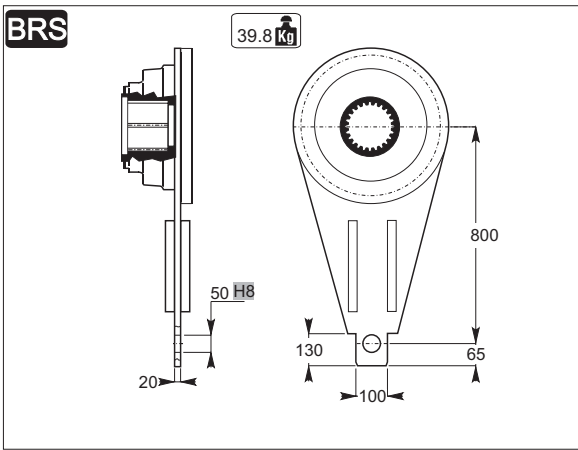
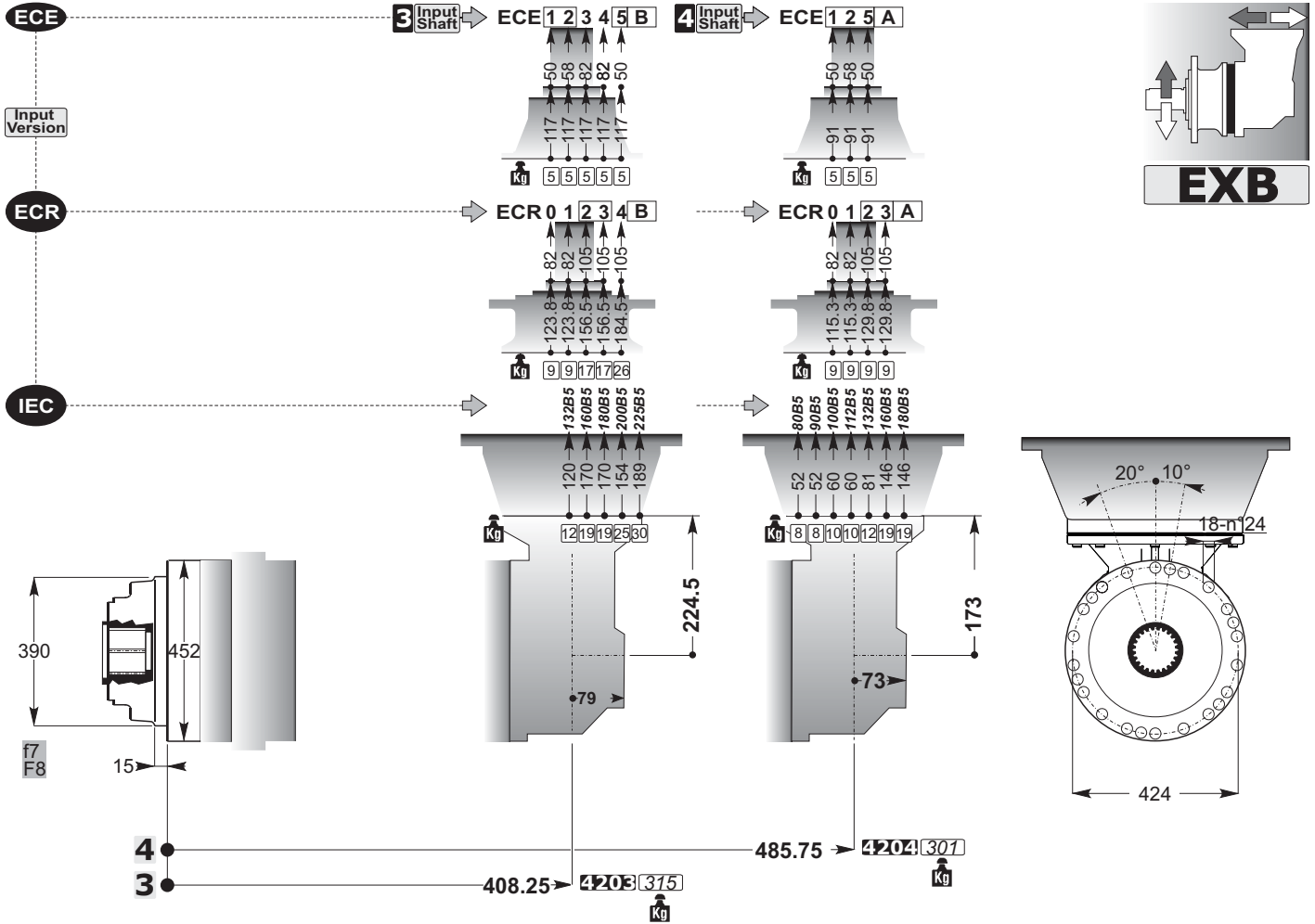






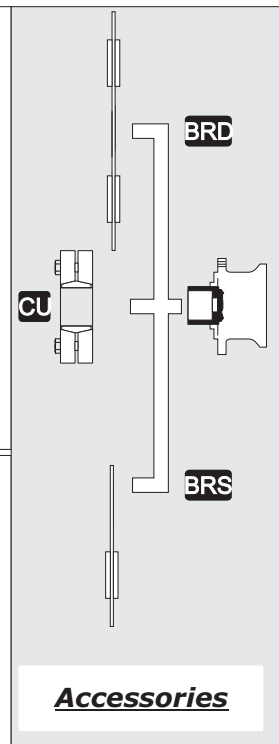
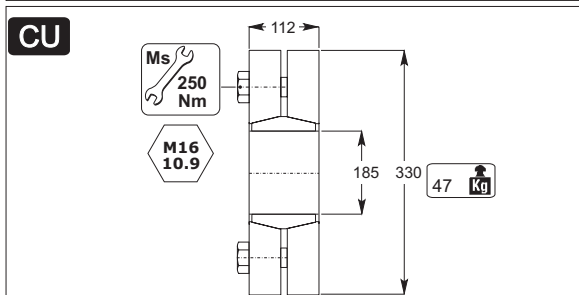
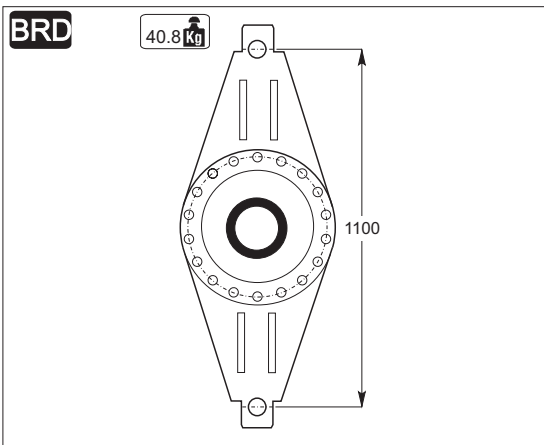
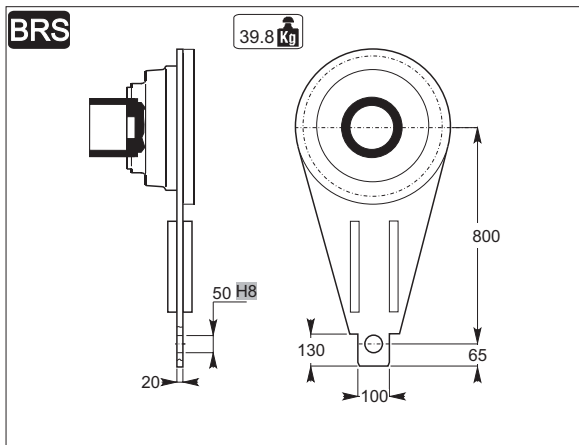
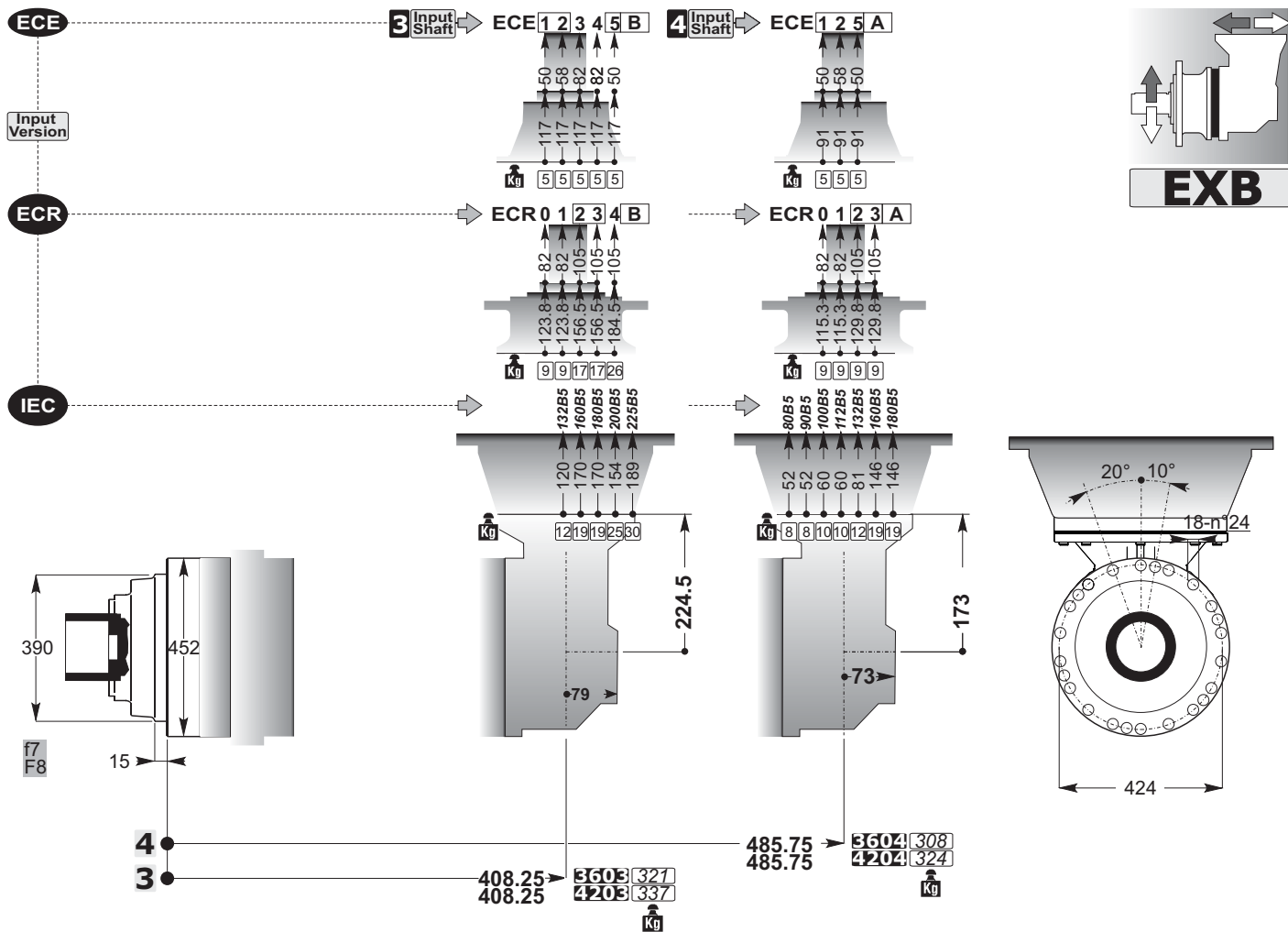
Accessories

mm
C



Accessories

mm
C



mm
C