

**ECE**

4 Input Shaft → ECE 1 2 3 4 5 B

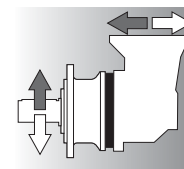
Input Version

**ECR**

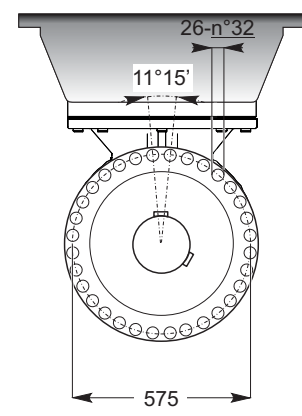
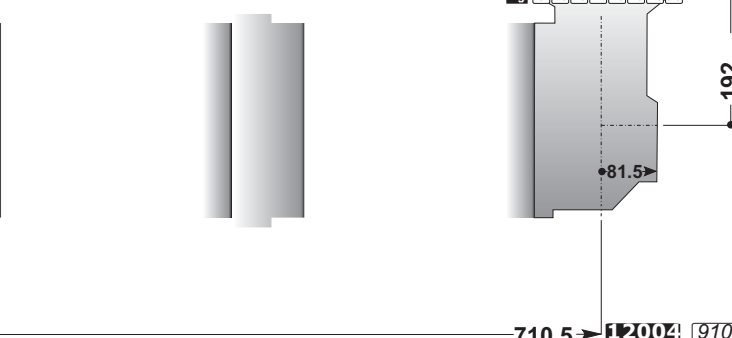
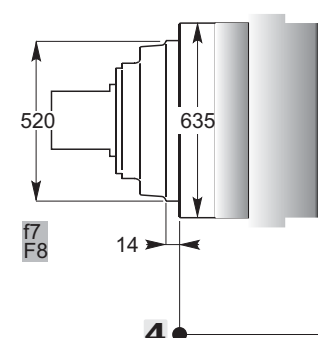
→ ECR 0 1 2 3 4 B

**IEC**

→

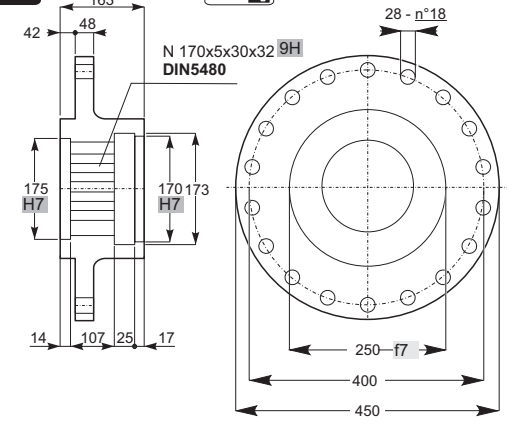


**EXB**



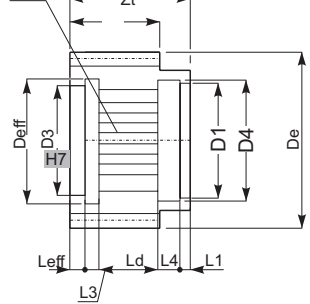
**FD**

72.1 kg



**ID**

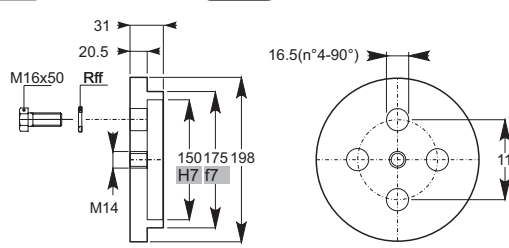
N 170x5x30x32 9H DIN5480



ID	m	Z	X	De

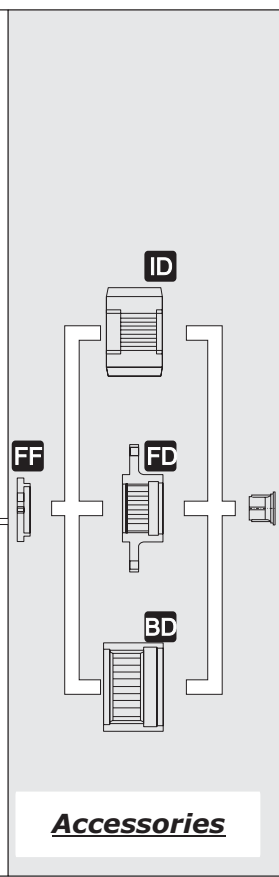
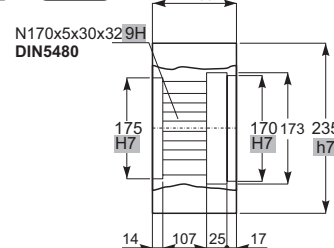
**FF**

5.3 kg

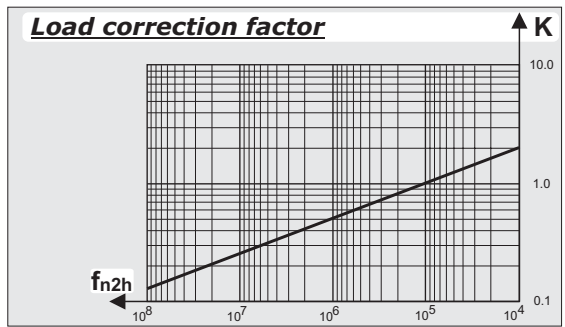
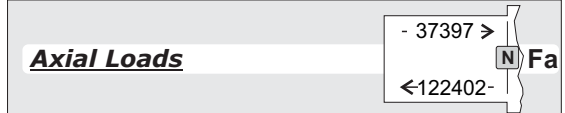
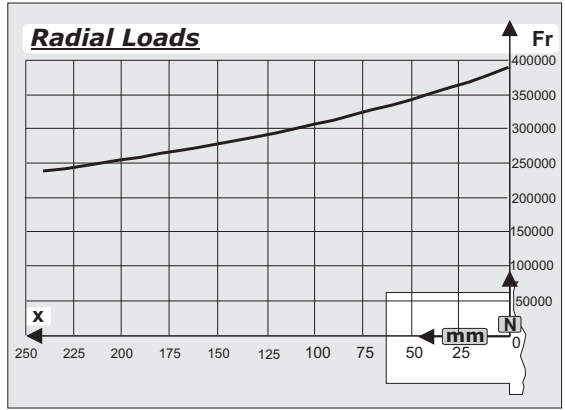
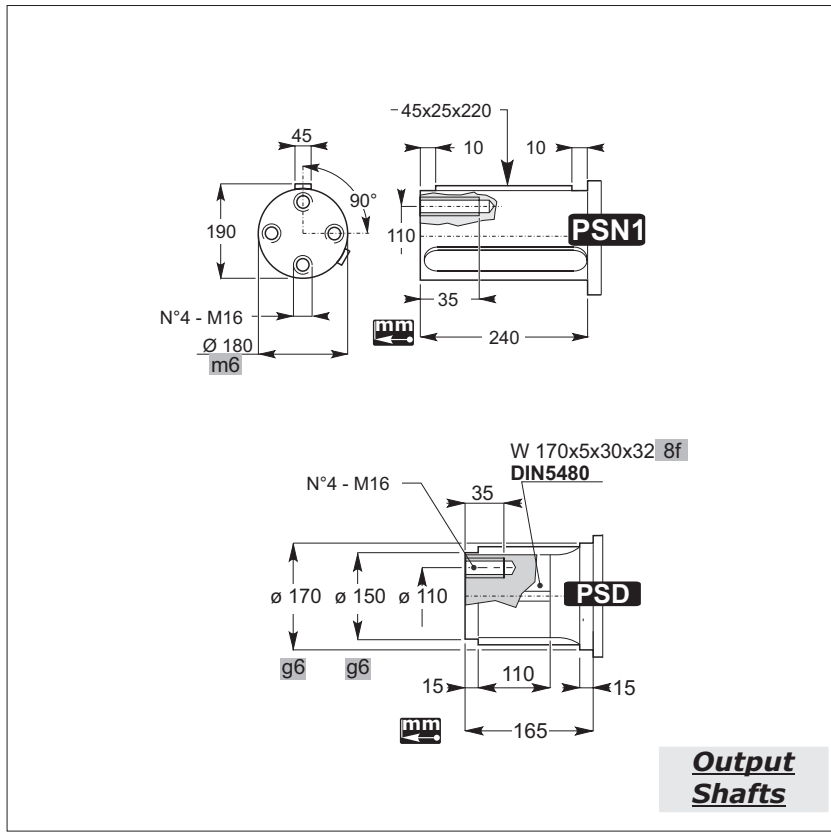
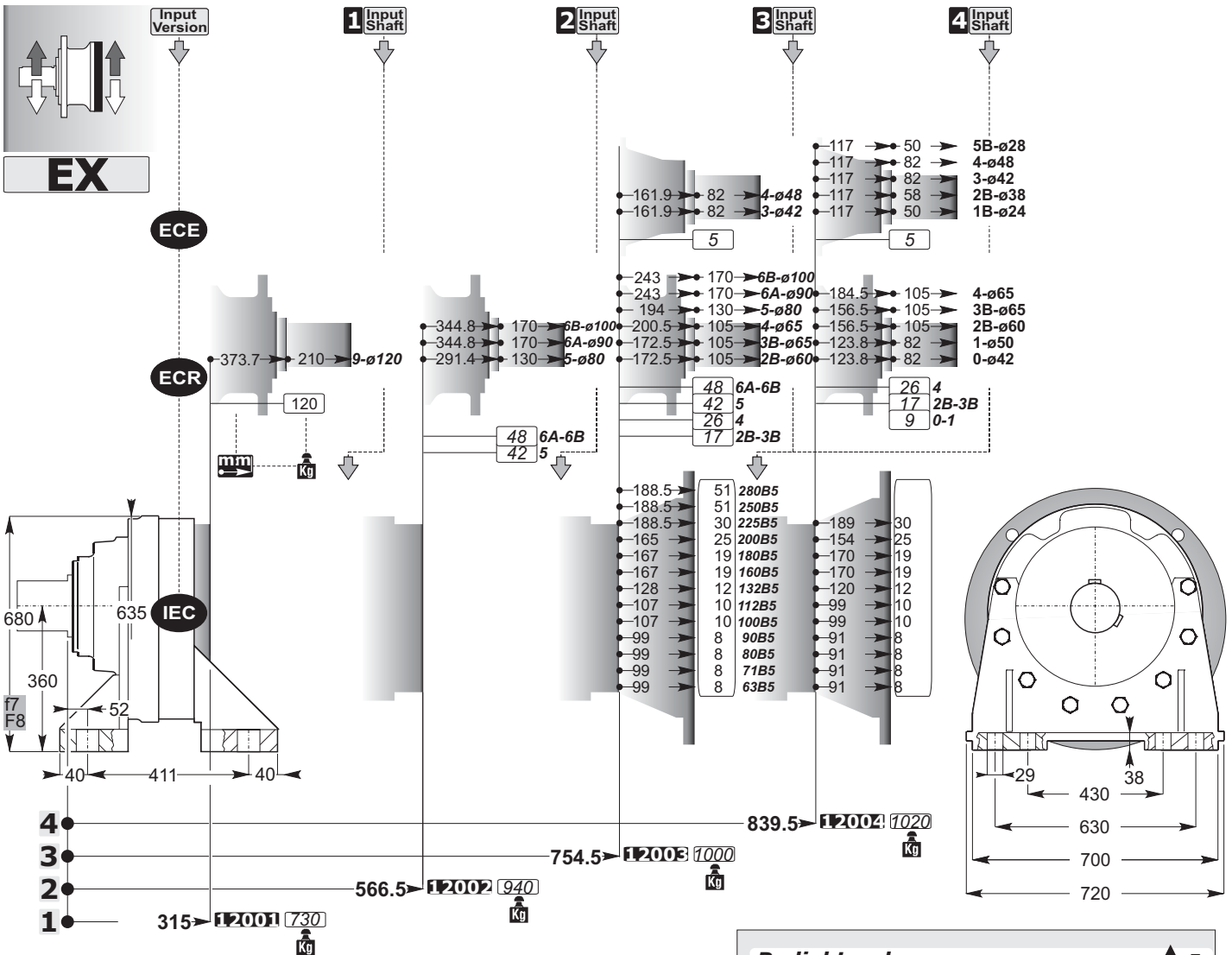


**BD**

27.3 kg



**Accessories**



ECE

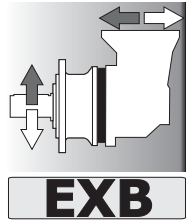
4 Input Shaft → ECE 1 2 3 4 5 B

Input Version

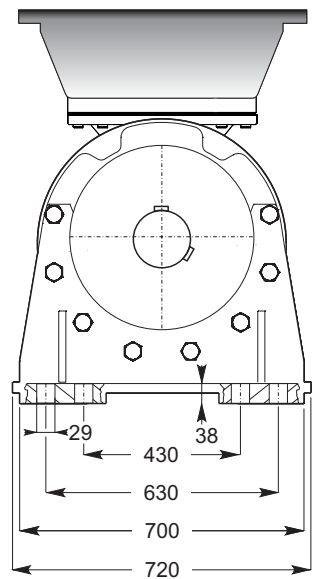
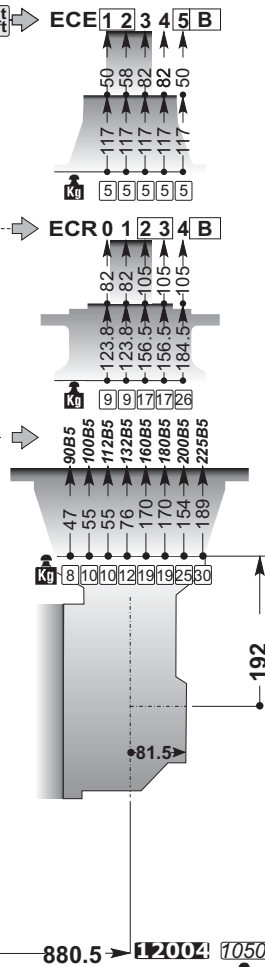
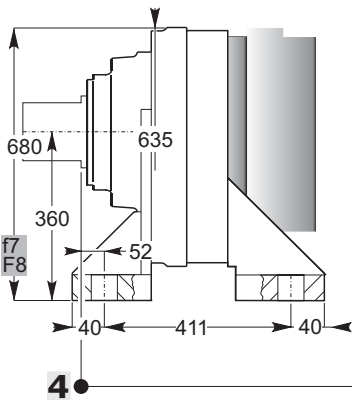
ECR

→ ECR 0 1 2 3 4 B

IEC

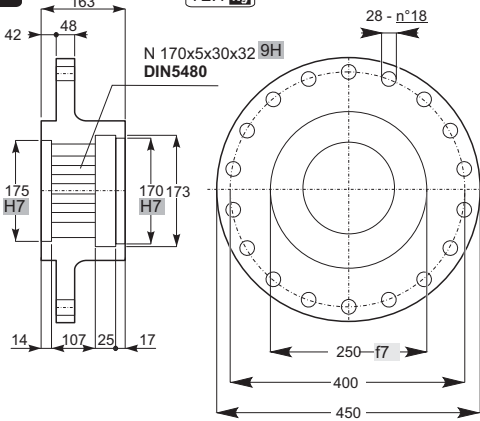


EXB



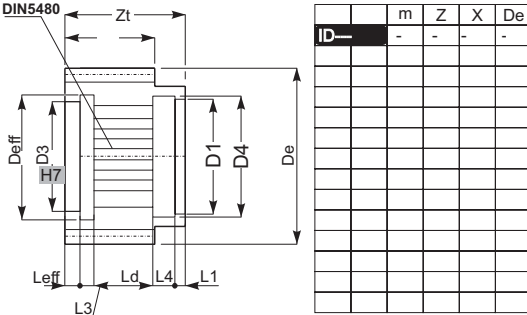
FD

72.1 Kg



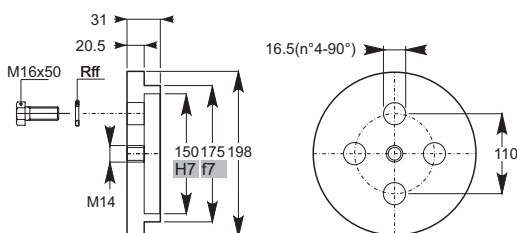
ID

N 170x5x30x32 9H DIN5480



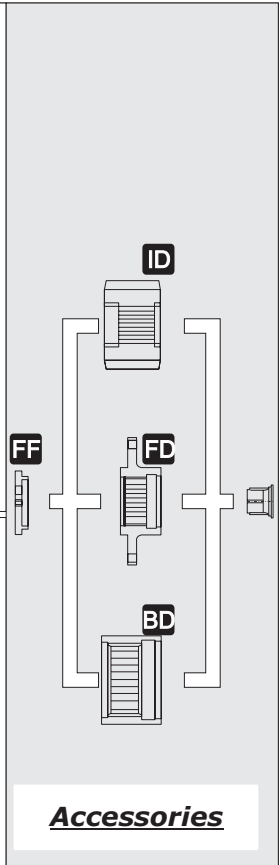
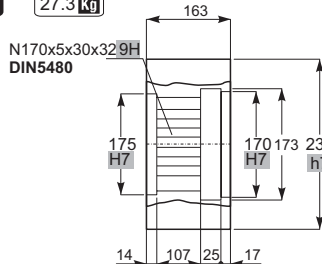
FF

5.3 Kg



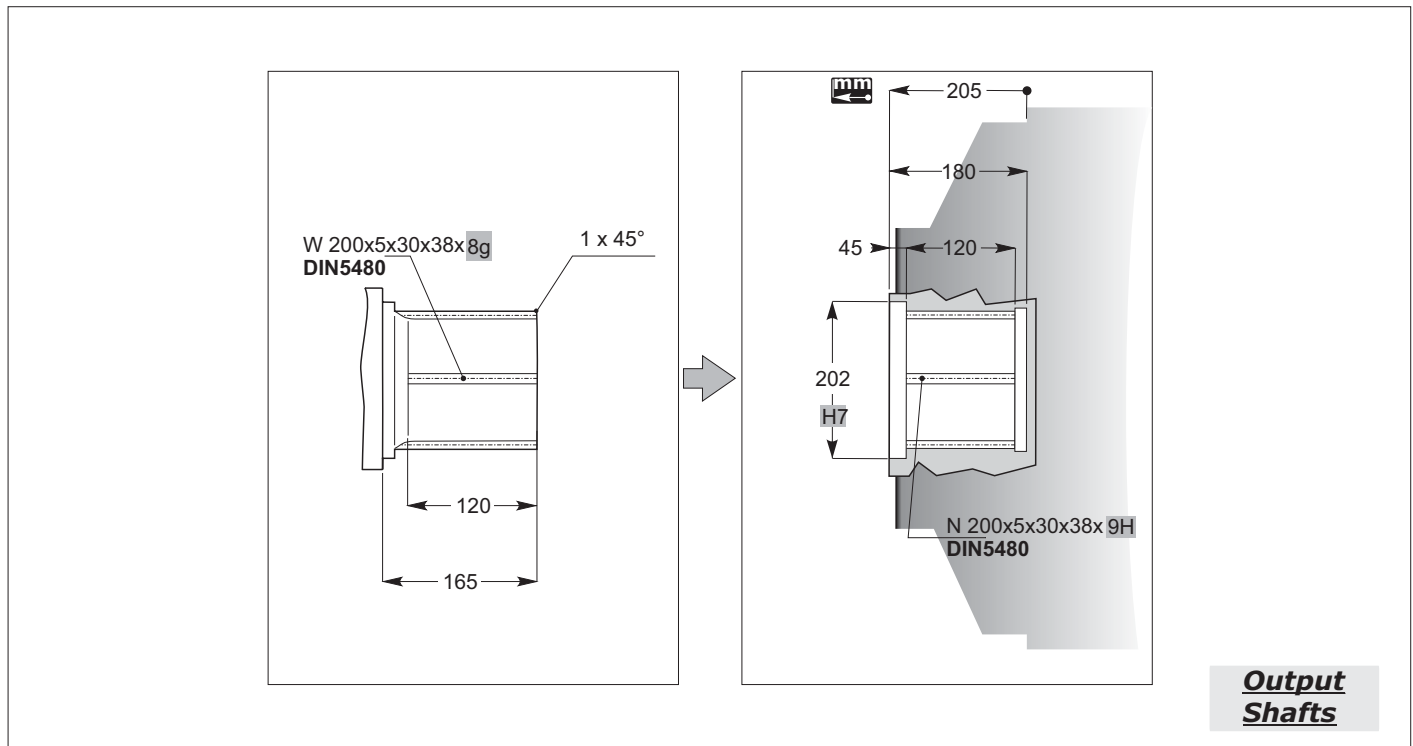
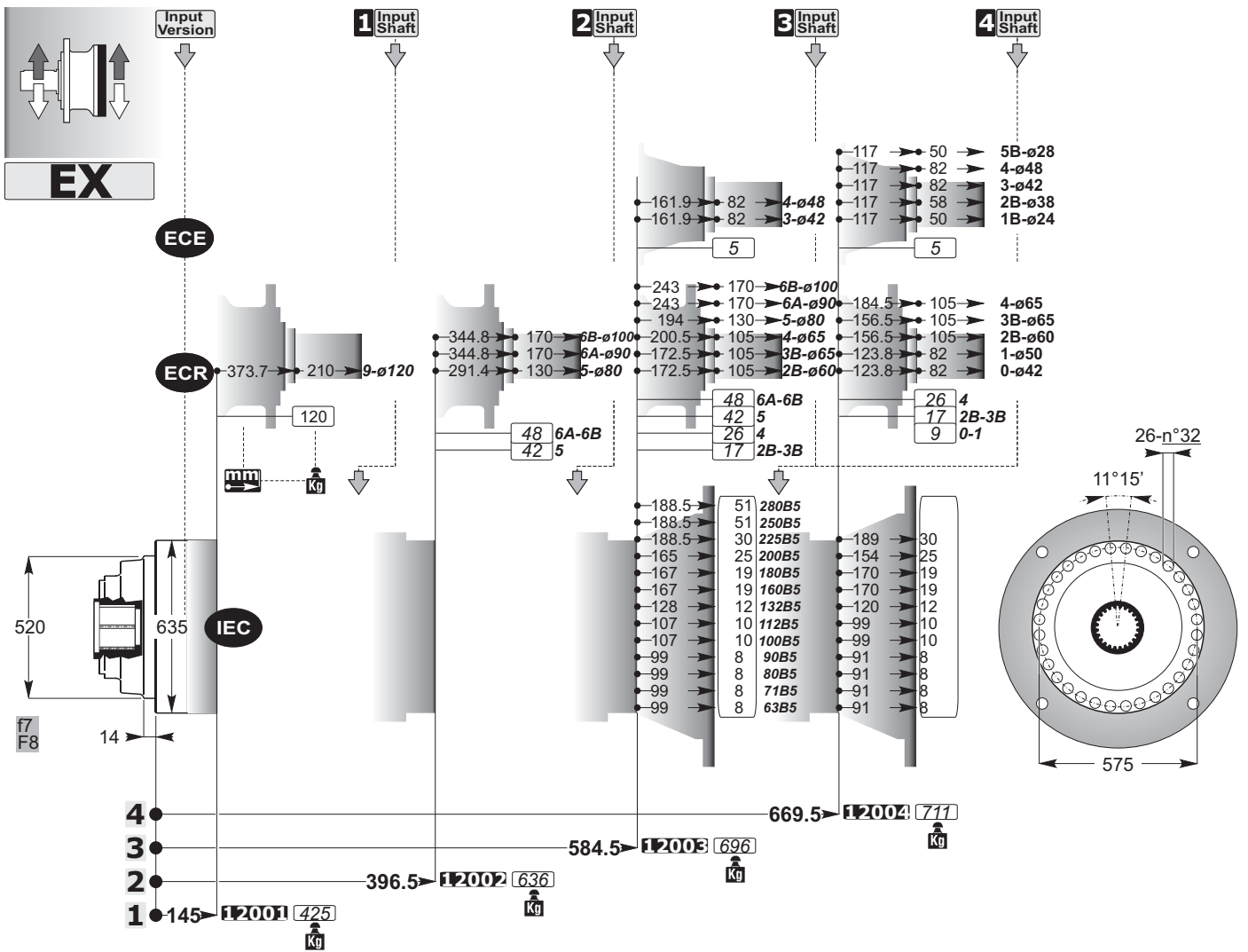
BD

27.3 Kg



Accessories





**ECE**

4 Input Shaft → ECE 1 2 3 4 5 B

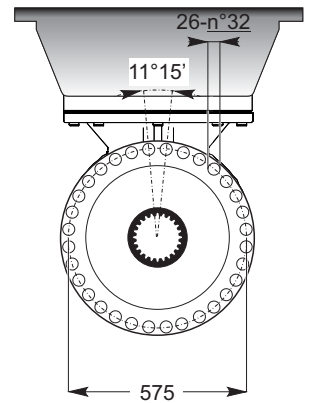
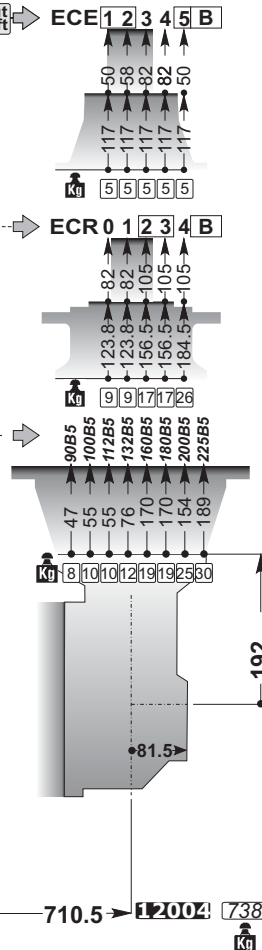
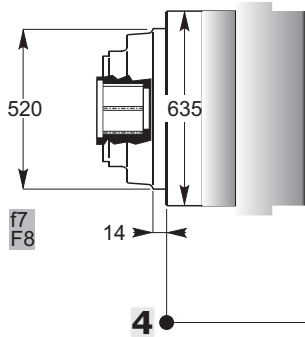
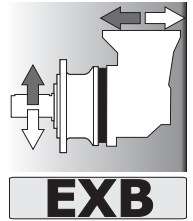
Input Version

**ECR**

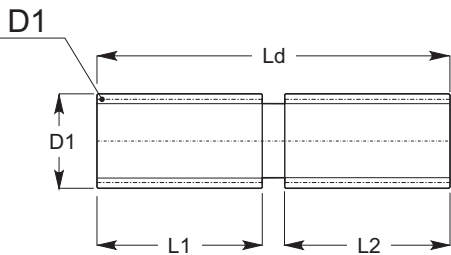
→ ECR 0 1 2 3 4 B

**IEC**

→



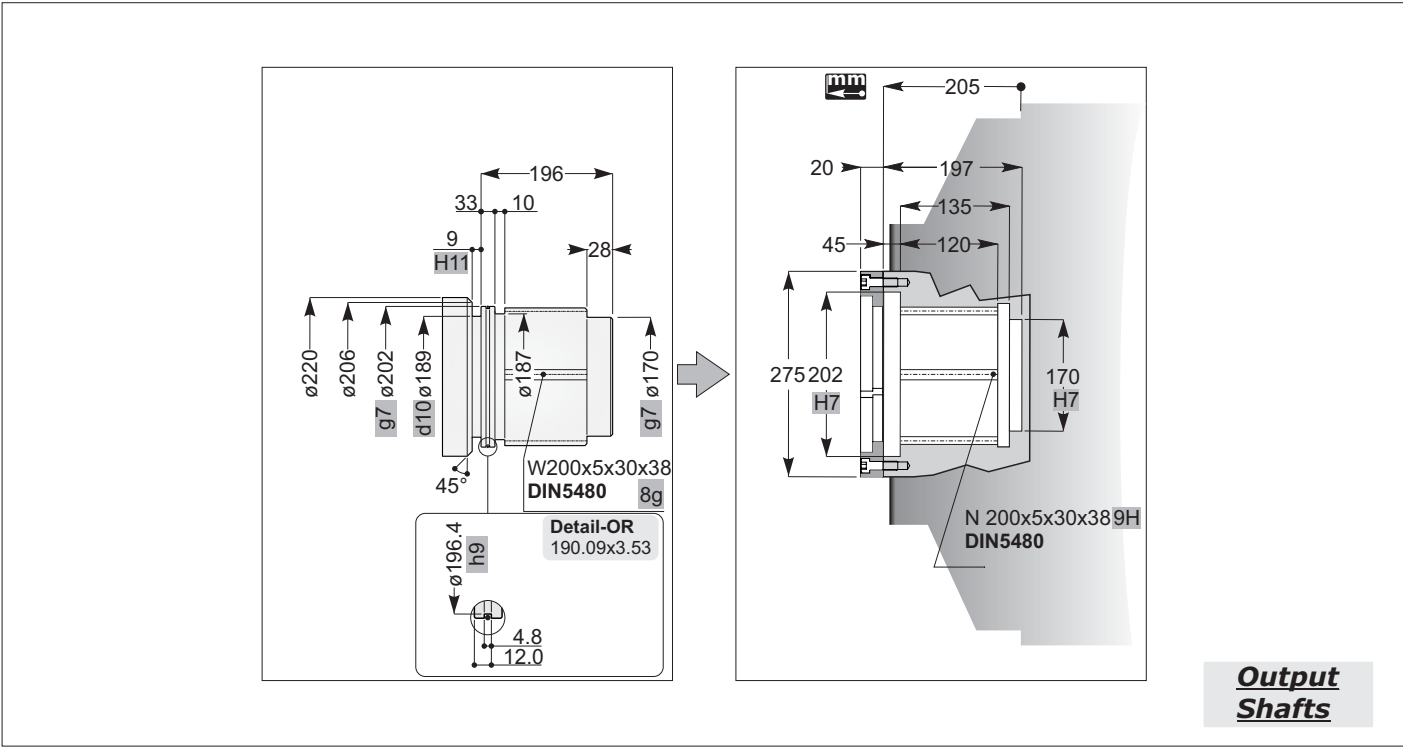
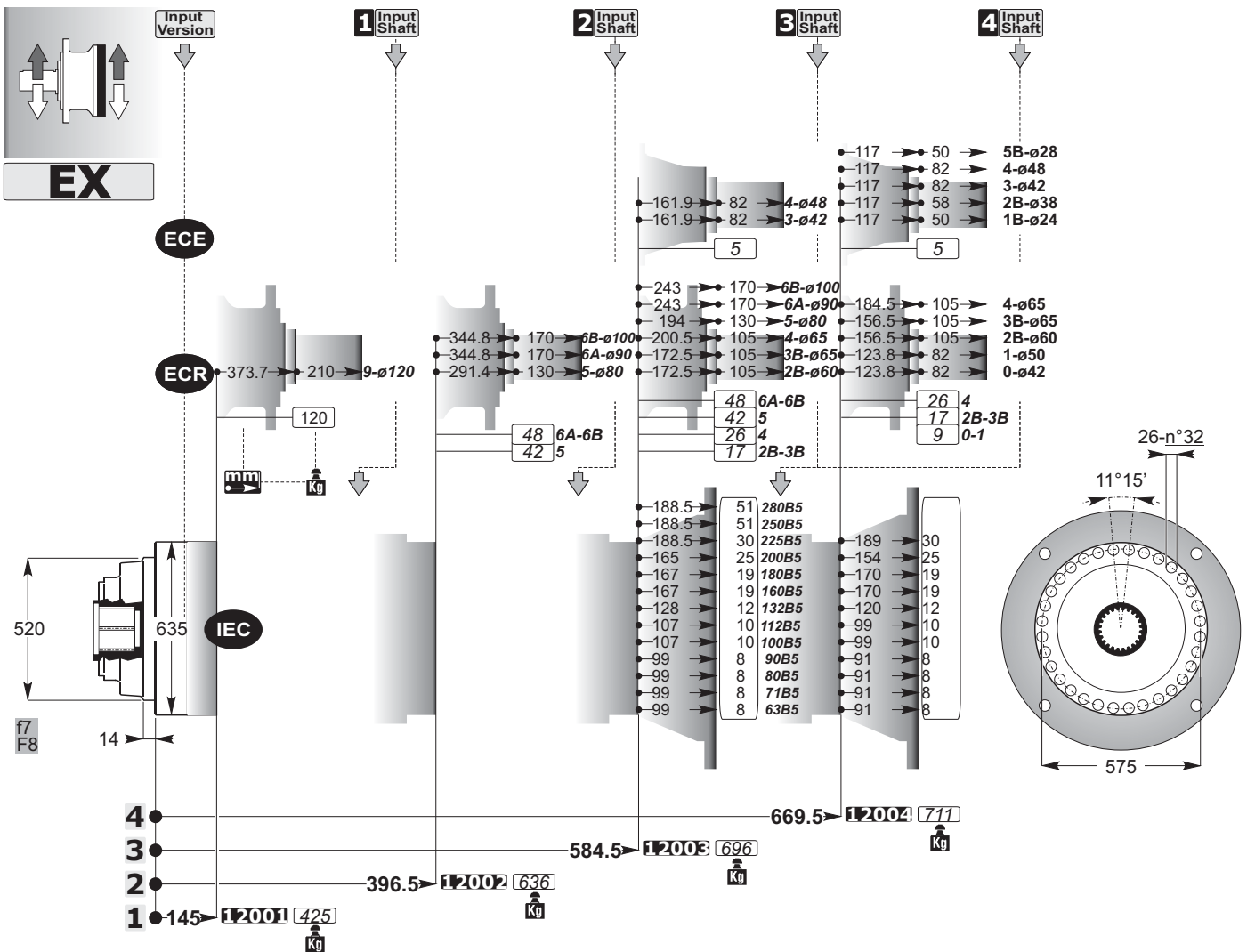
**SD**



**SD**

**Accessories**

mm  
**C**



**Output Shafts**

**ECE**

4 Input Shaft → ECE 1 2 3 4 5 B

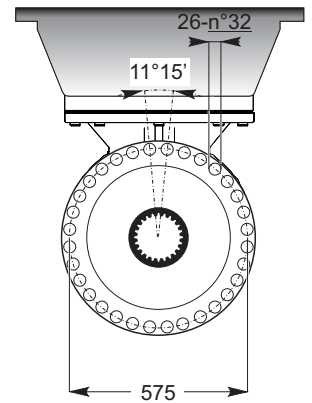
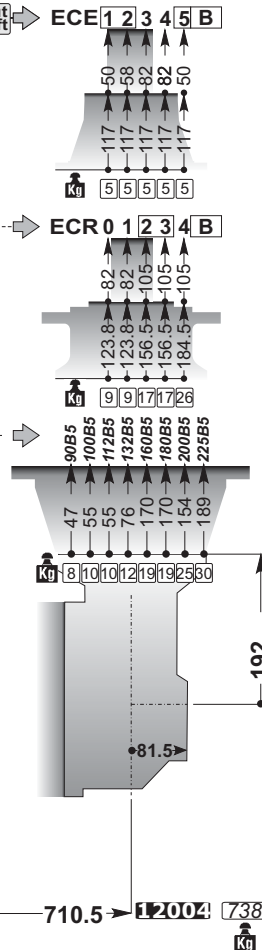
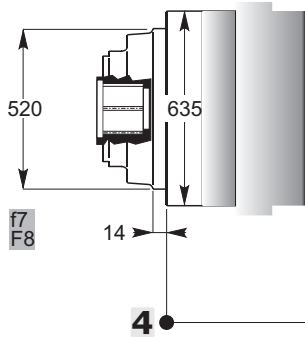
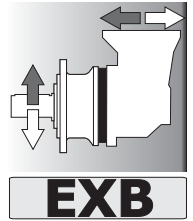
Input Version

**ECR**

→ ECR 0 1 2 3 4 B

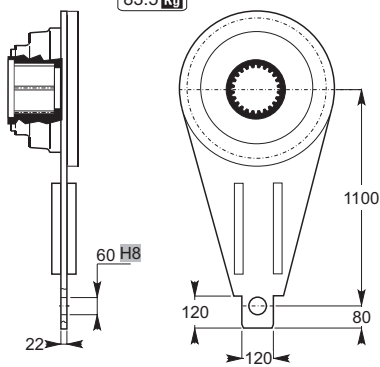
**IEC**

→



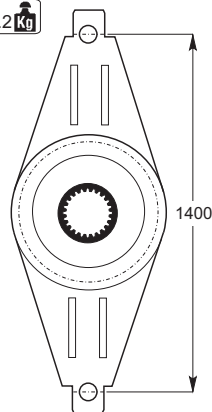
**BRS**

83.5 kg



**BRD**

76.2 kg



mm

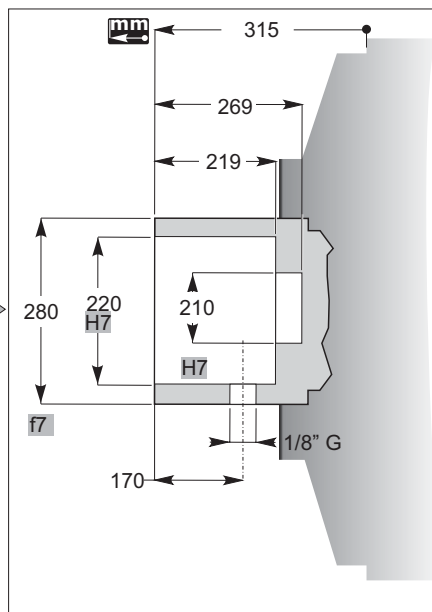
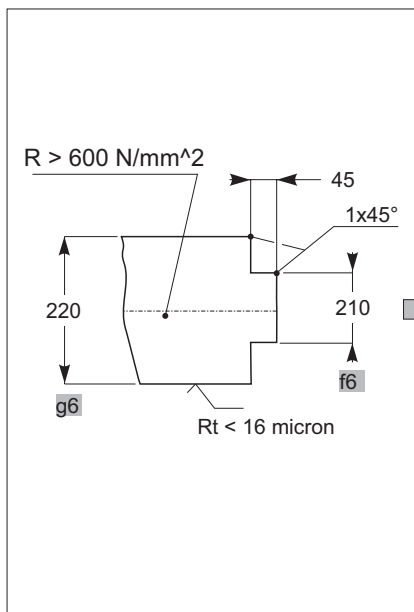
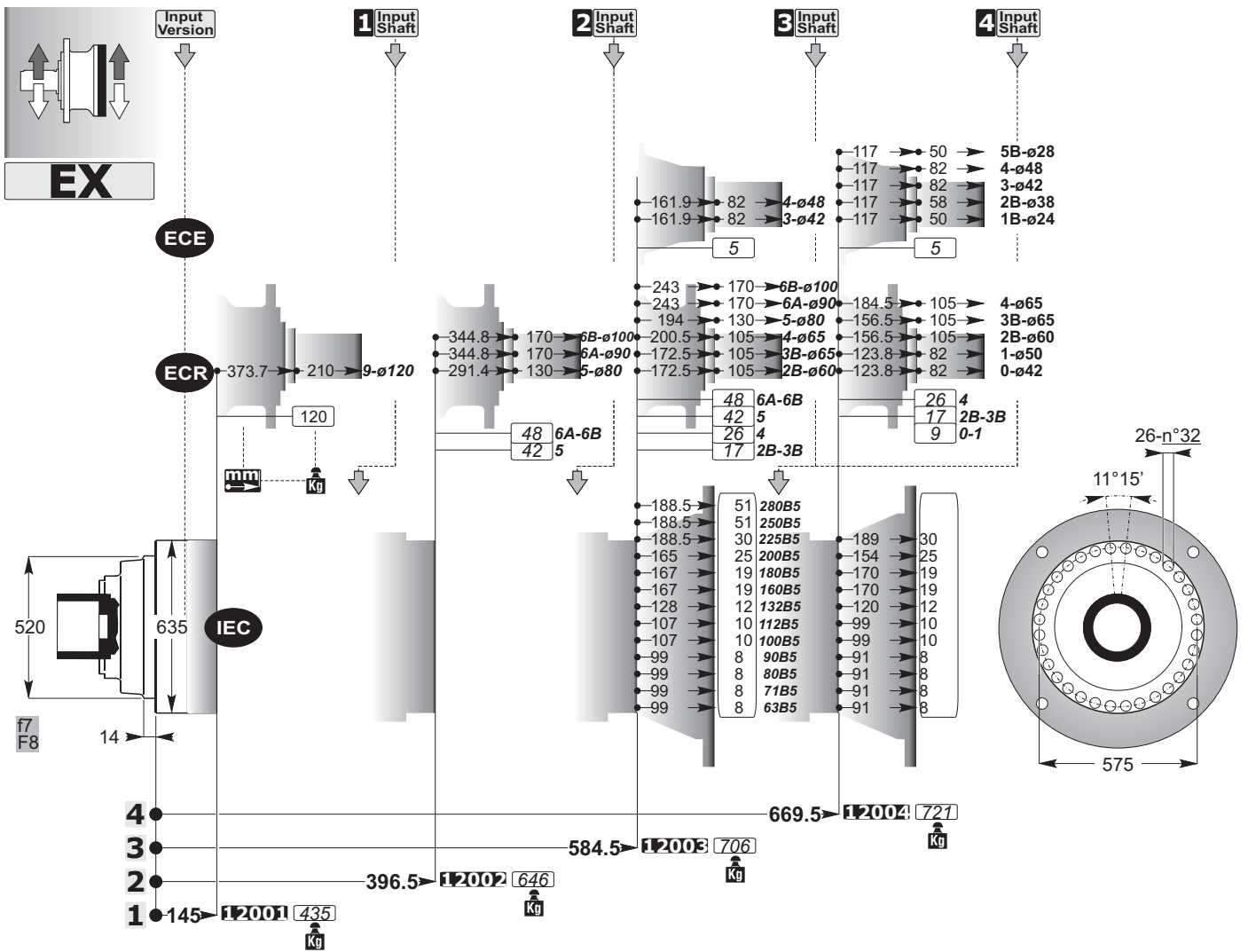
**C**

**BRD**

**BRS**

**Accessories**





**Output Shafts**

**ECE**

4 Input Shaft → ECE 1 2 3 4 5 B

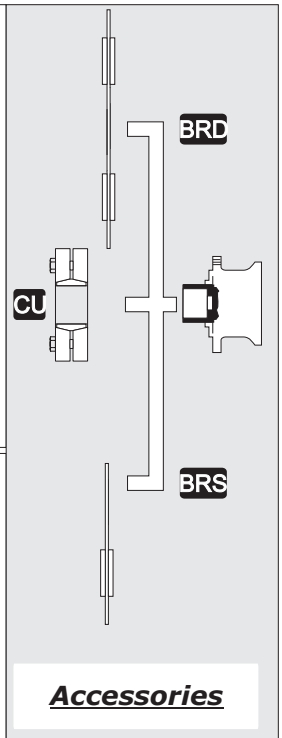
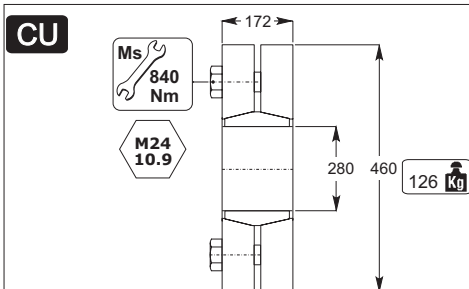
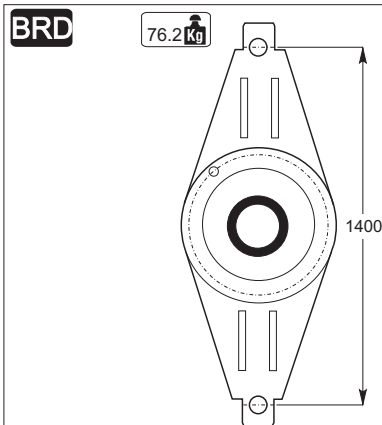
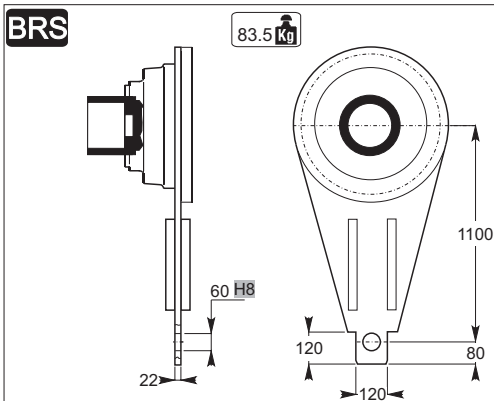
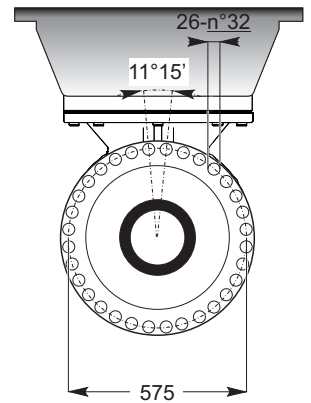
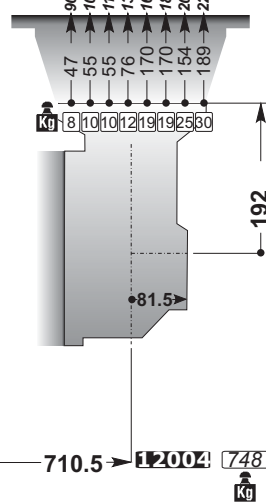
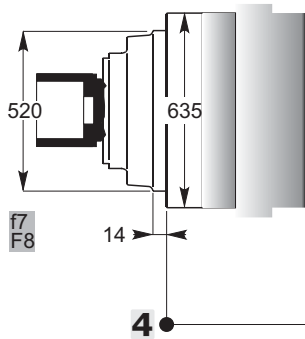
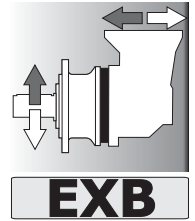
Input Version

**ECR**

→ ECR 0 1 2 3 4 B

**IEC**

→



mm  
**C**