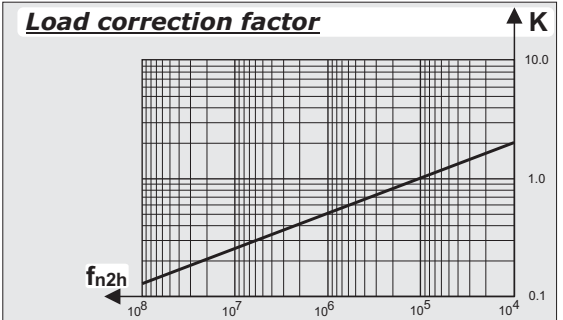
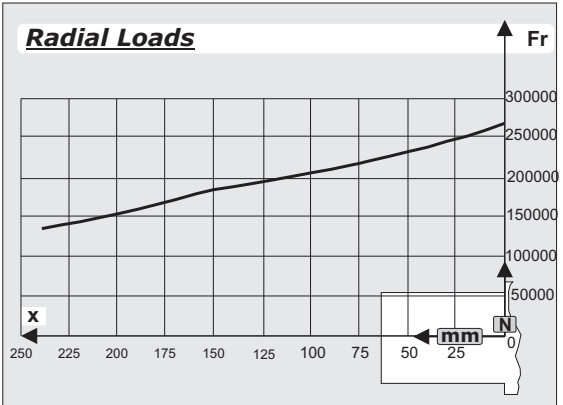
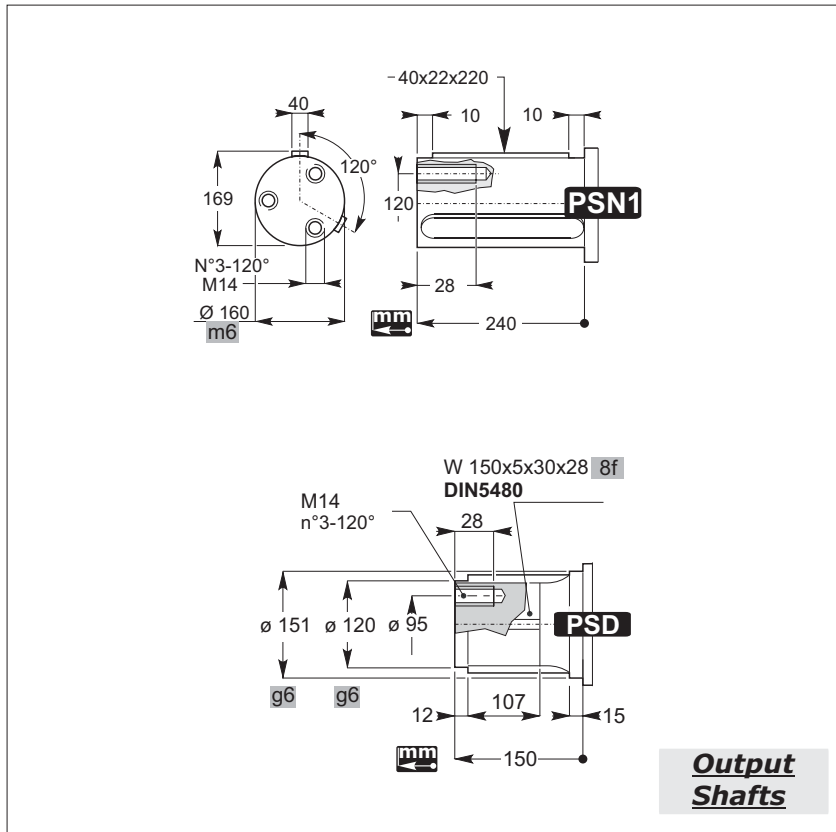
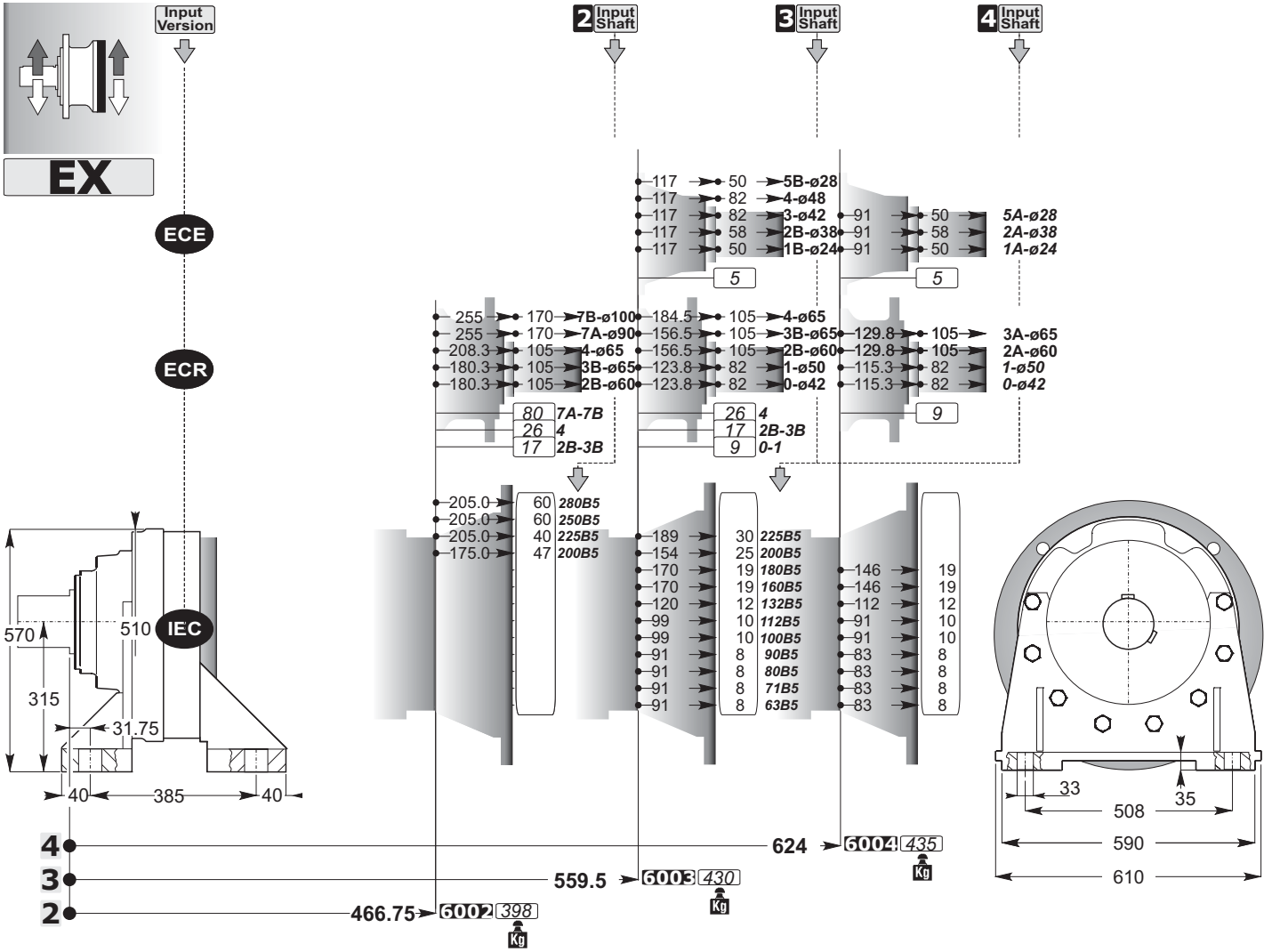


mm
C



ECE

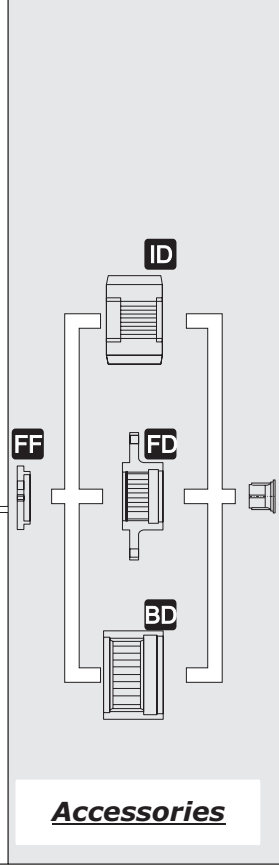
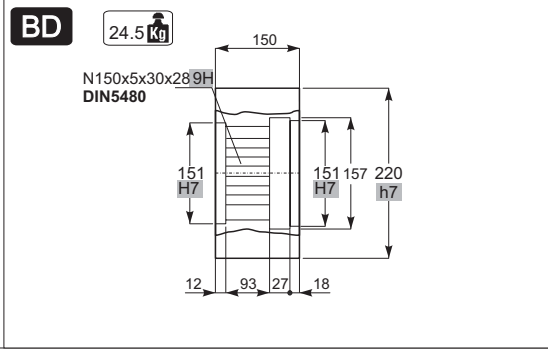
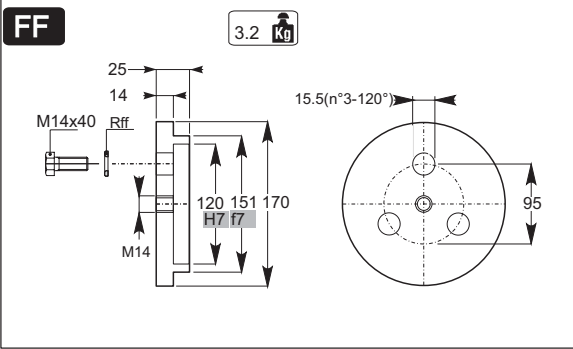
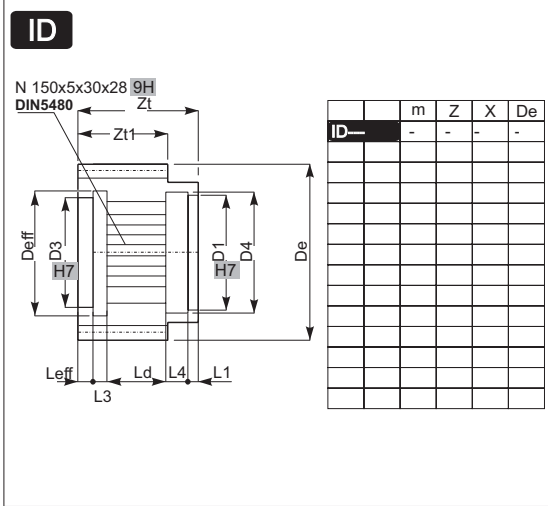
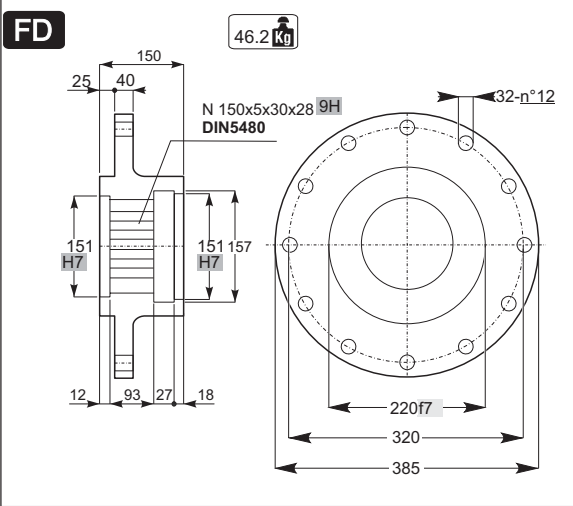
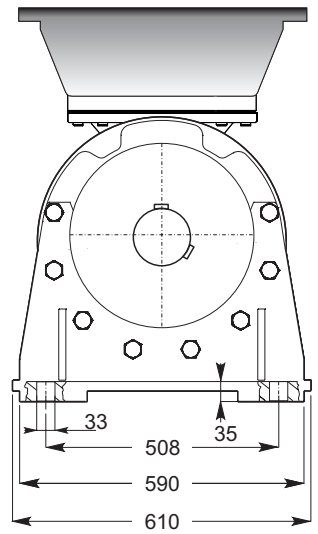
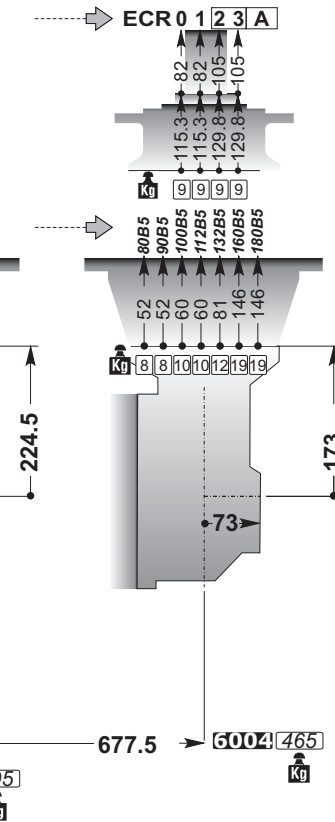
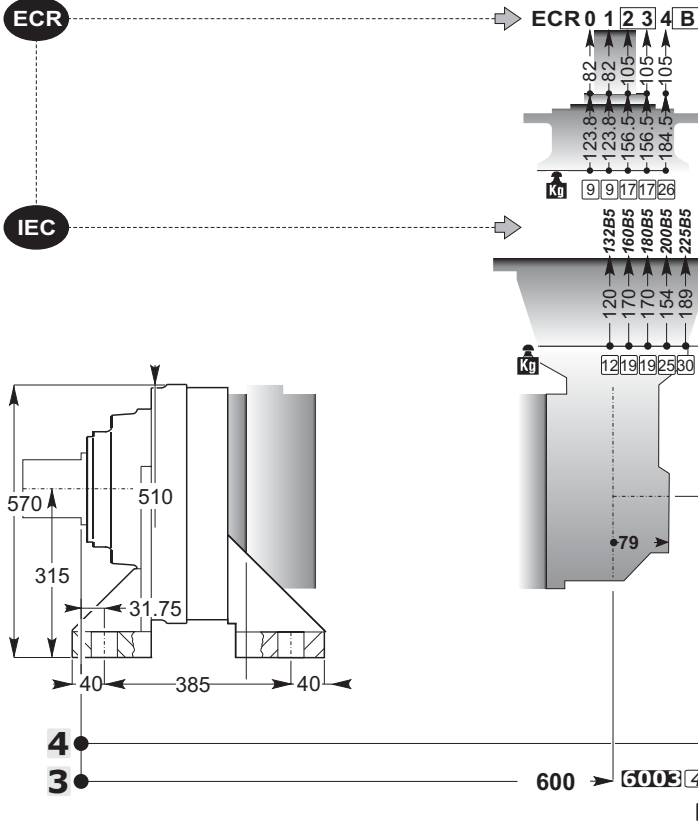
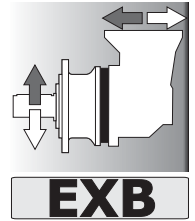
Input Version

ECR

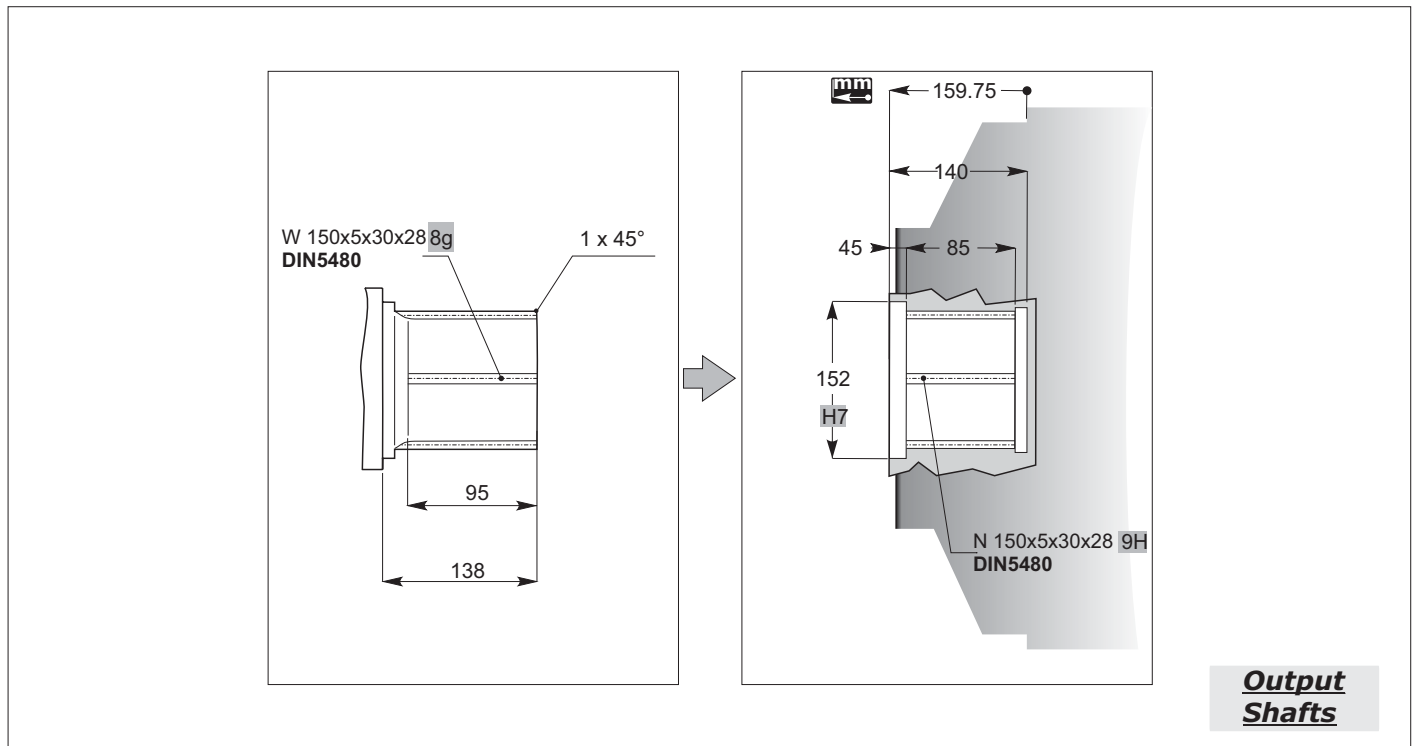
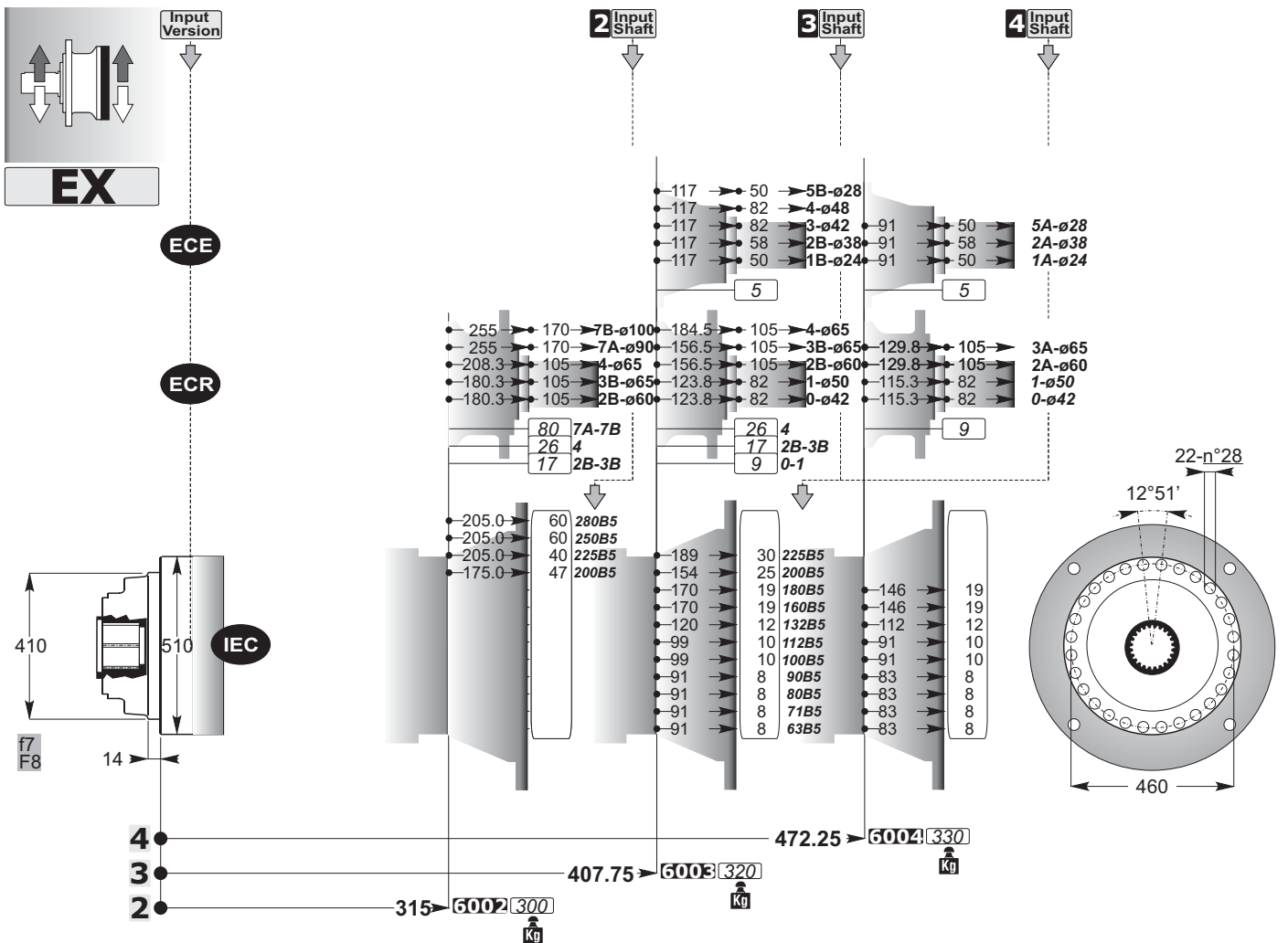
IEC

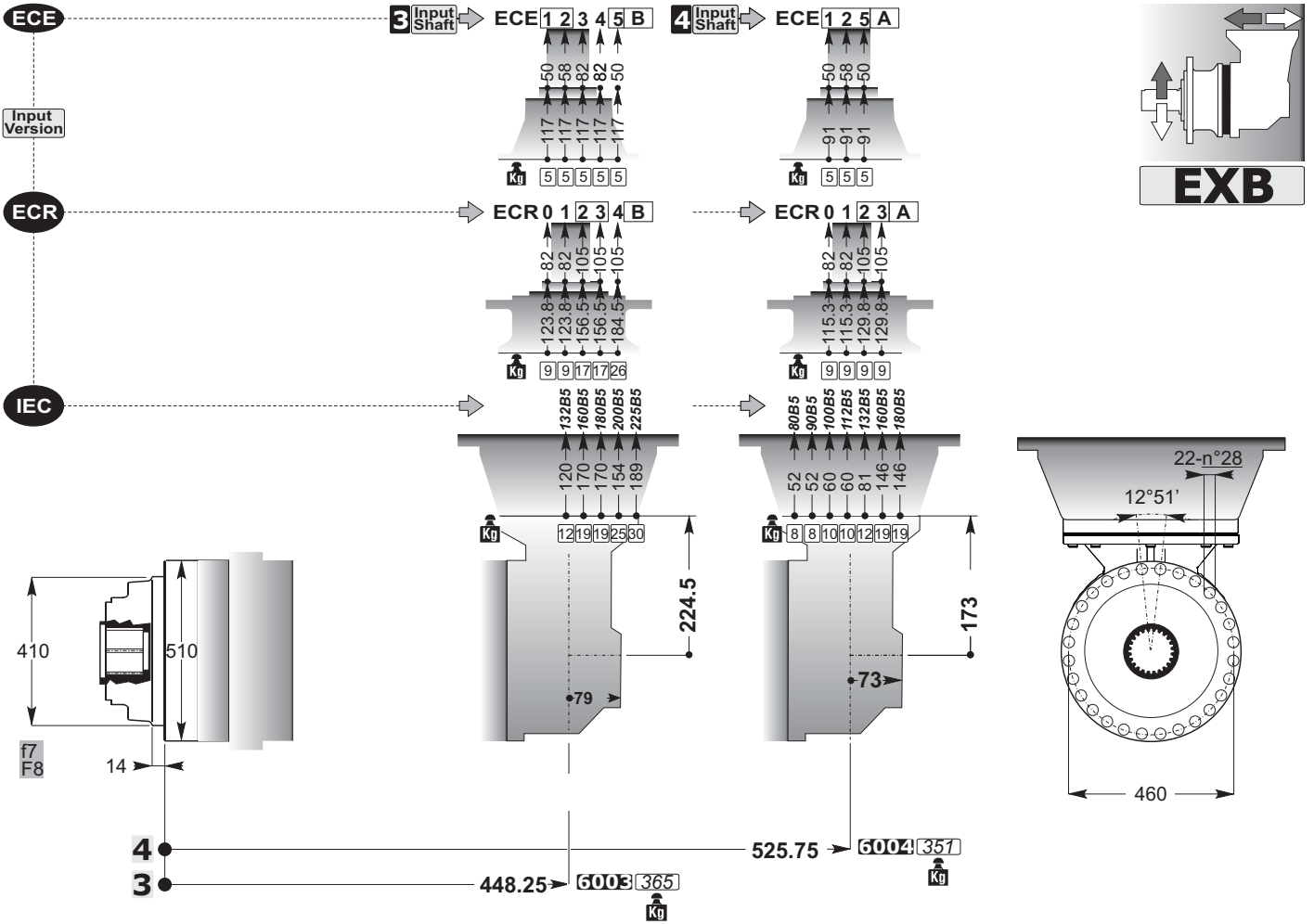
3 Input Shaft

4 Input Shaft

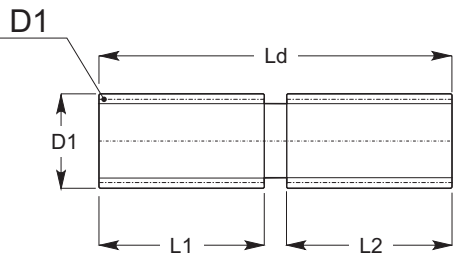


mm
C



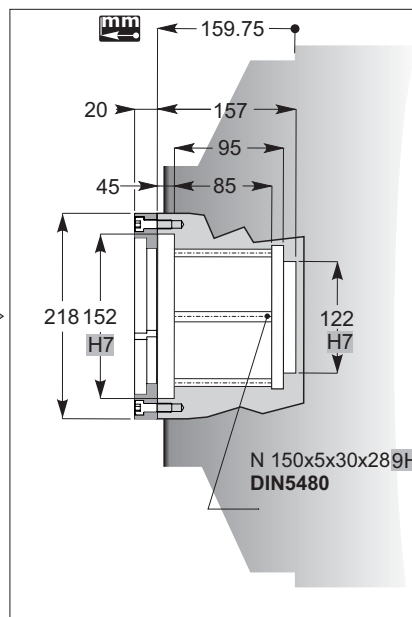
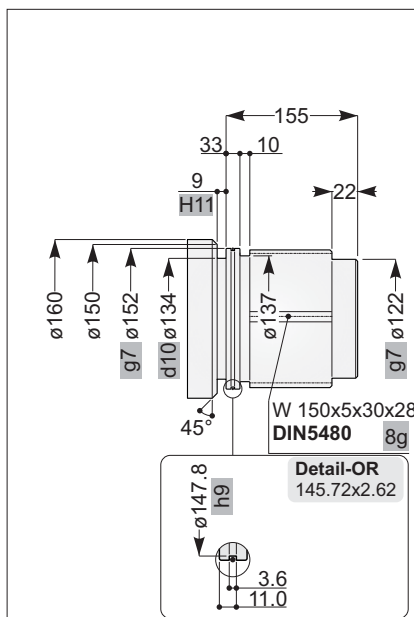
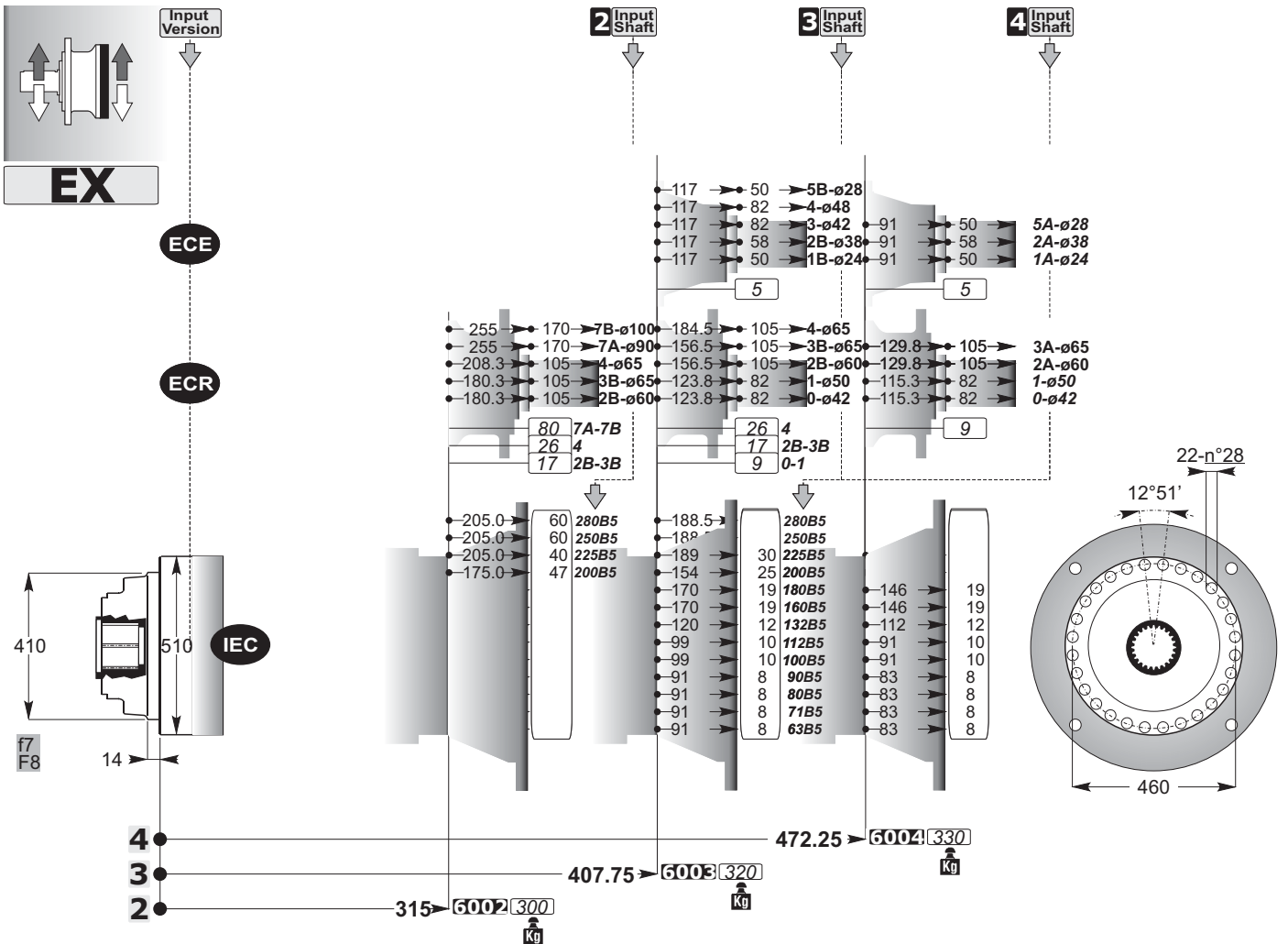


SD

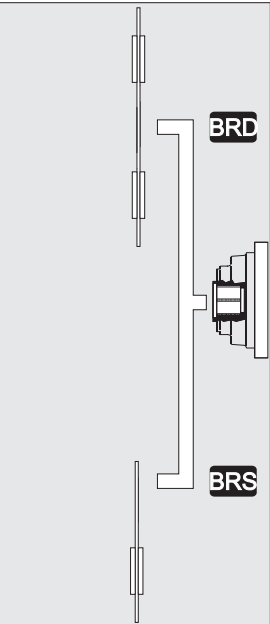
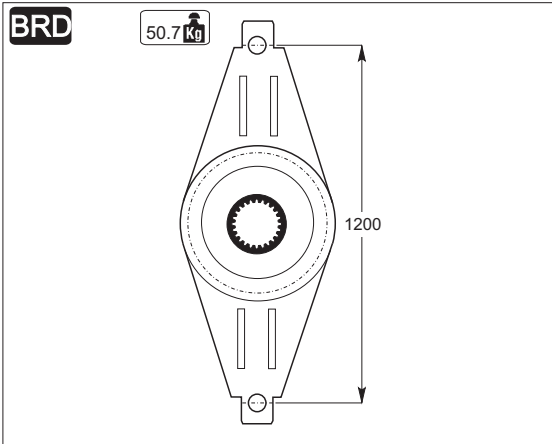
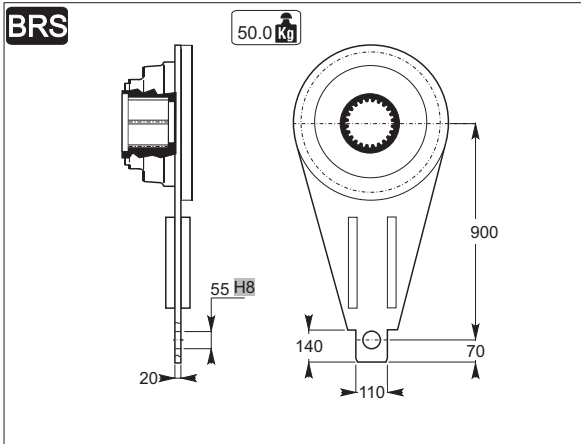
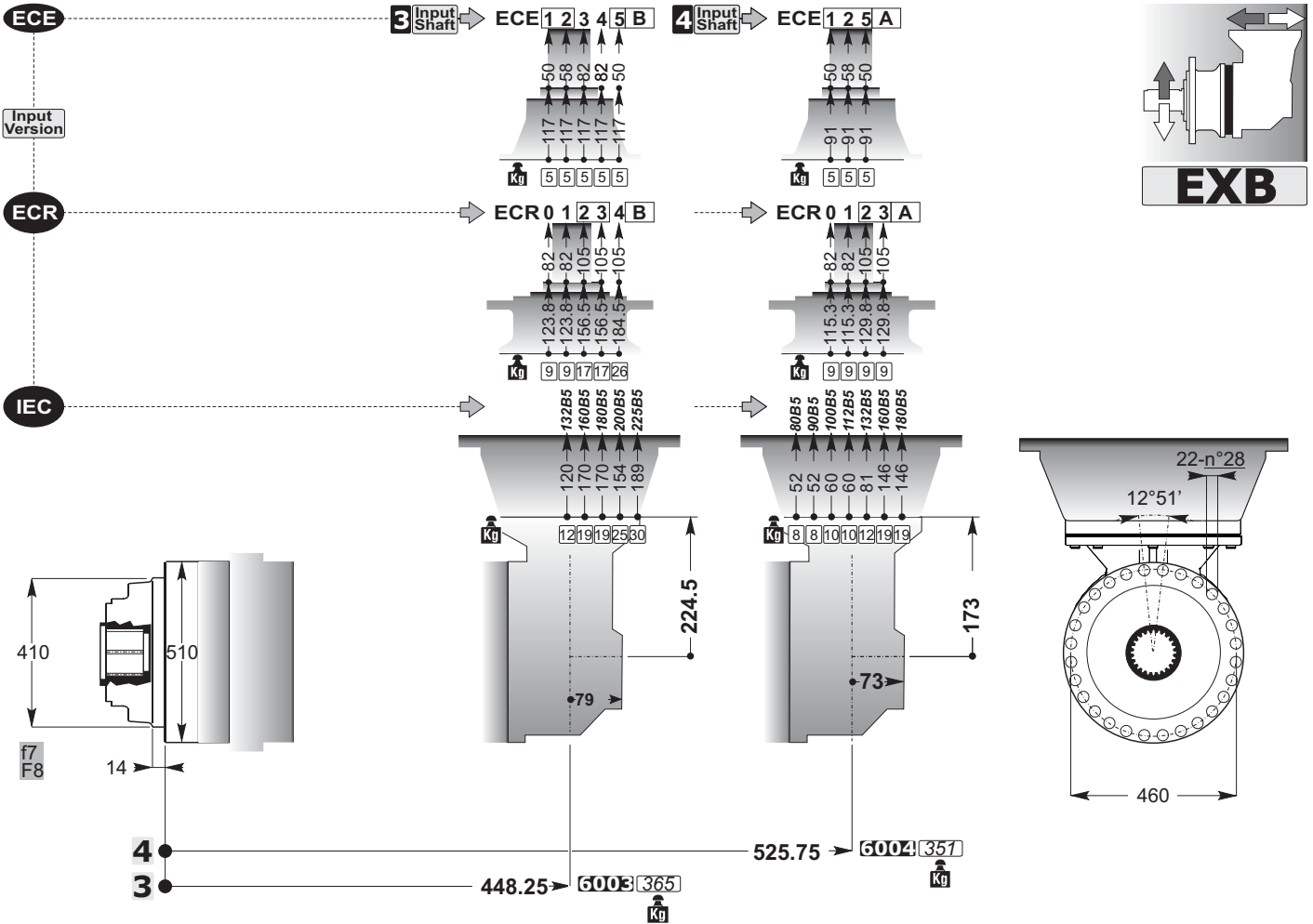


Accessories

mm
C

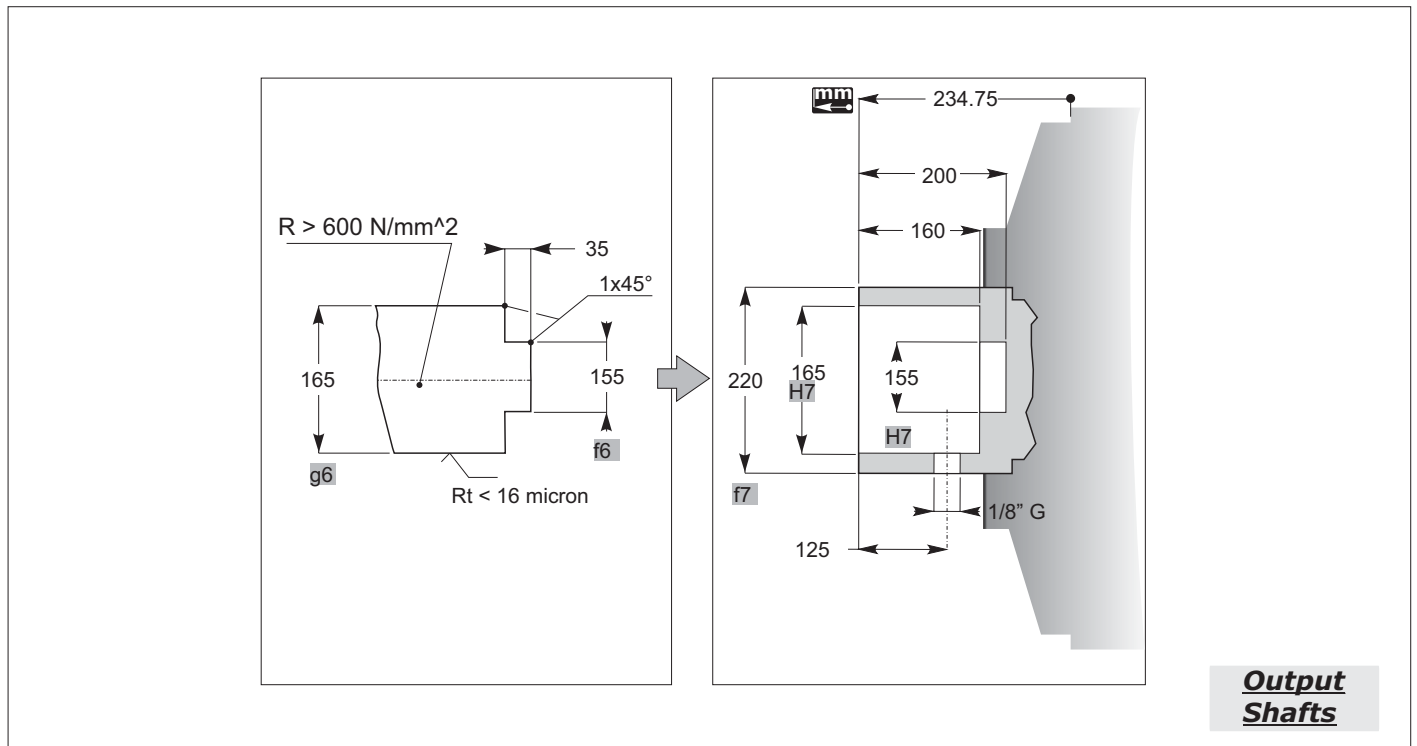
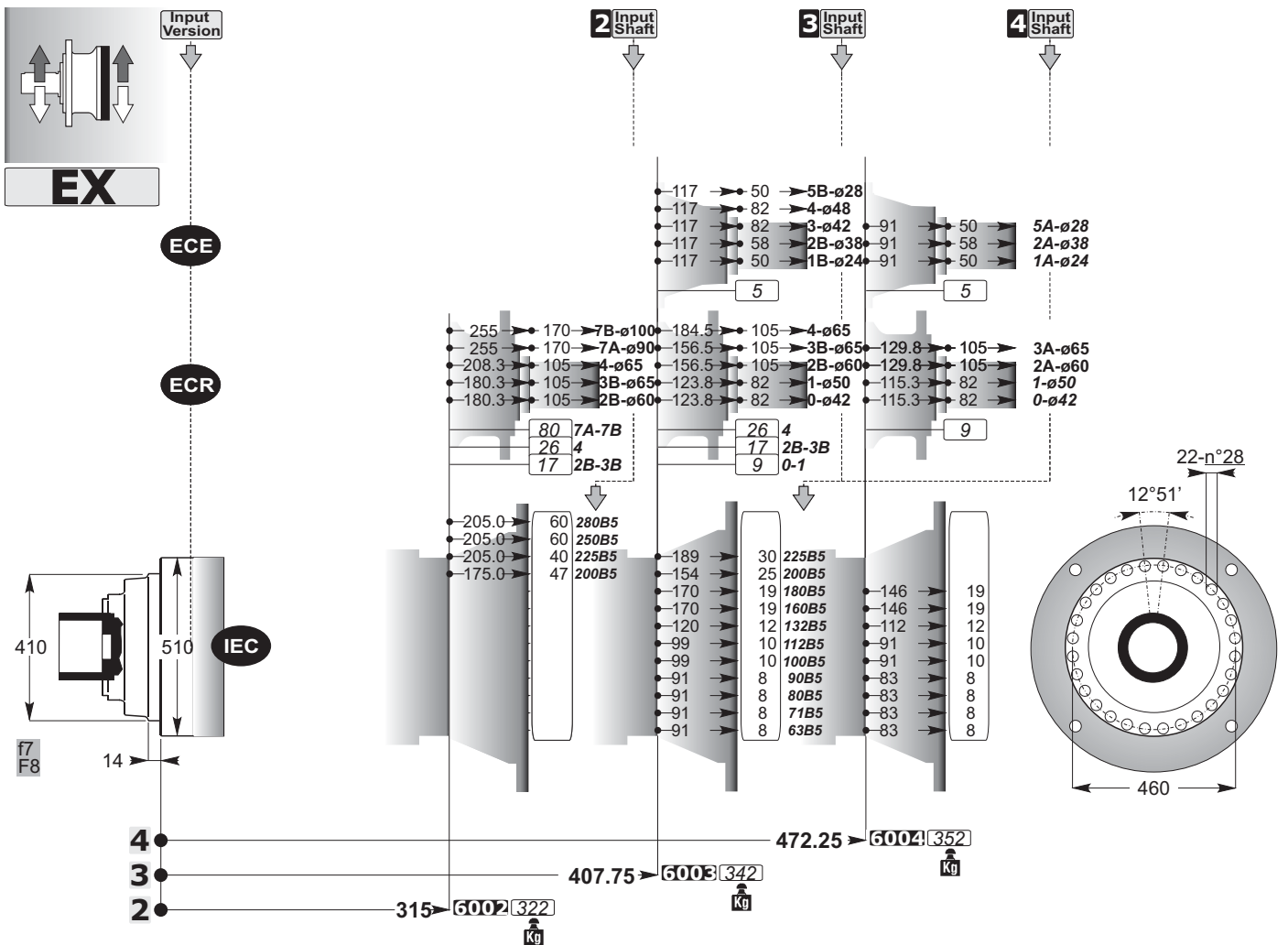


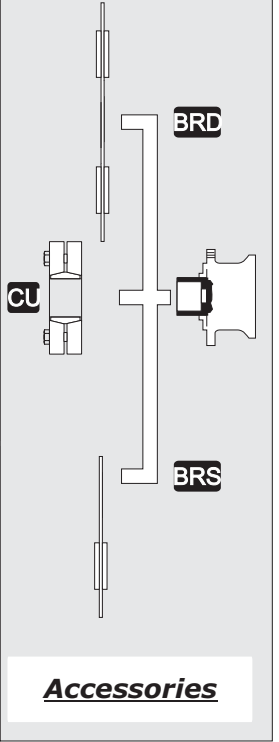
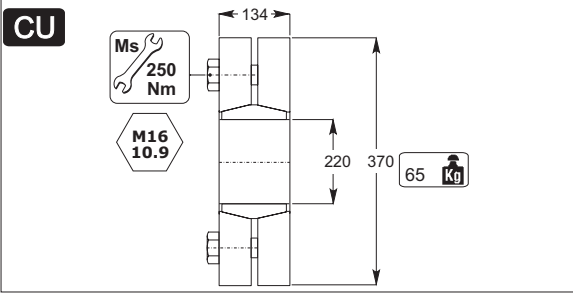
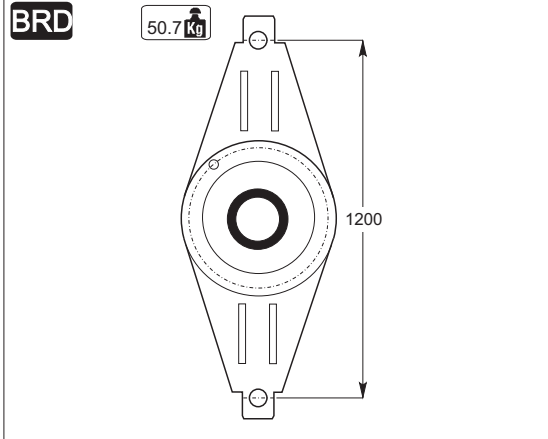
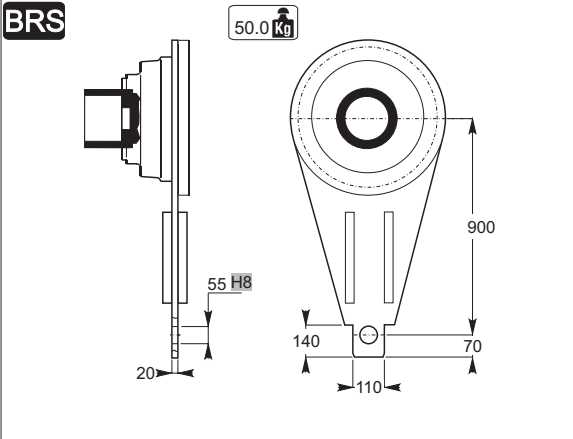
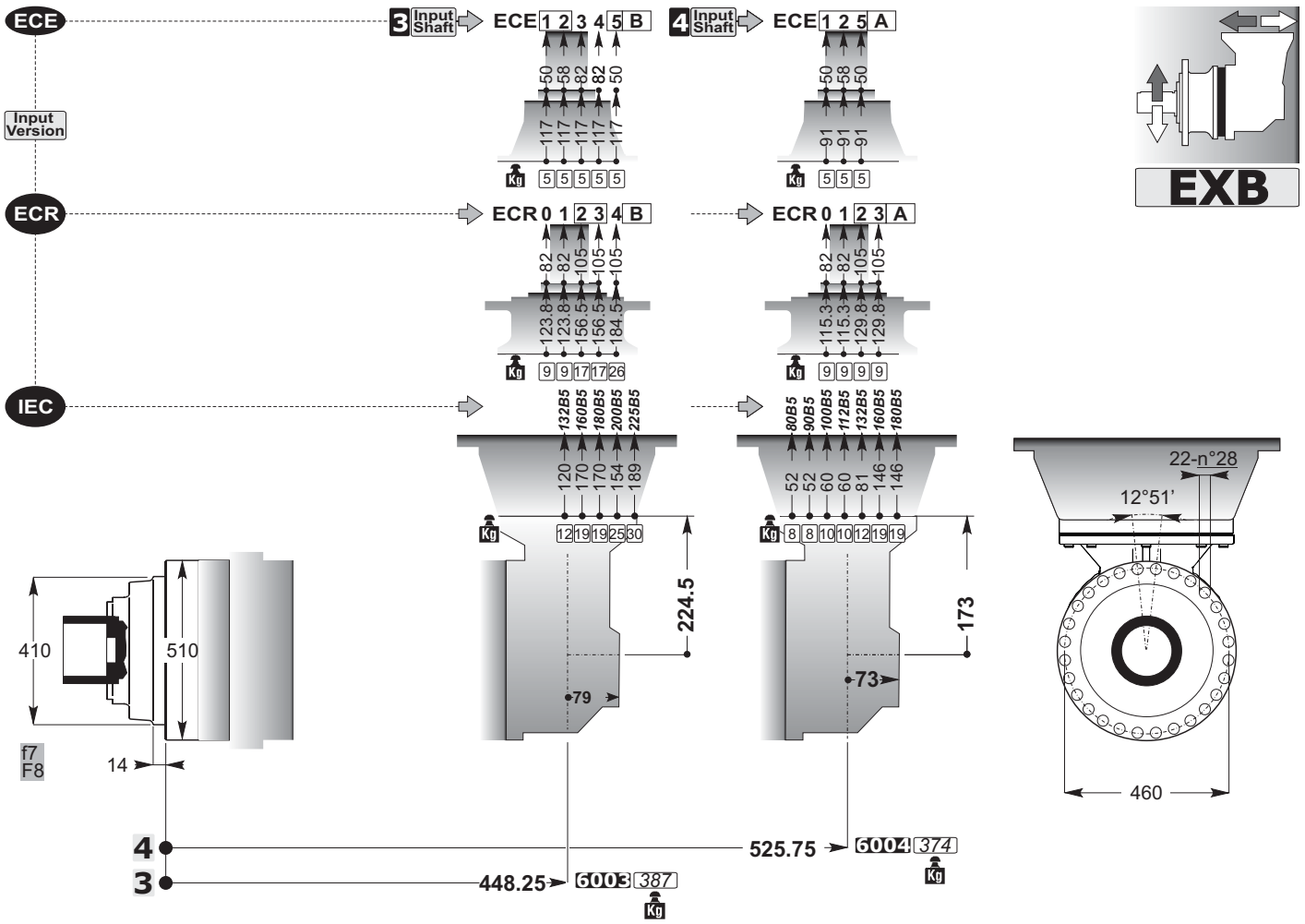
Output Shafts



Accessories

mm
C





mm
C