

ECE

4 Input Shaft → ECE 1 2 3 4 5 B

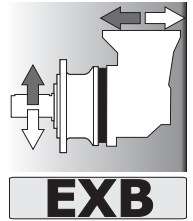
Input Version

ECR

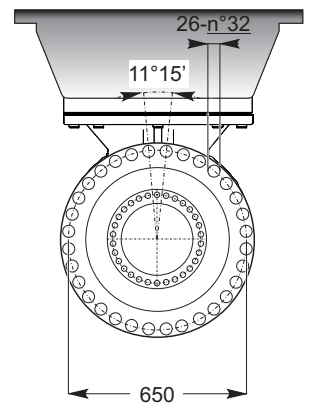
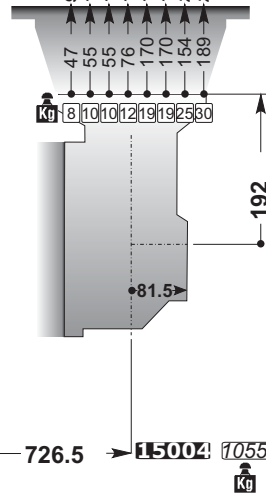
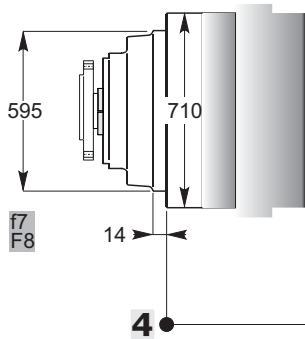
→ ECR 0 1 2 3 4 B

IEC

→

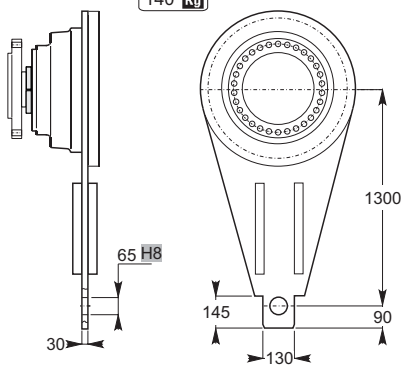


EXB



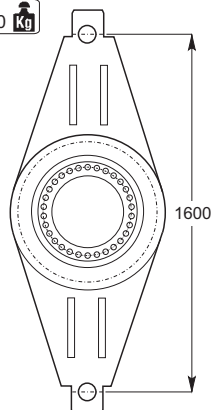
BRS

140 Kg



BRD

120 Kg



mm

C

BRD

BRS

Accessories

ECE

4 Input Shaft → ECE 1 2 3 4 5 B

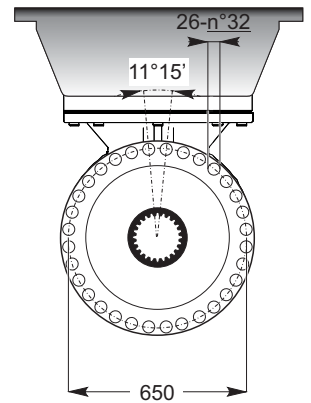
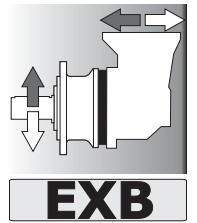
Input Version

ECR

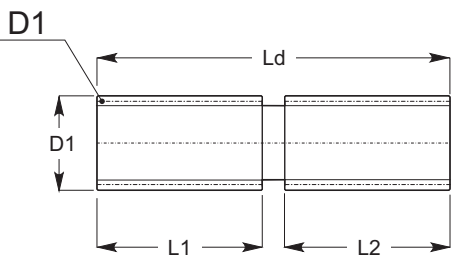
→ ECR 0 1 2 3 4 B

IEC

→



SD

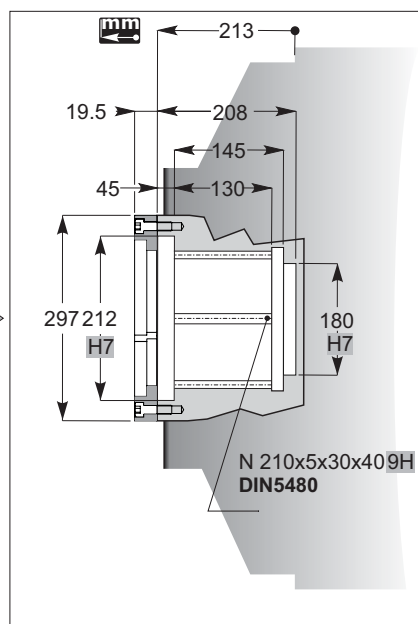
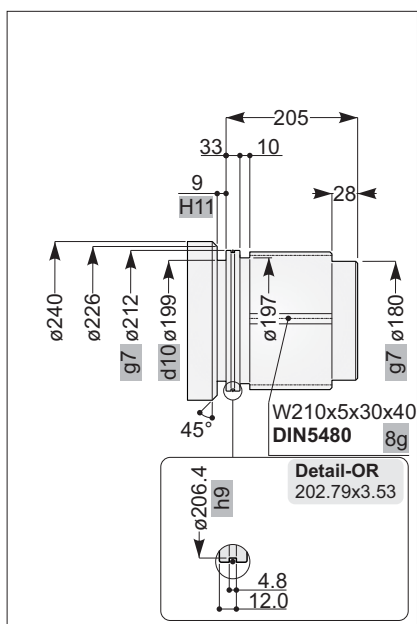
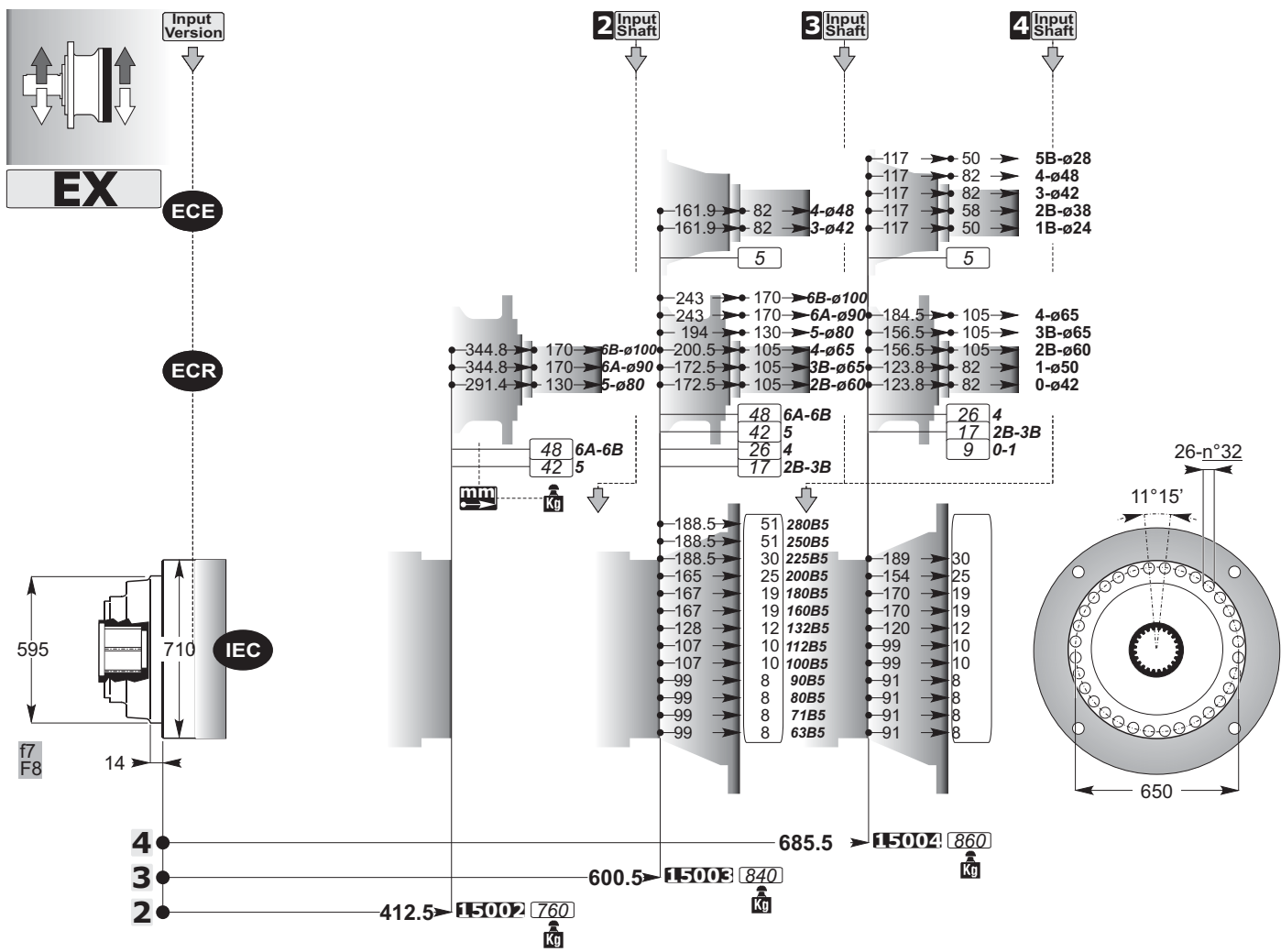


On request



Accessories

mm
C



Output Shafts

ECE

4 Input Shaft → ECE 1 2 3 4 5 B

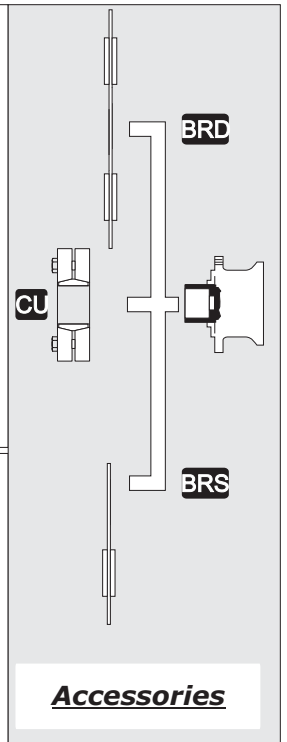
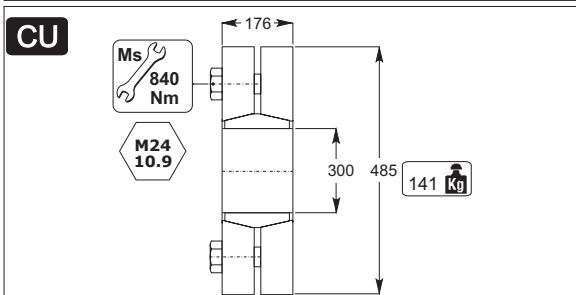
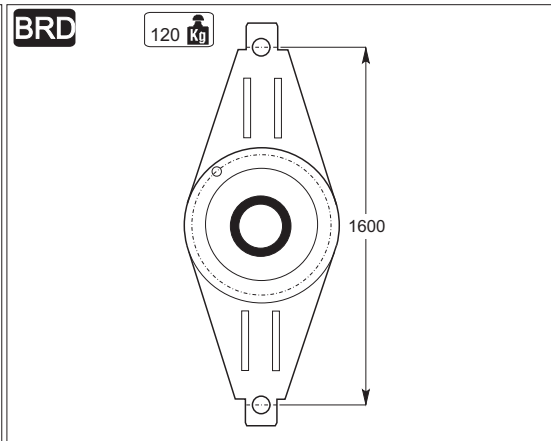
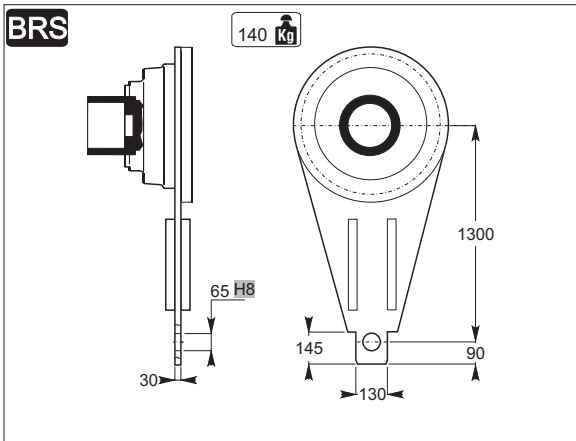
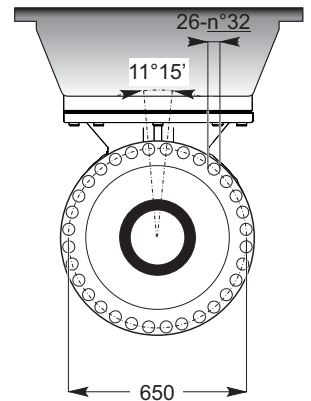
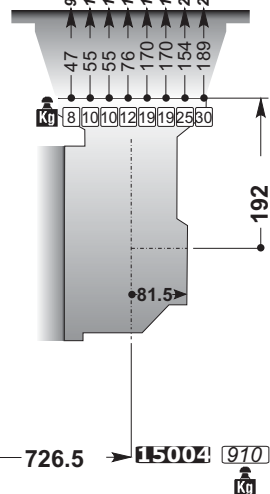
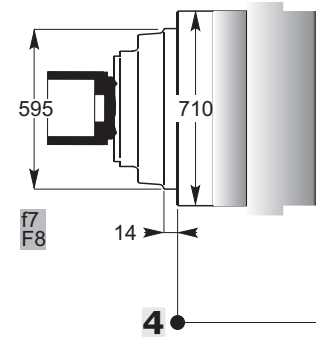
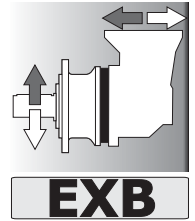
Input Version

ECR

→ ECR 0 1 2 3 4 B

IEC

→



mm
C