

ECE

4 Input Shaft

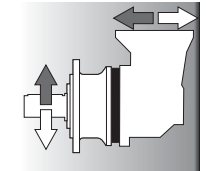
ECE 1 2 3 4 5 B

Input Version

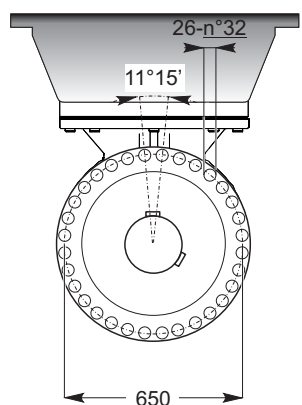
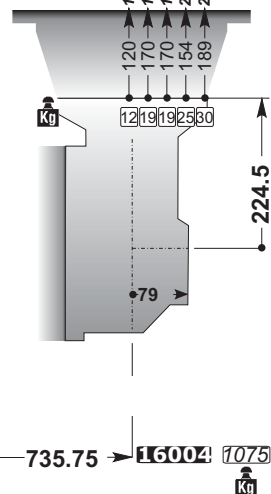
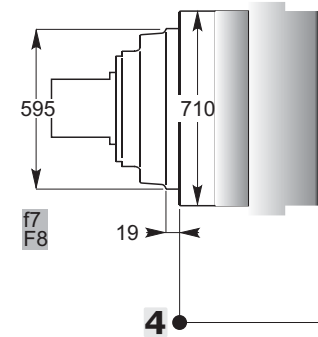
ECR

ECR 0 1 2 3 4 B

IEC



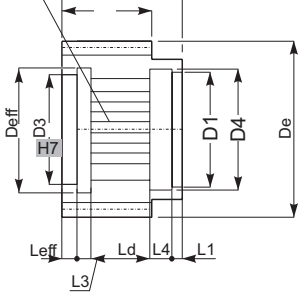
EXB



16004 1075

ID

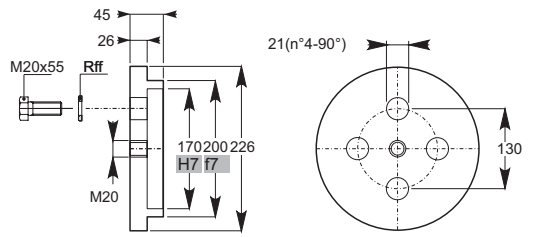
N 200x5x30x38 9H
DIN5480



| ID | m | Z | X | De |
|----|---|---|---|----|
| | | | | |
| | | | | |
| | | | | |
| | | | | |
| | | | | |
| | | | | |
| | | | | |
| | | | | |
| | | | | |
| | | | | |
| | | | | |

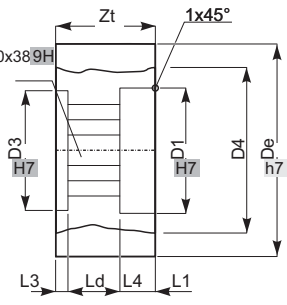
On request

FF

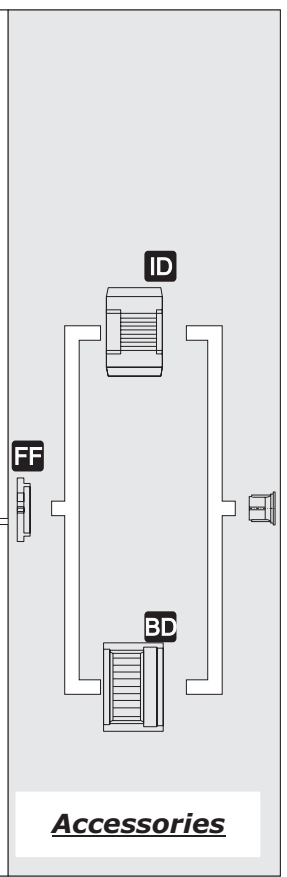


BD

N200x5x30x38 9H
DIN5480

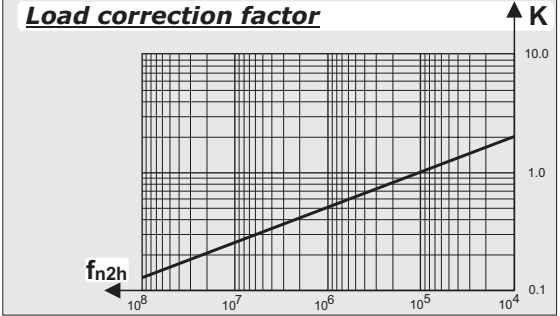
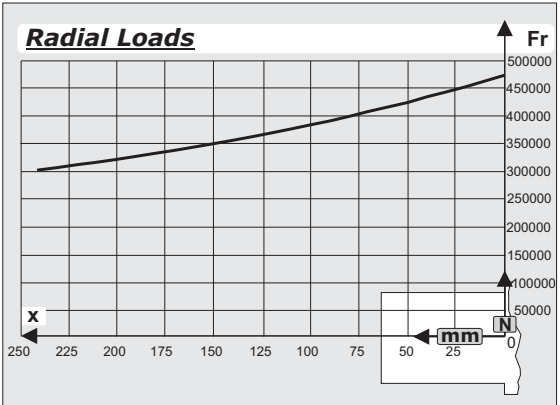
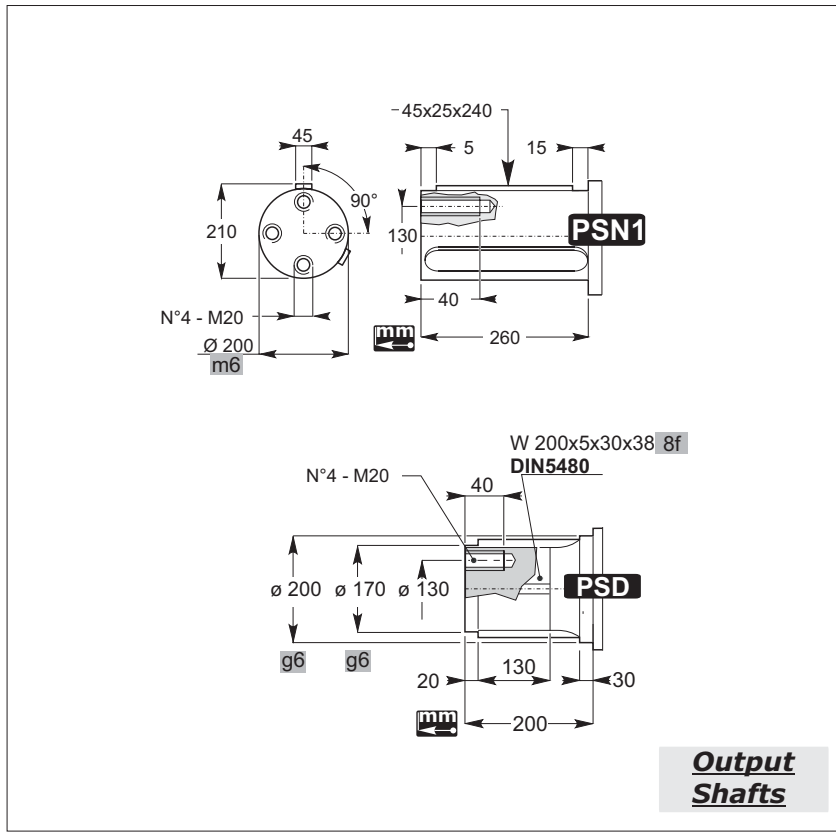
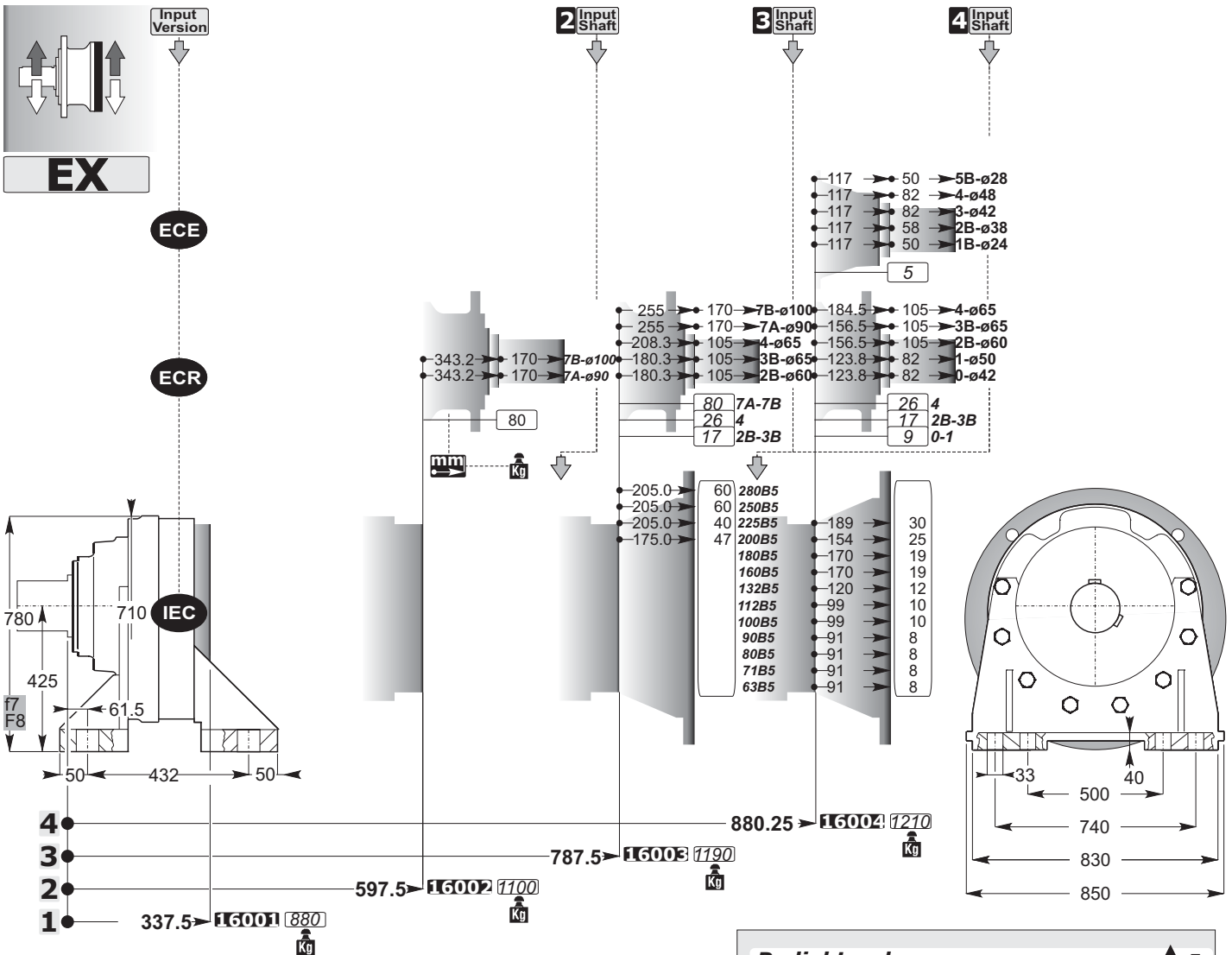


On request



Accessories

mm
C



ECE

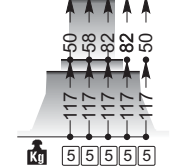
Input Version

ECR

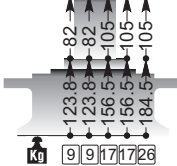
IEC

4 Input Shaft

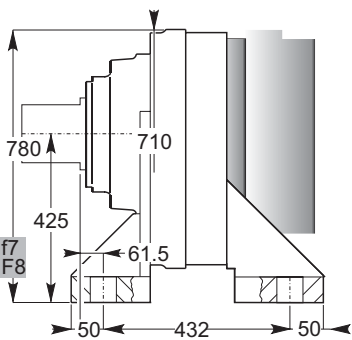
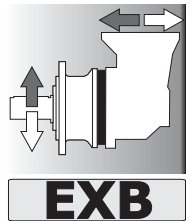
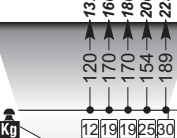
ECE 1 2 3 4 5 B



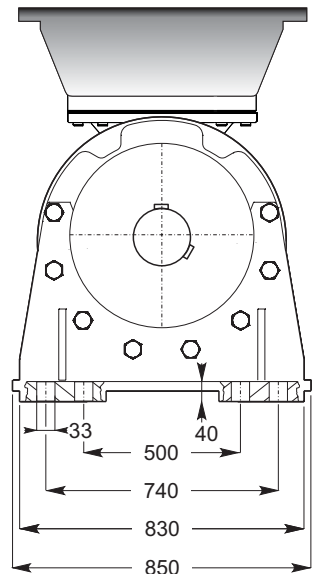
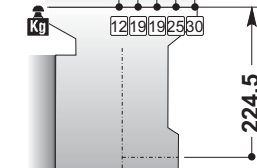
ECR 0 1 2 3 4 B



IEC 132B5 160B5 170 180B5 200B5 225B5

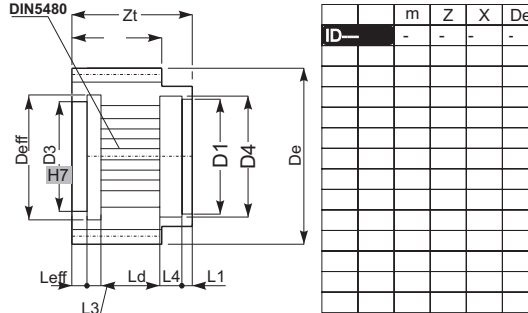


4



ID

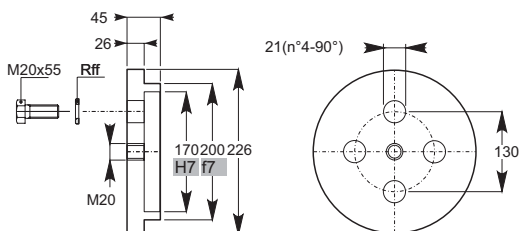
N 200x5x30x38 9H
DIN5480



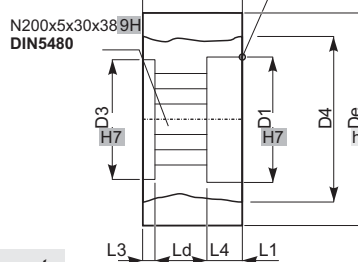
| ID | m | Z | X | De |
|----|---|---|---|----|
| | | | | |
| | | | | |
| | | | | |
| | | | | |
| | | | | |
| | | | | |
| | | | | |
| | | | | |
| | | | | |
| | | | | |
| | | | | |
| | | | | |
| | | | | |
| | | | | |
| | | | | |
| | | | | |
| | | | | |
| | | | | |
| | | | | |
| | | | | |
| | | | | |

On request

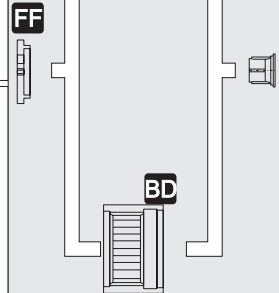
FF



BD

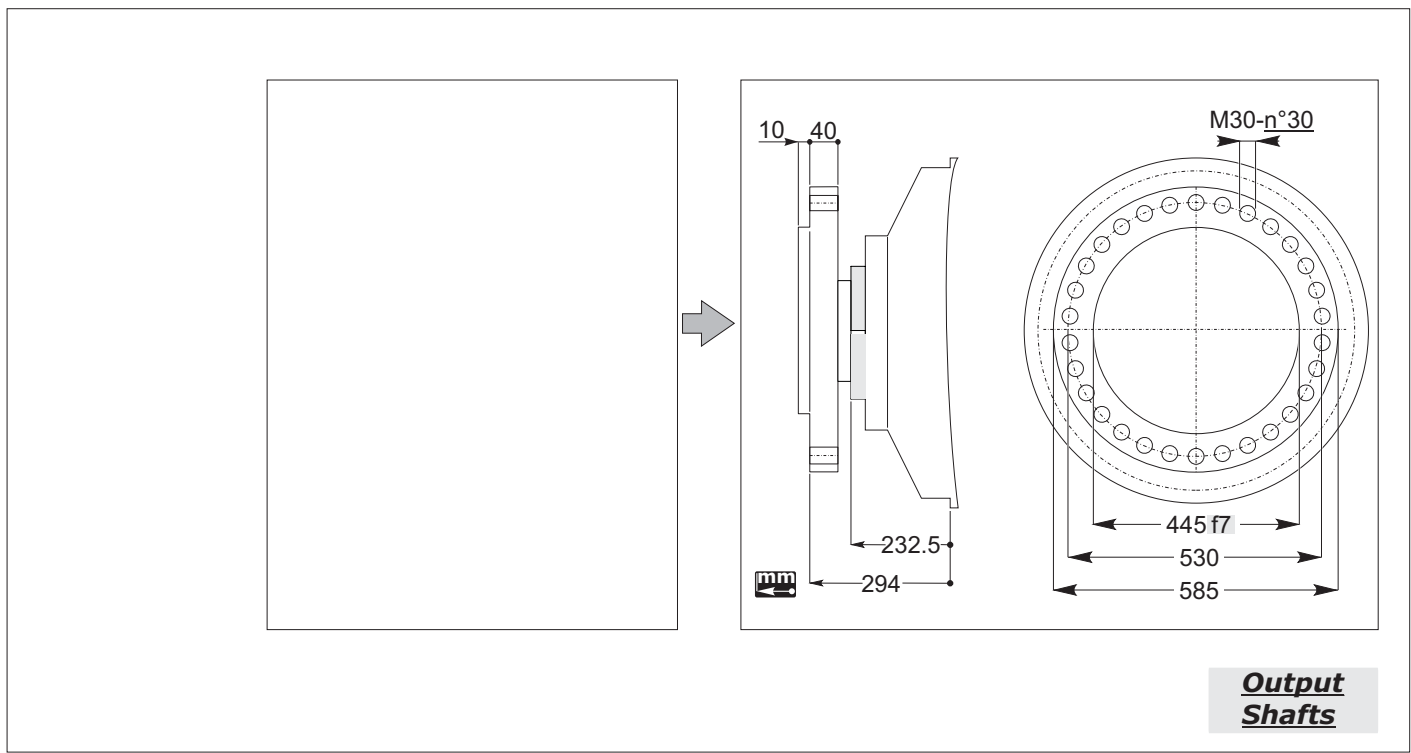
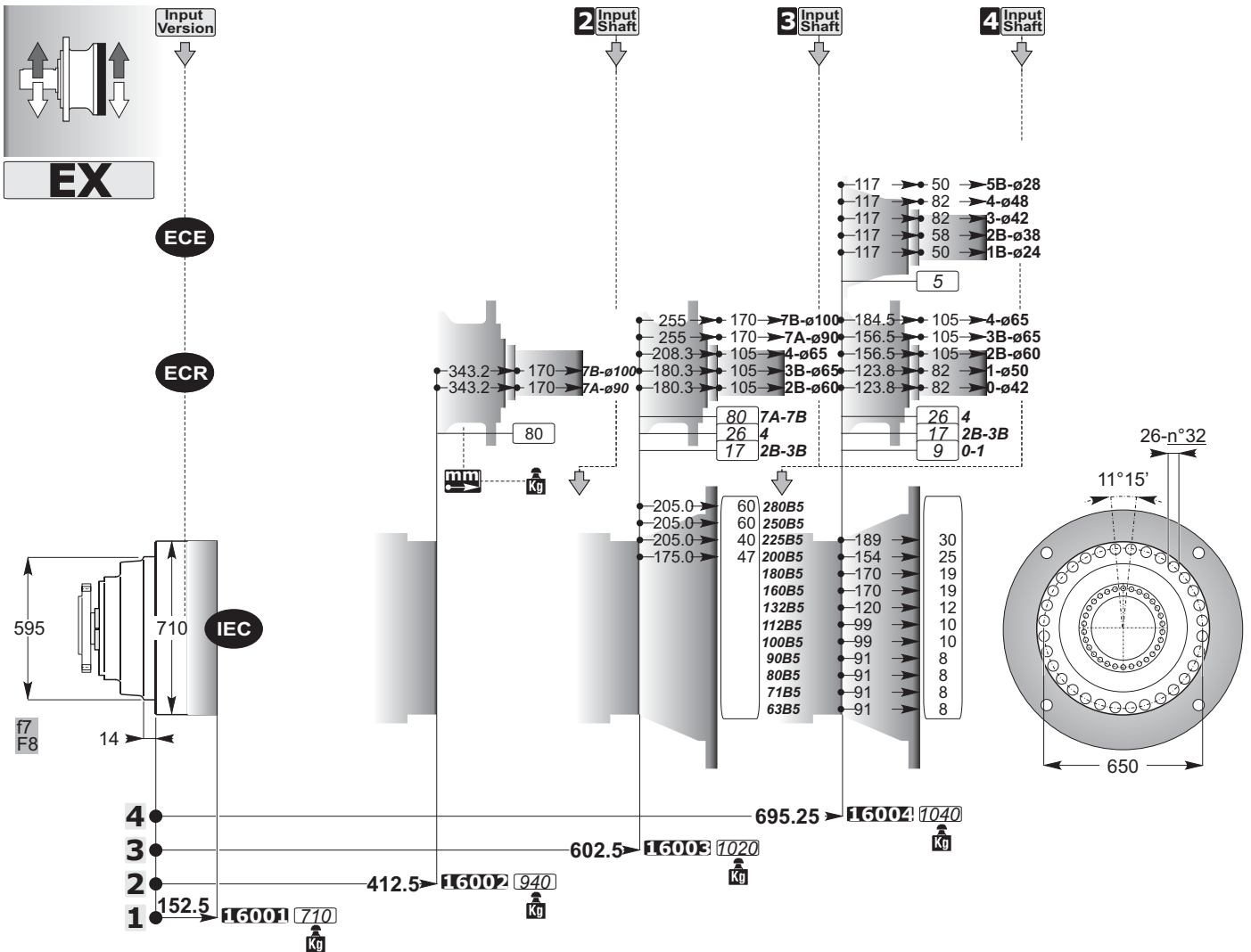


On request



Accessories

mm
C



ECE

4 Input Shaft → **ECE 1 2 3 4 5 B**

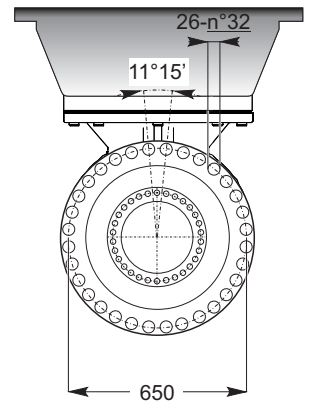
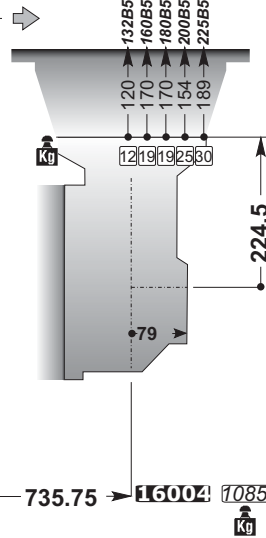
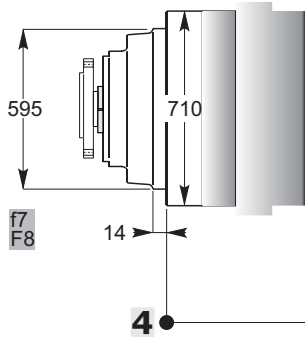
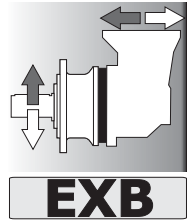
Input Version

ECR

→ **ECR 0 1 2 3 4 B**

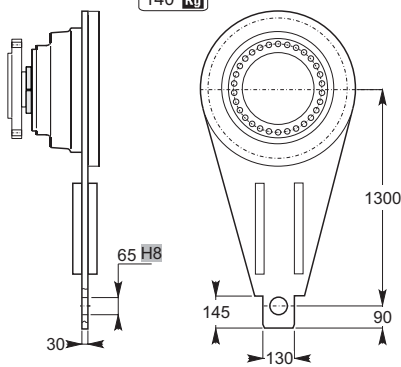
IEC

→



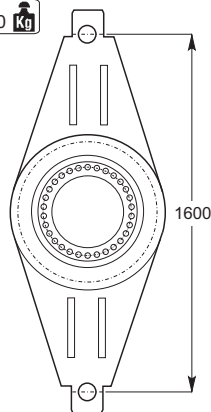
BRS

140 Kg

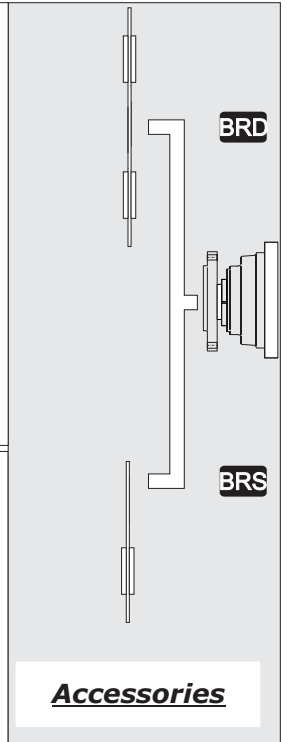


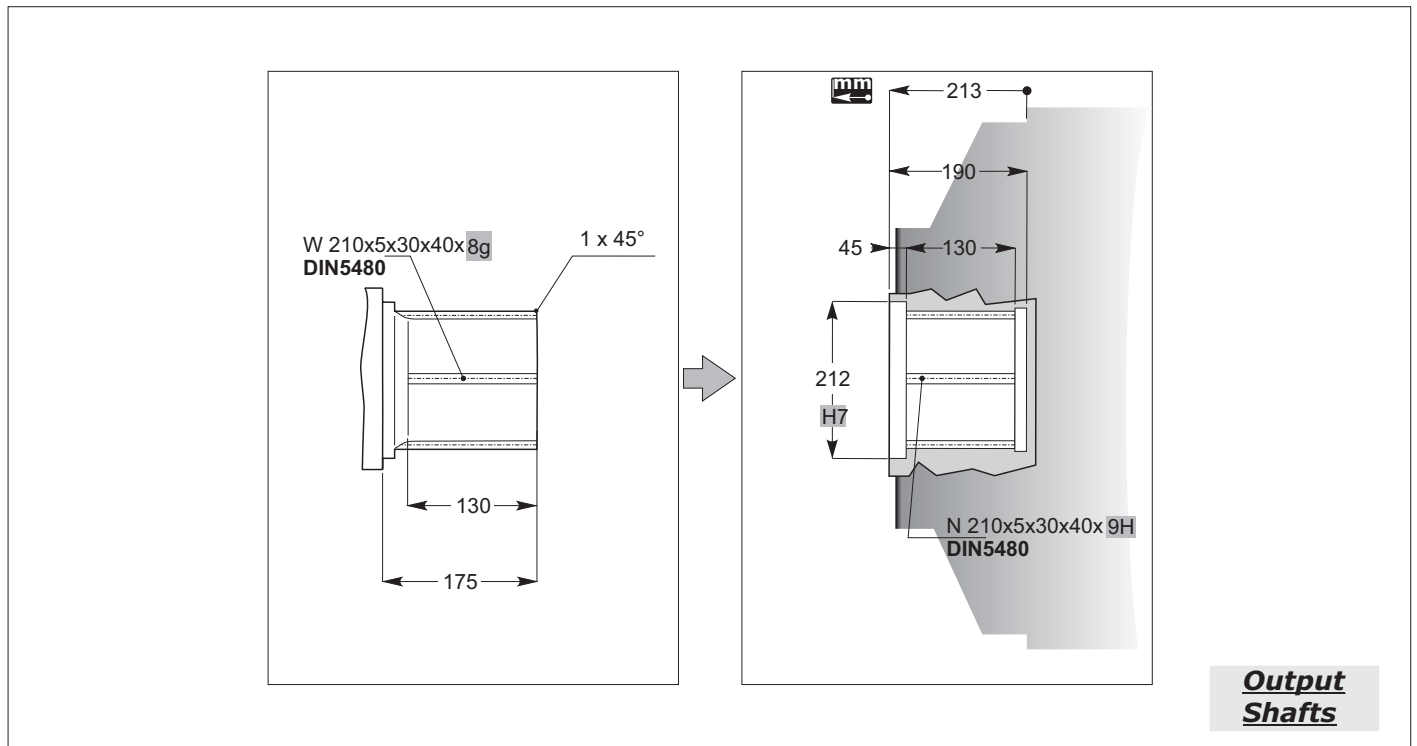
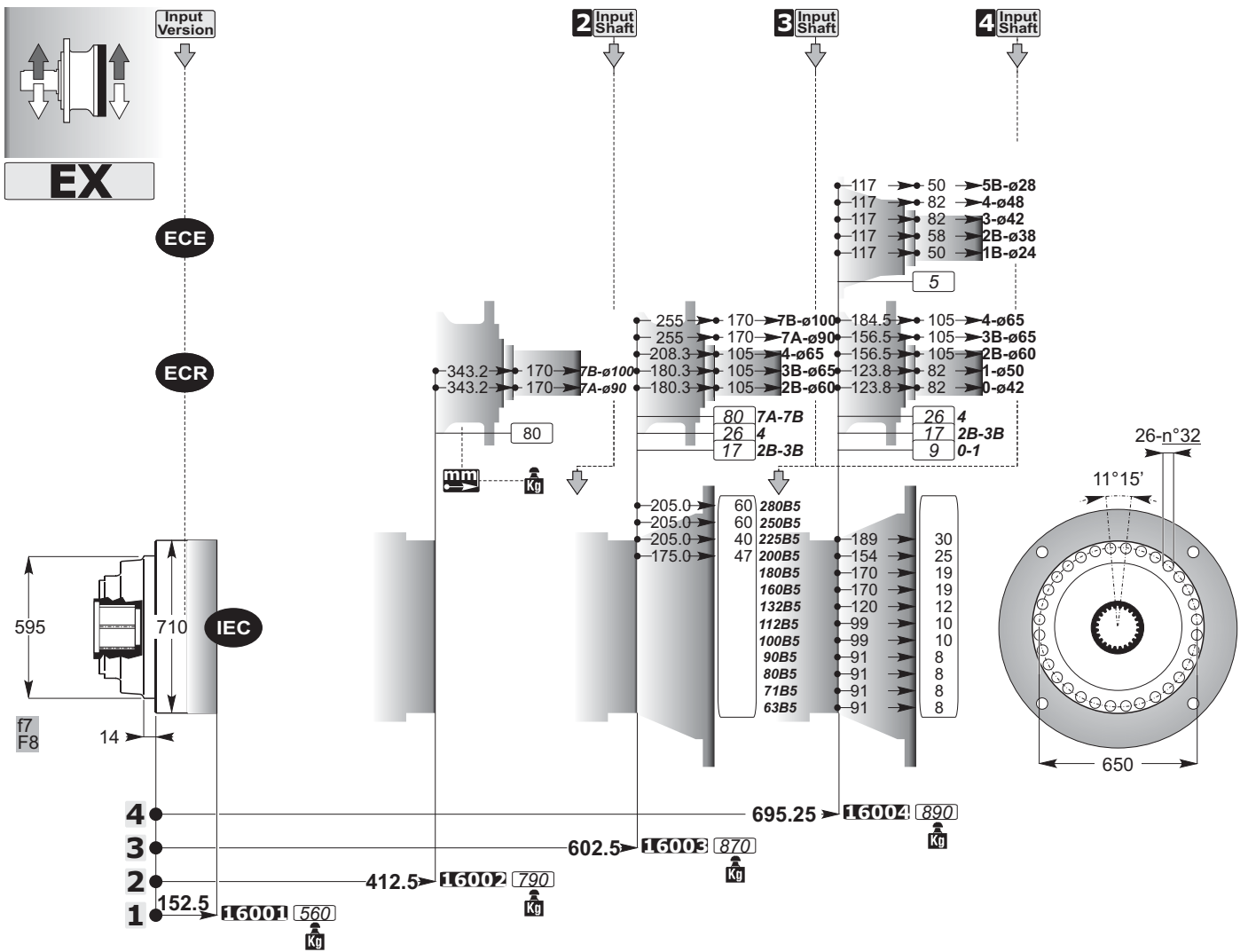
BRD

120 Kg



mm
C





ECE

4 Input Shaft → **ECE 1 2 3 4 5 B**

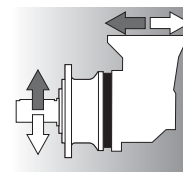
Input Version

ECR

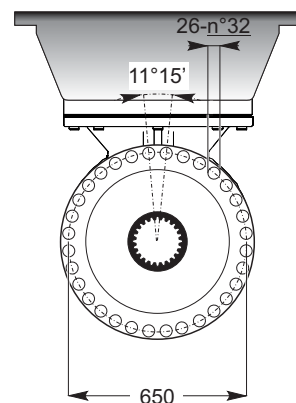
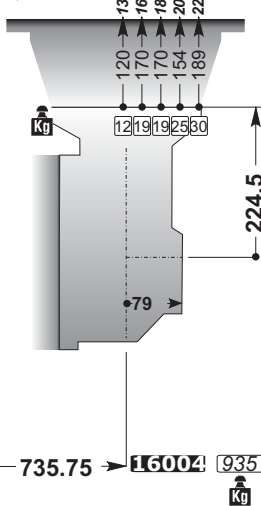
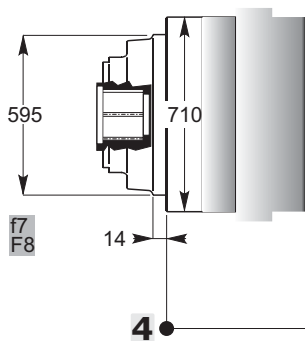
→ **ECR 0 1 2 3 4 B**

IEC

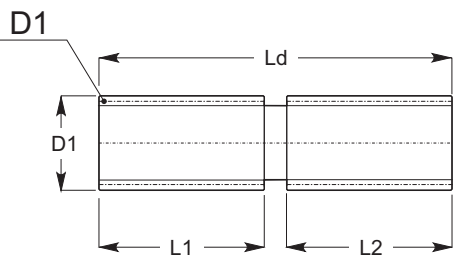
→



EXB



SD



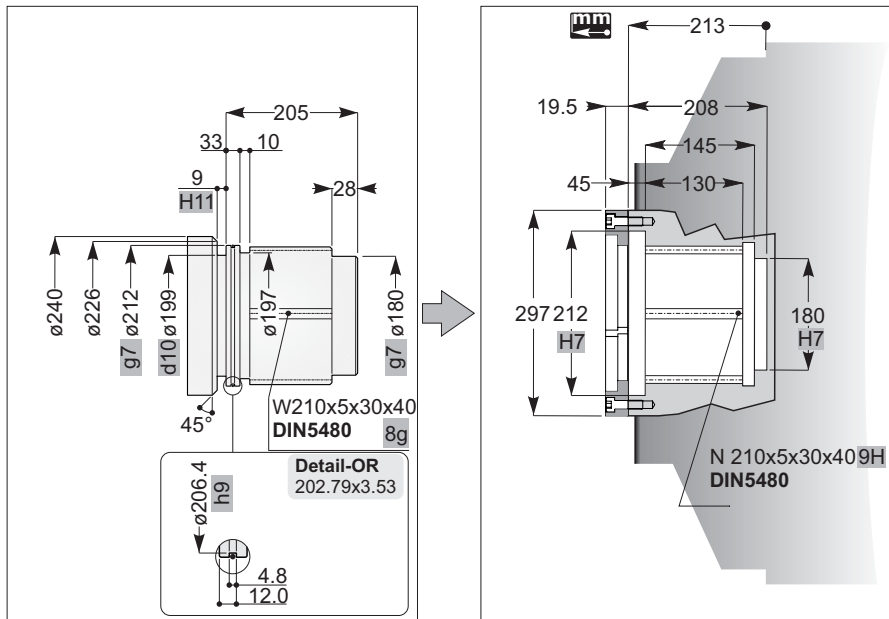
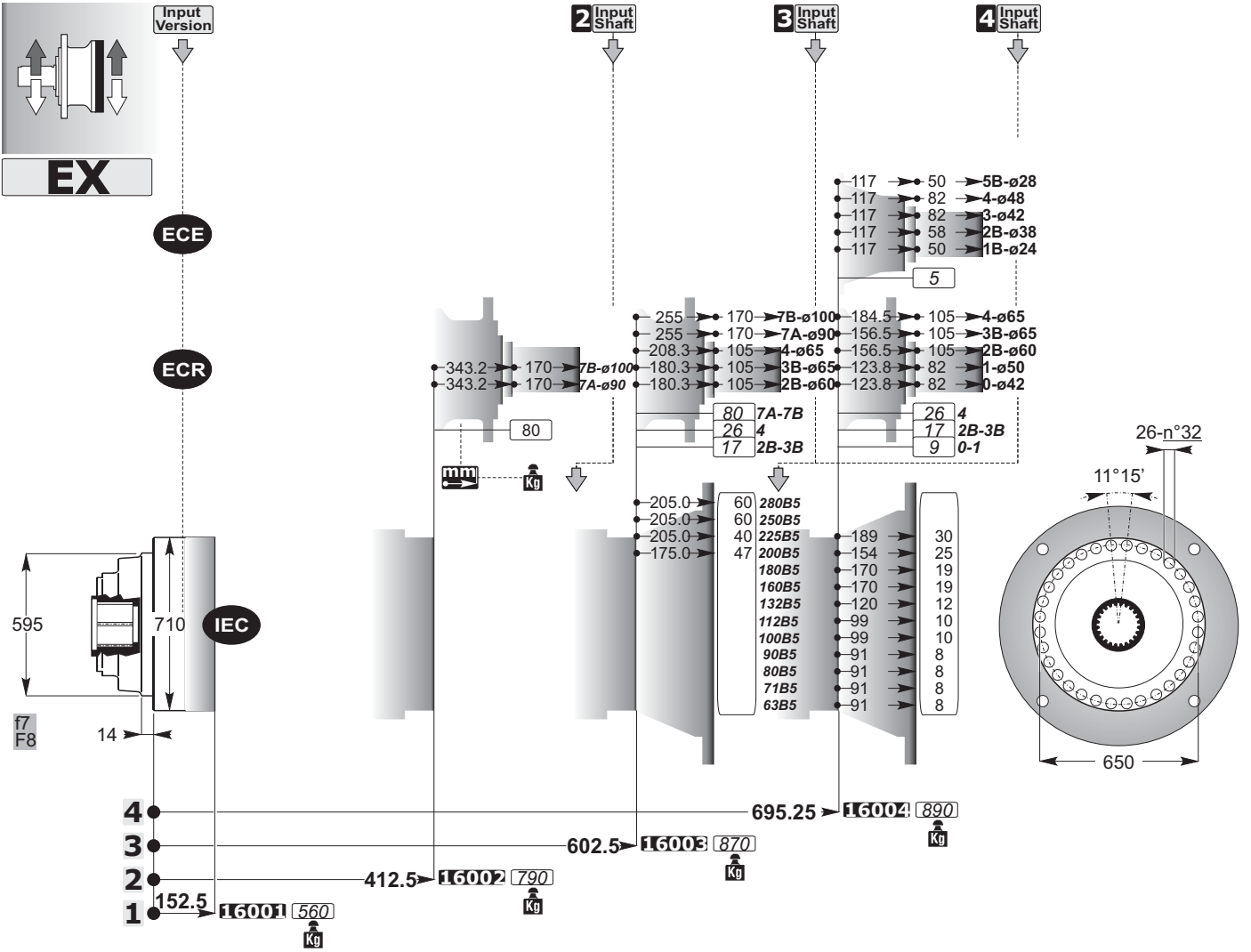
On request

SD



Accessories

mm
C



Output Shafts

ECE

4 Input Shaft → ECE 1 2 3 4 5 B

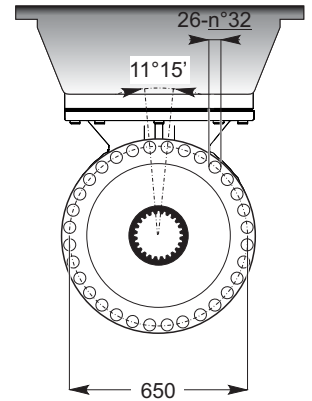
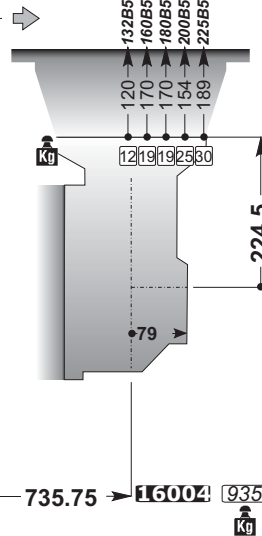
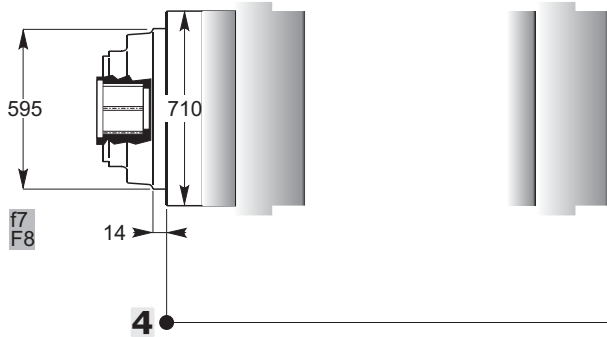
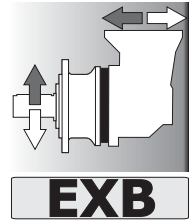
Input Version

ECR

→ ECR 0 1 2 3 4 B

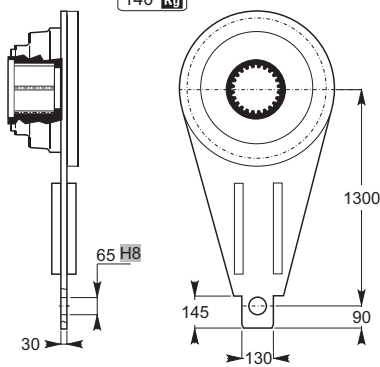
IEC

→



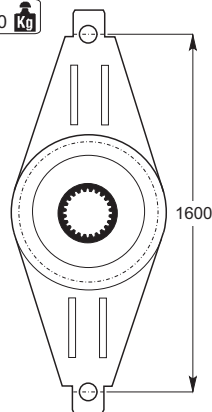
BRS

140 Kg



BRD

120 Kg



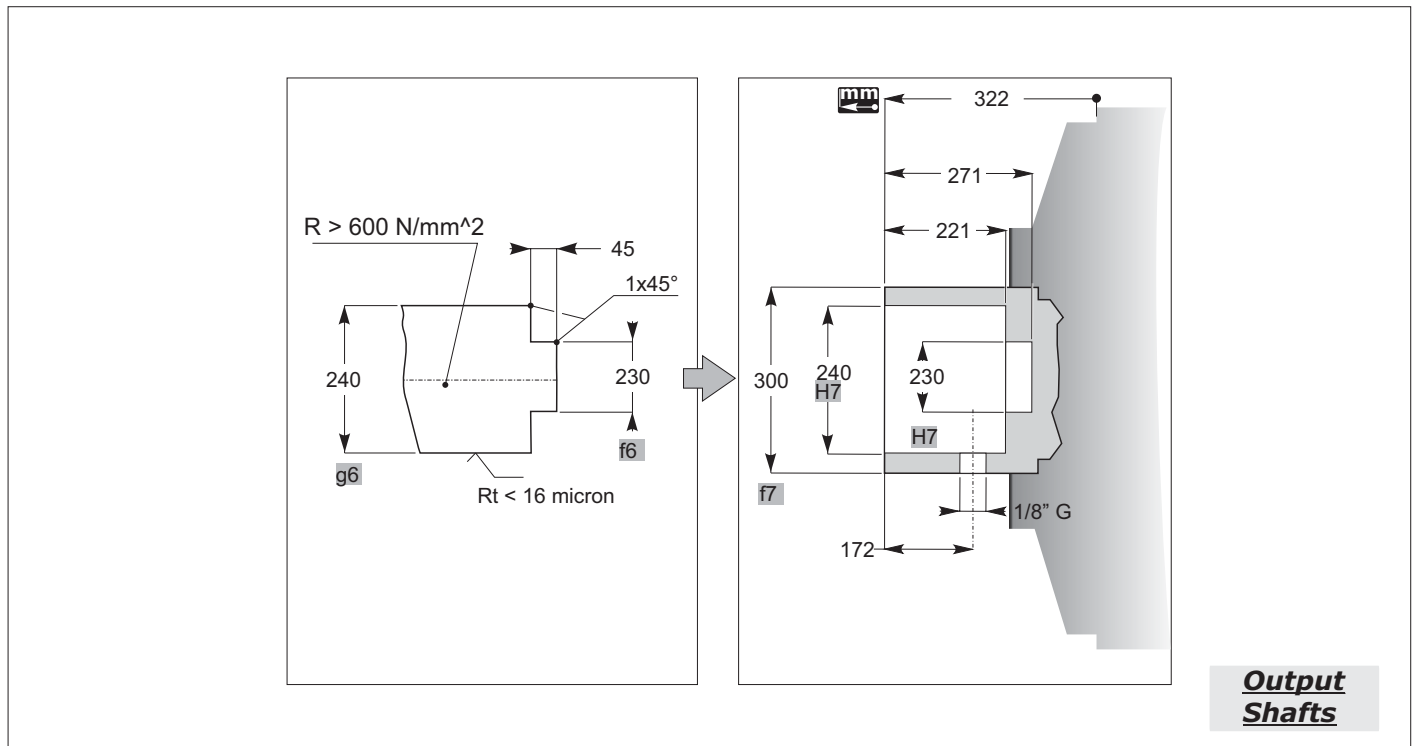
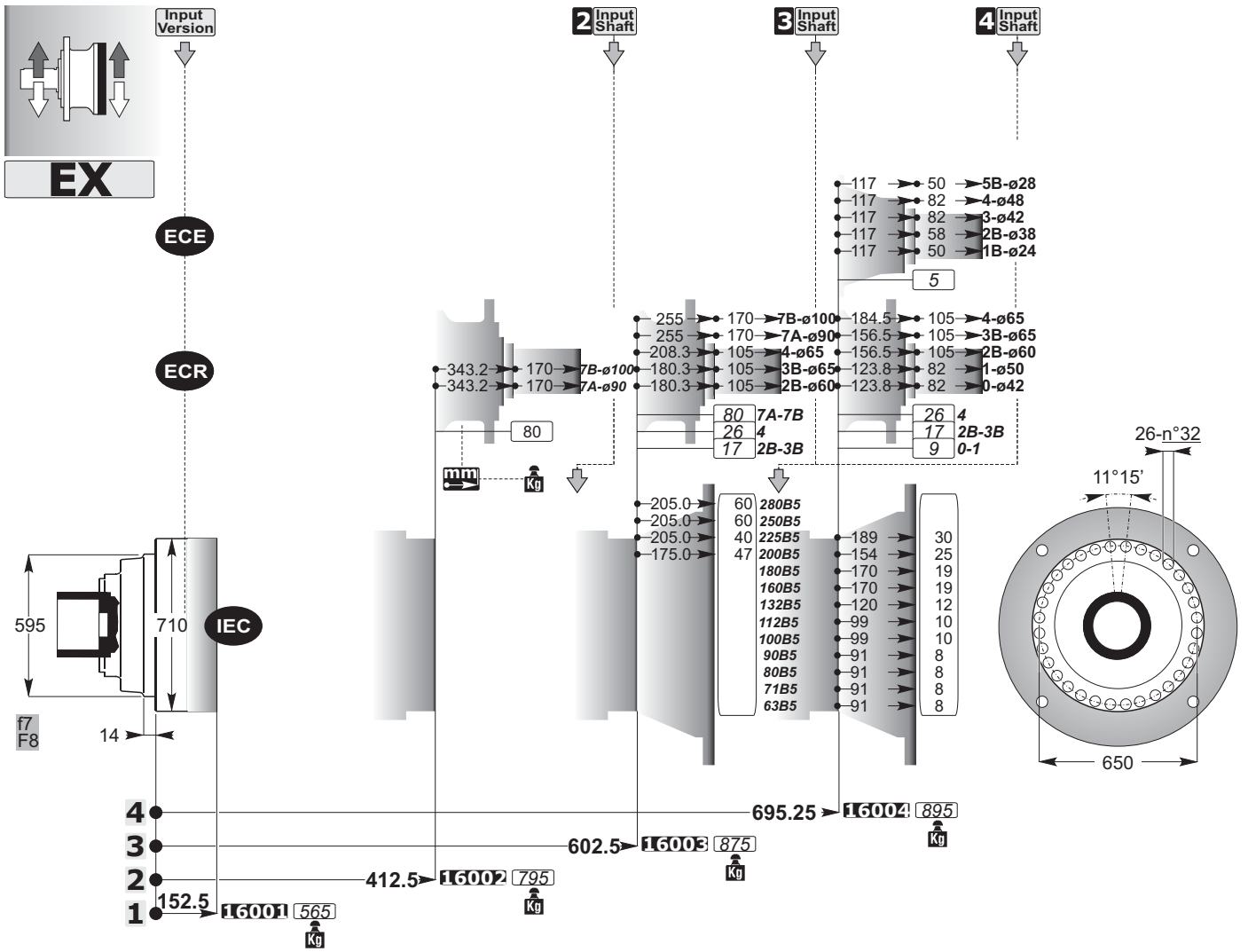
mm

C

BRD

BRS

Accessories



ECE

4 Input Shaft → ECE 1 2 3 4 5 B

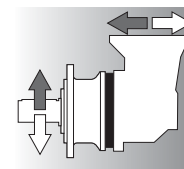
Input Version

ECR

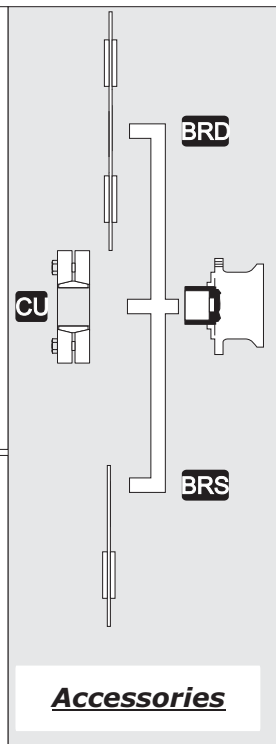
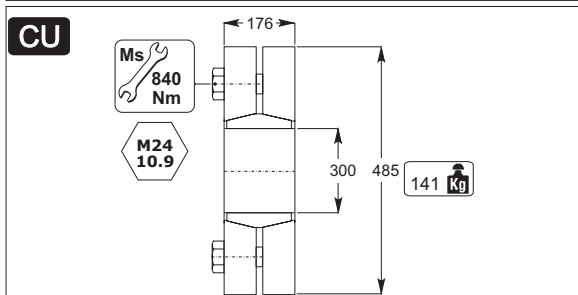
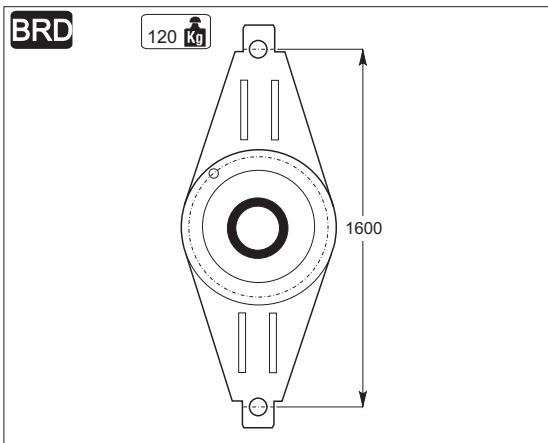
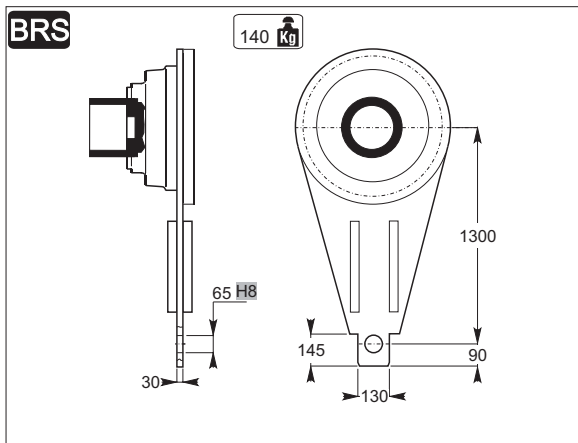
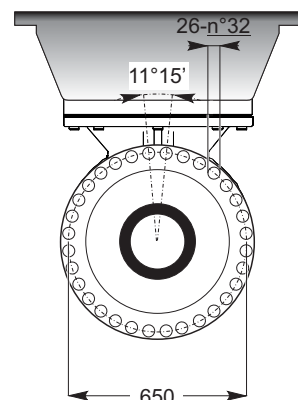
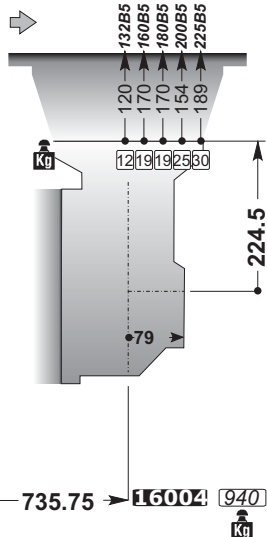
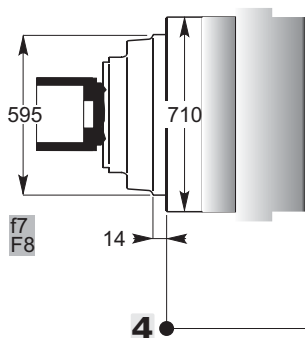
→ ECR 0 1 2 3 4 B

IEC

→



EXB



mm
C