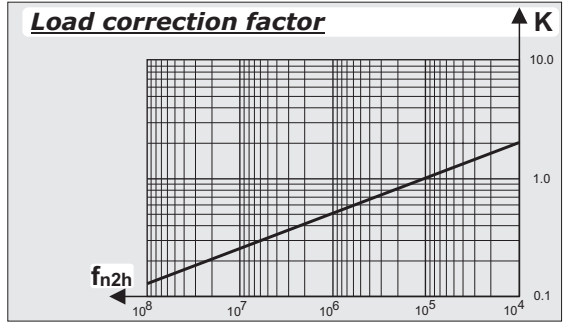
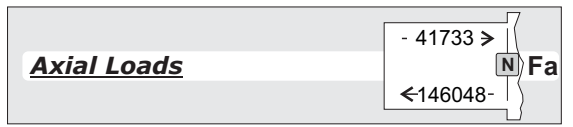
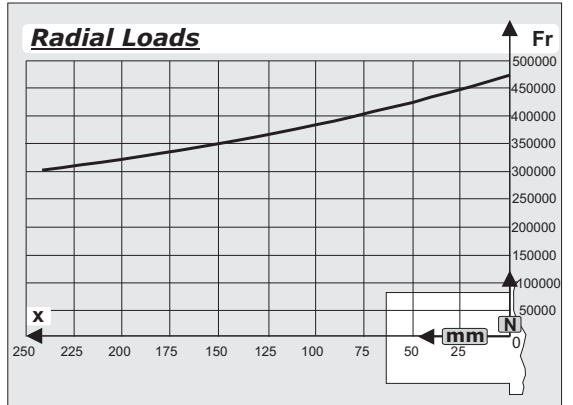
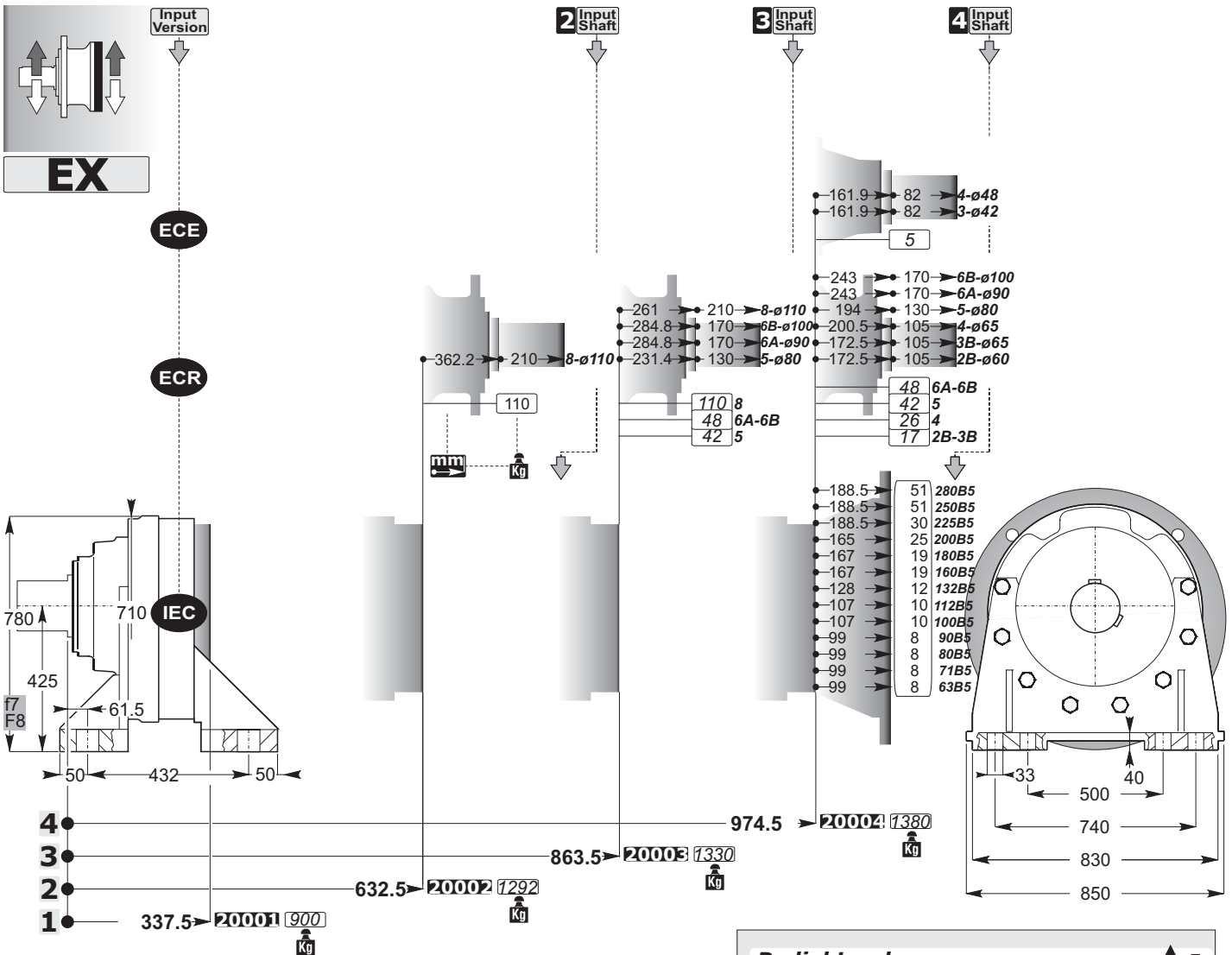


mm

**C**



ECE

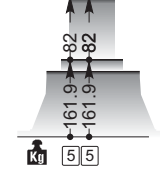
Input Version

ECR

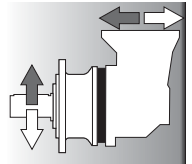
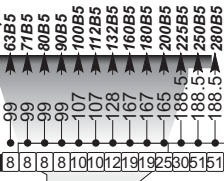
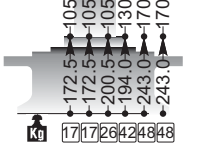
IEC

4 Input Shaft

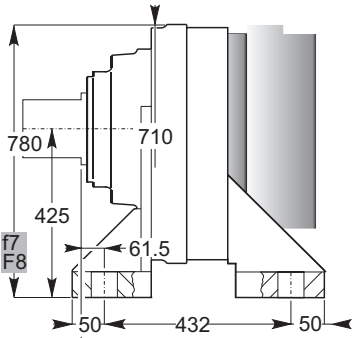
ECE 3 4



ECR 2 3 4 5 6 6 A



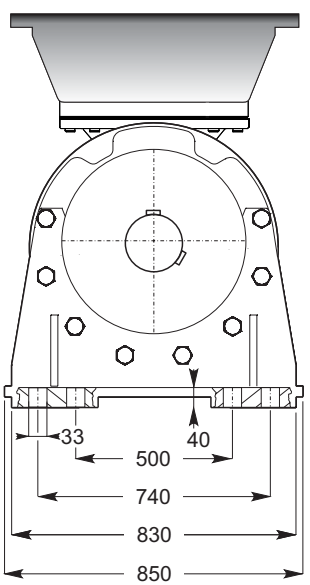
EXB



4

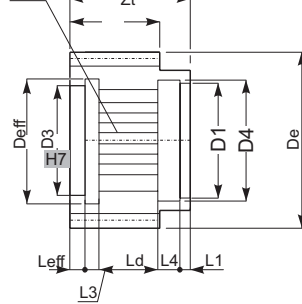
1031.75 2000 ± 1.440

Kg



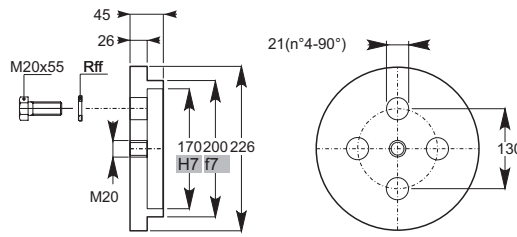
ID

N 200x5x30x38 9H DIN5480

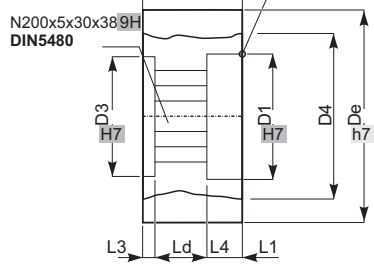


ID	m	Z	X	De

FF

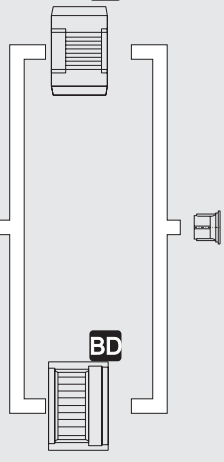


BD



FF

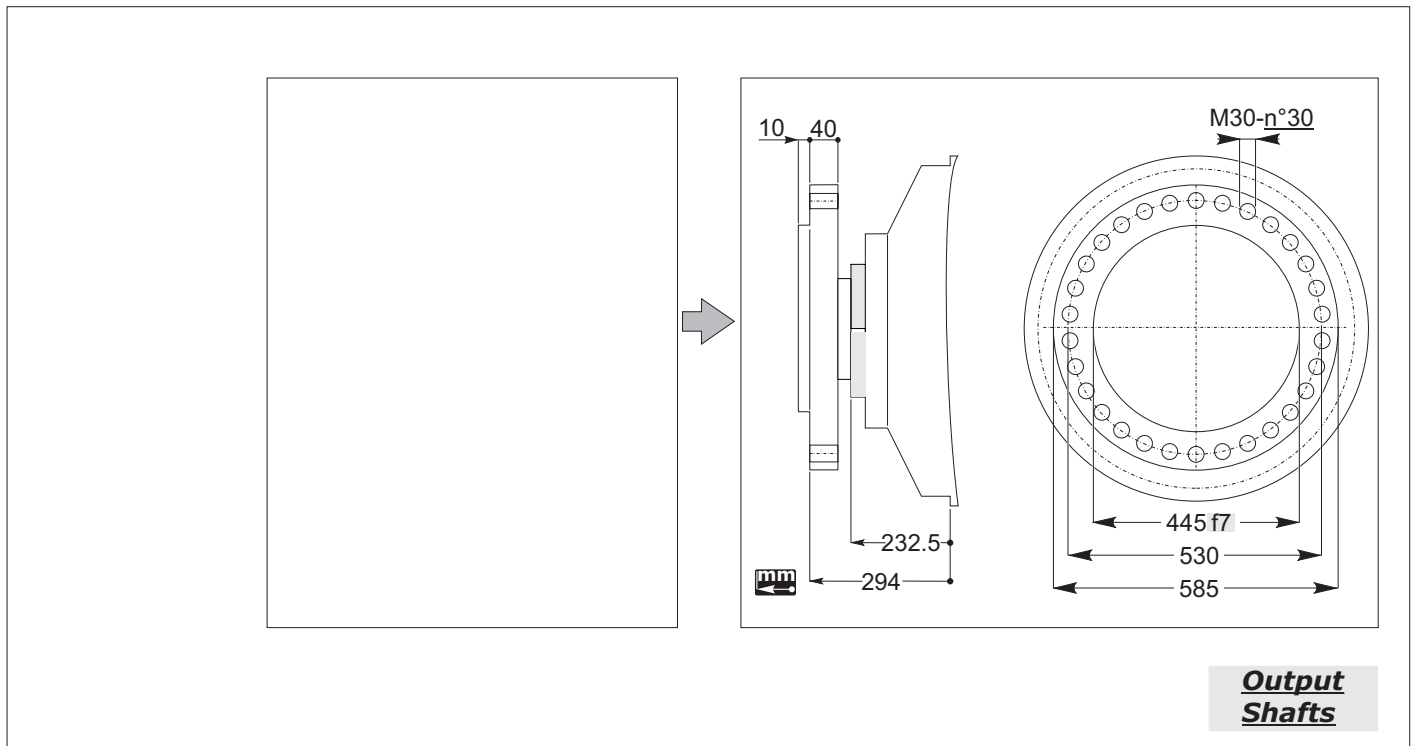
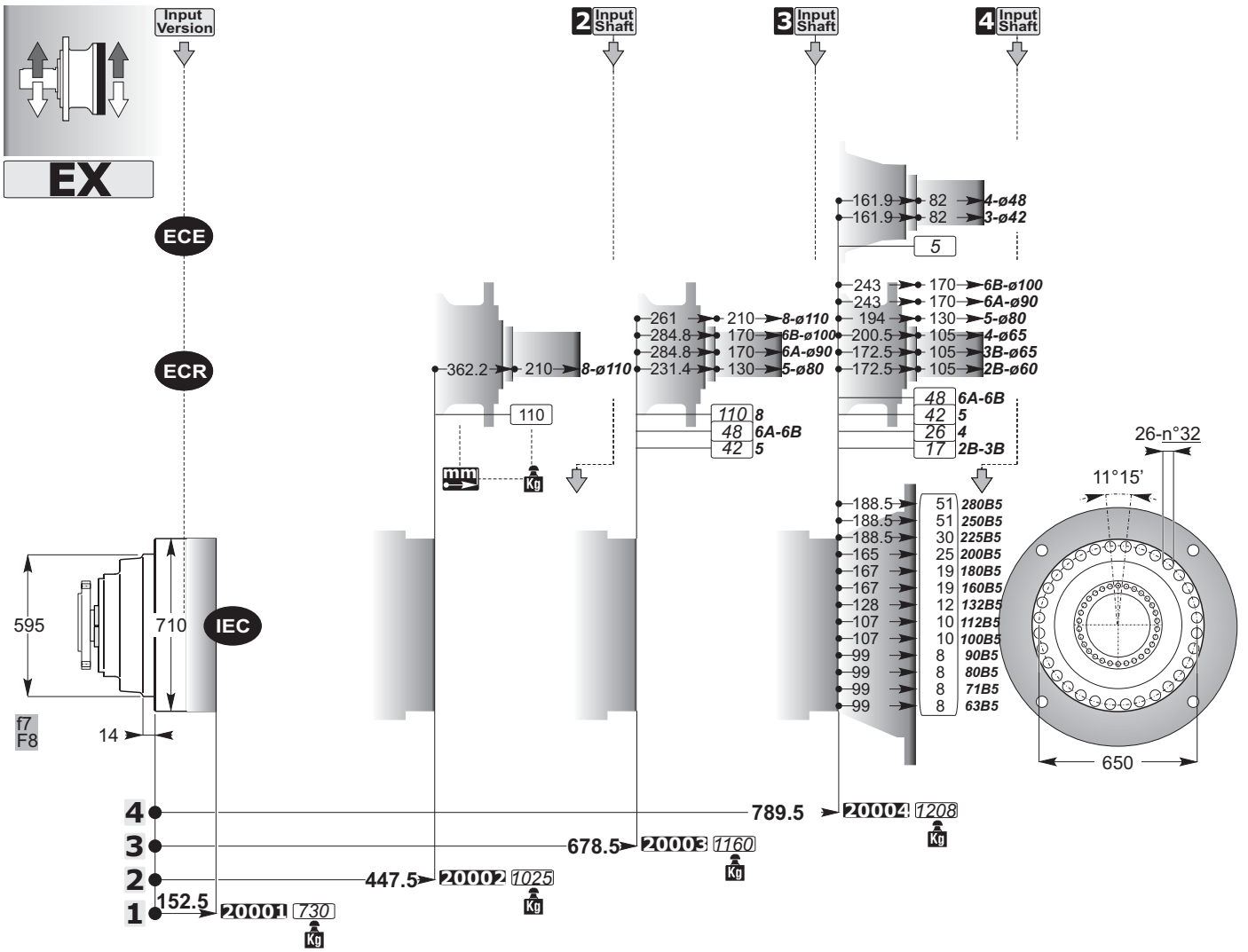
ID



BD

Accessories

mm  
C



**ECE**

4 Input Shaft →

ECE 3 4

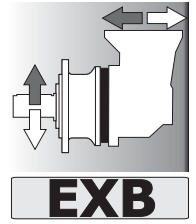
Input Version

**ECR**

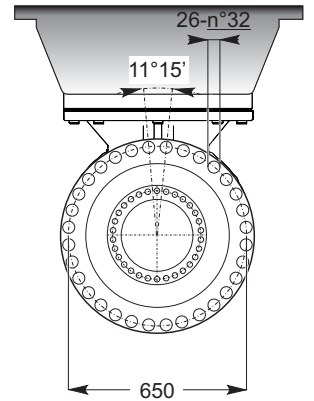
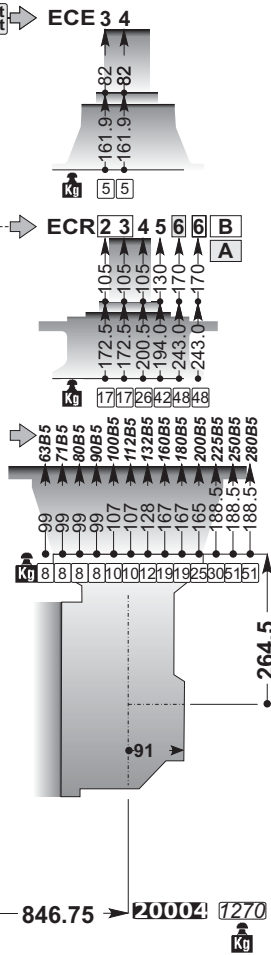
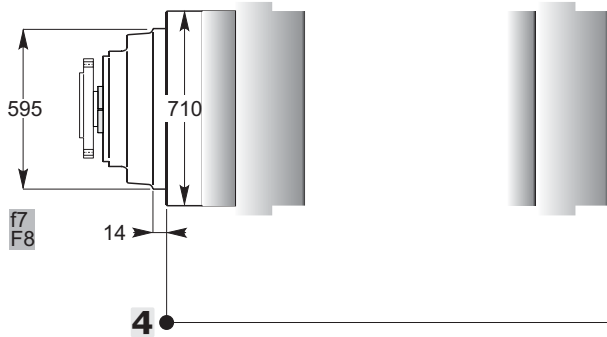
→ ECR 2 3 4 5 6 6 B A

**IEC**

→

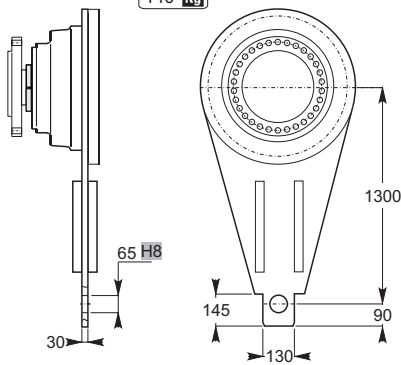


**EXB**



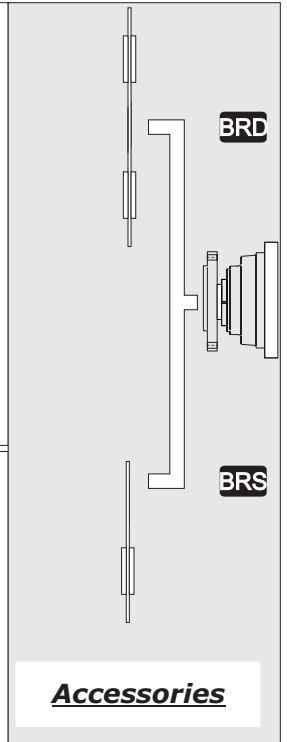
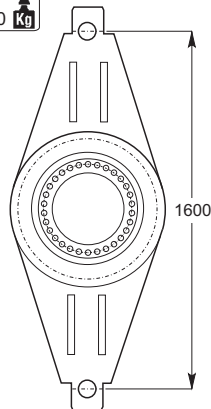
**BRS**

140 Kg



**BRD**

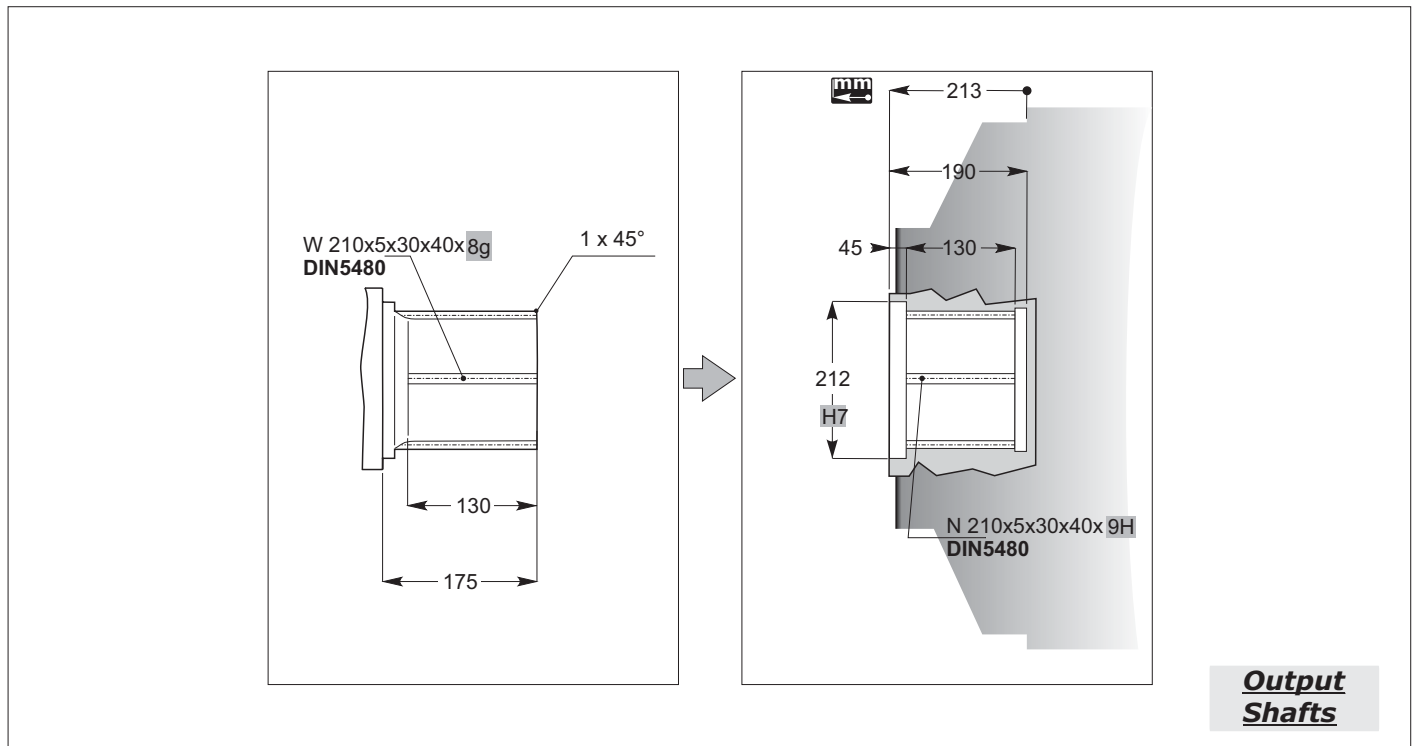
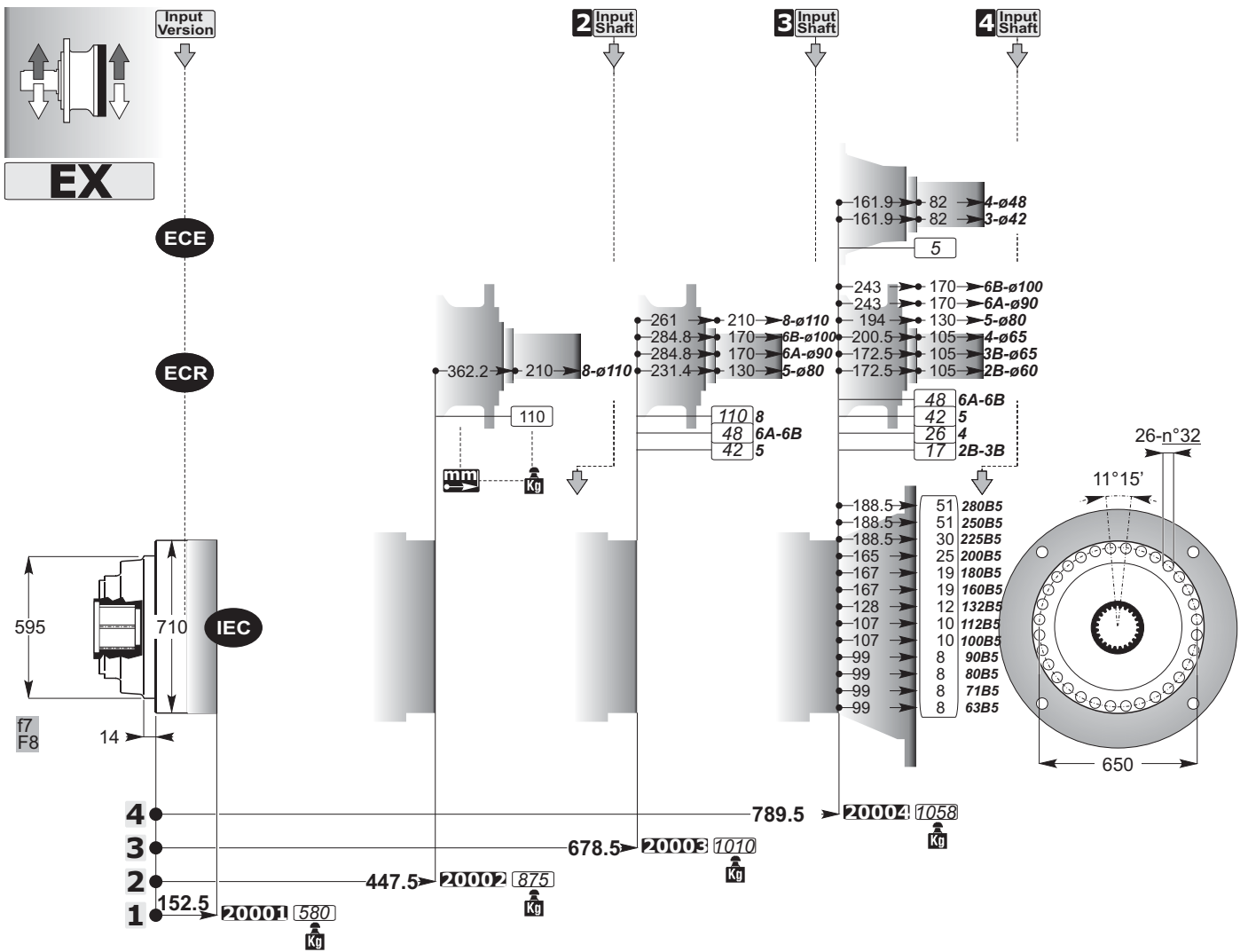
120 Kg



**Accessories**

mm

**C**



**ECE**

4 Input Shaft

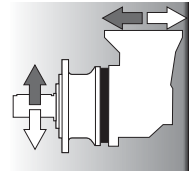
ECE 3 4

Input Version

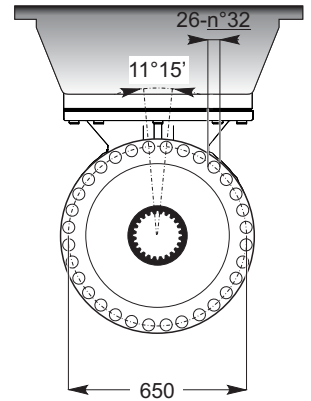
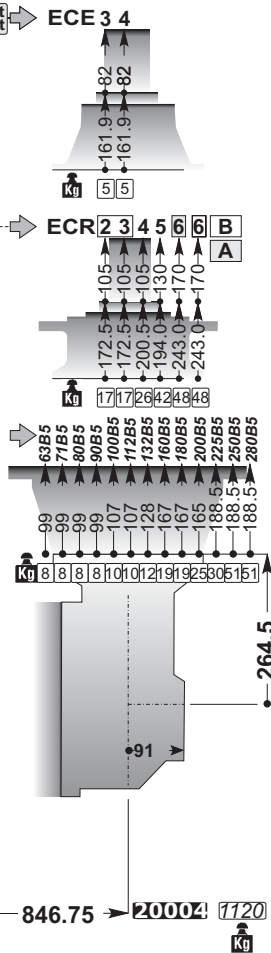
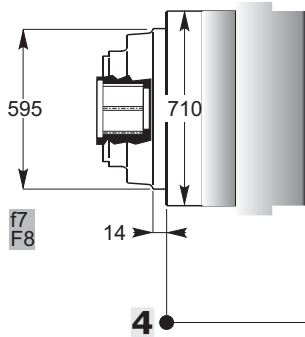
**ECR**

ECR 2 3 4 5 6 6 B A

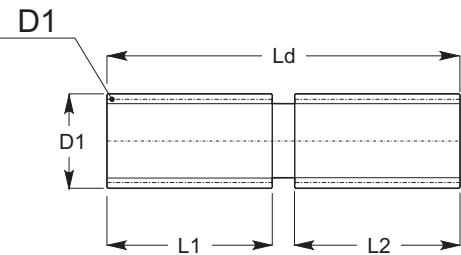
**IEC**



**EXB**



**SD**



On request

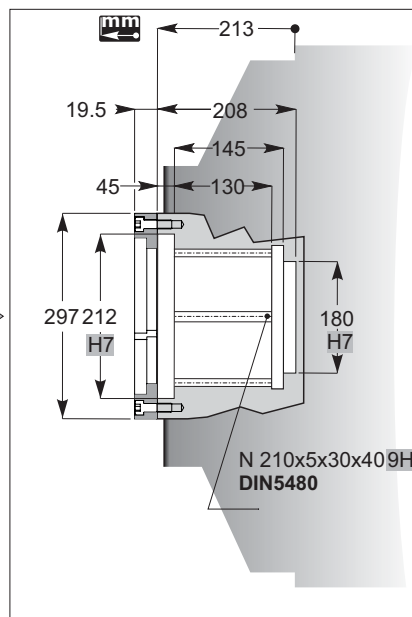
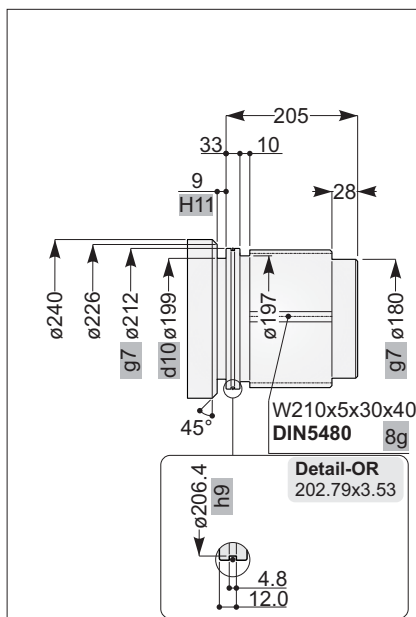
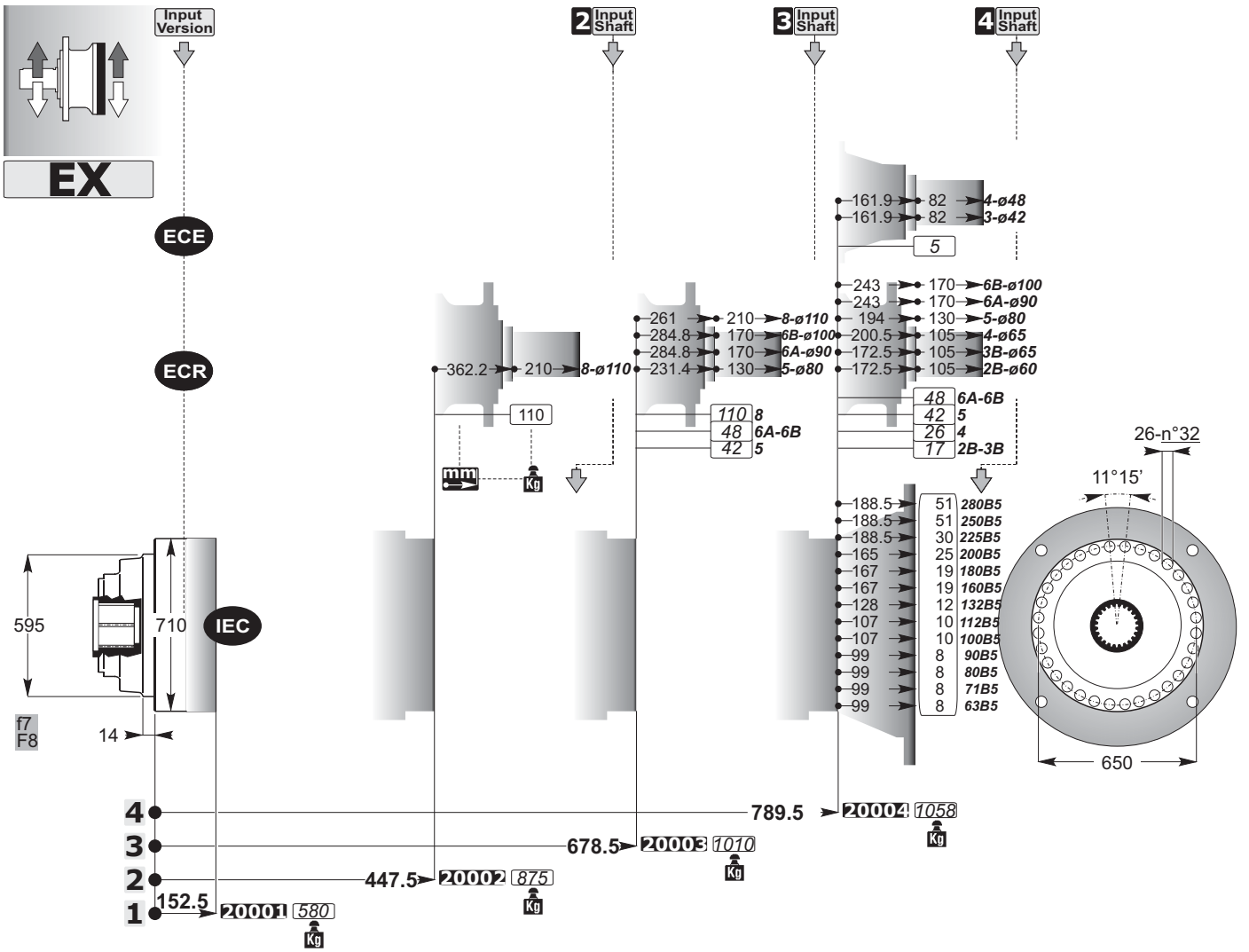
**SD**



**Accessories**

mm  
**C**



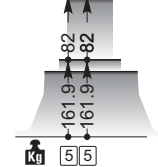


**Output Shafts**

**ECE**

4 Input Shaft →

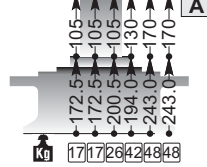
**ECE 3 4**



Input Version

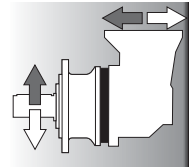
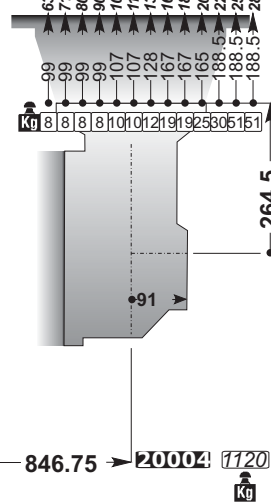
**ECR**

→ **ECR 2 3 4 5 6 6 B A**

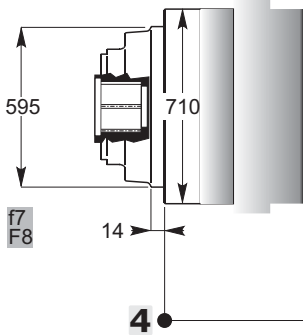
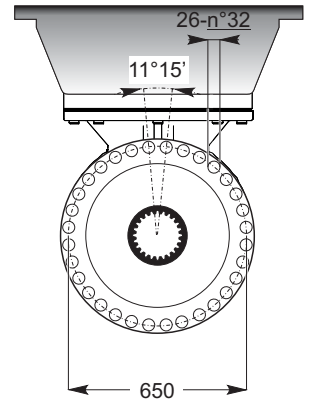


**IEC**

→

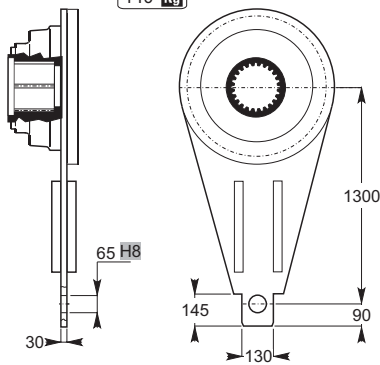


**EXB**



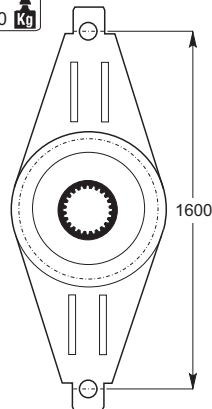
**BRS**

140 Kg



**BRD**

120 Kg



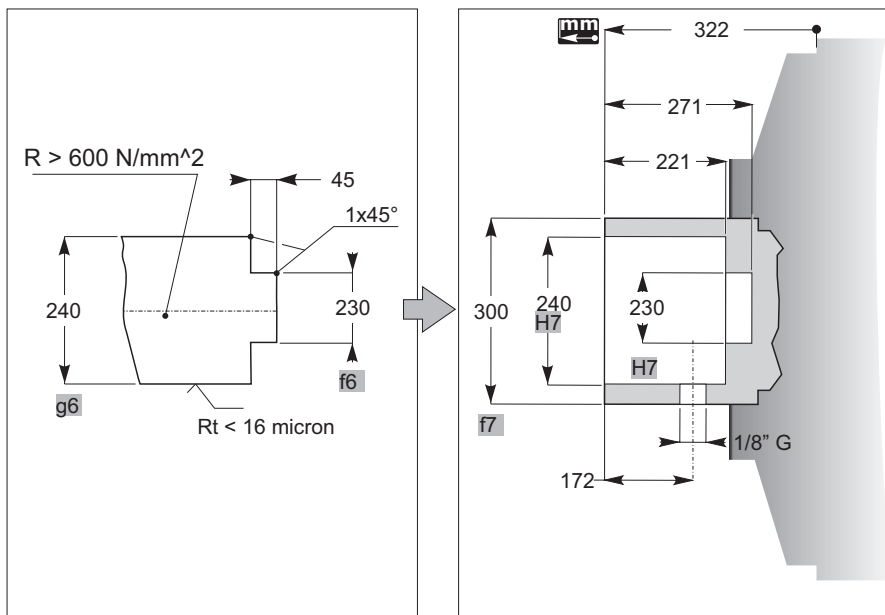
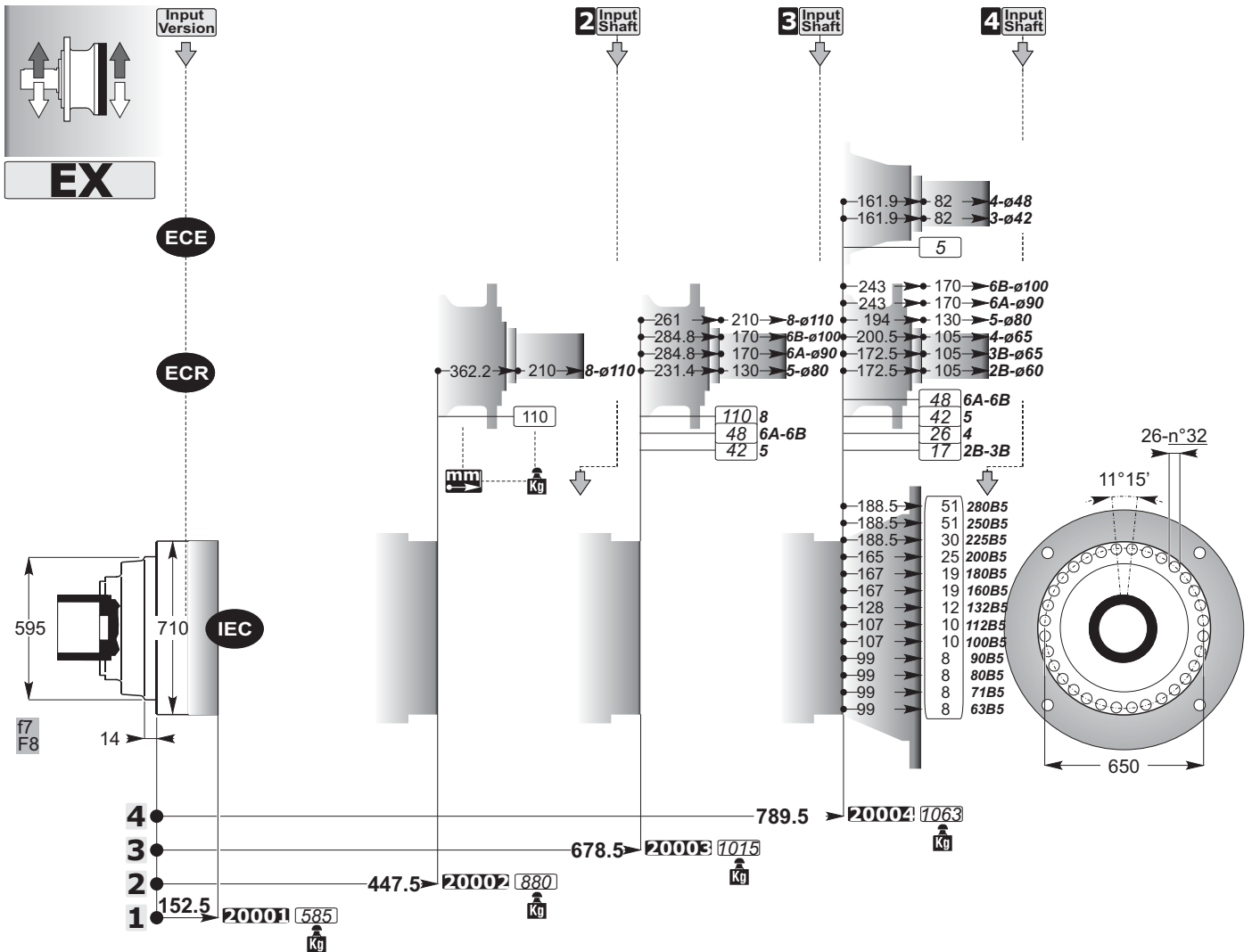
mm

**C**

**BRD**

**BRS**

**Accessories**

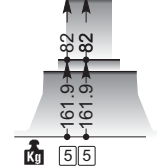


**Output Shafts**

**ECE**

4 Input Shaft →

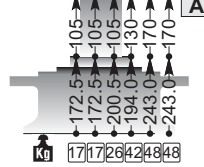
**ECE 3 4**



Input Version

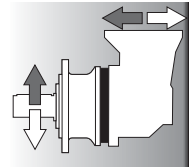
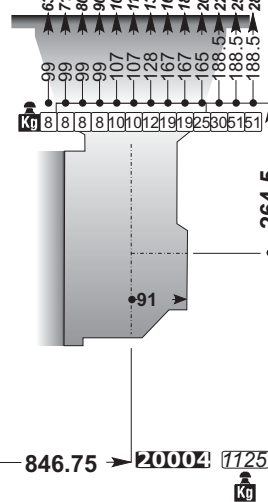
**ECR**

→ **ECR 2 3 4 5 6 6 B A**

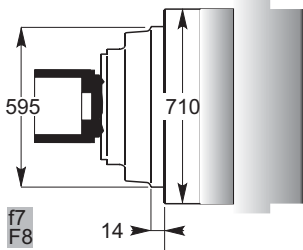
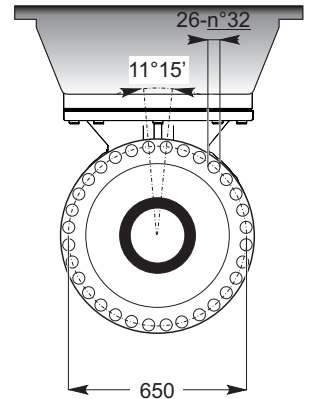


**IEC**

→



**EXB**



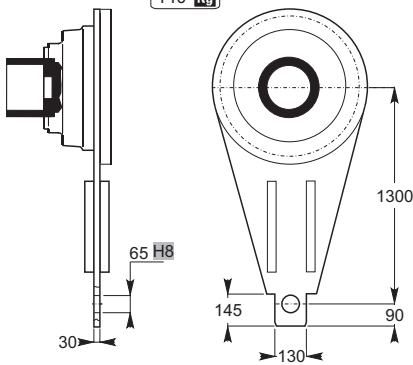
4 ●

846.75 → 20004 1125

Kg

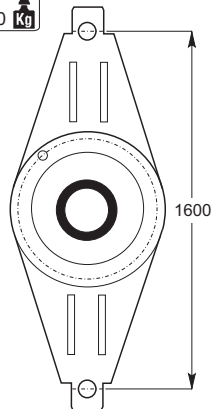
**BRS**

140 Kg



**BRD**

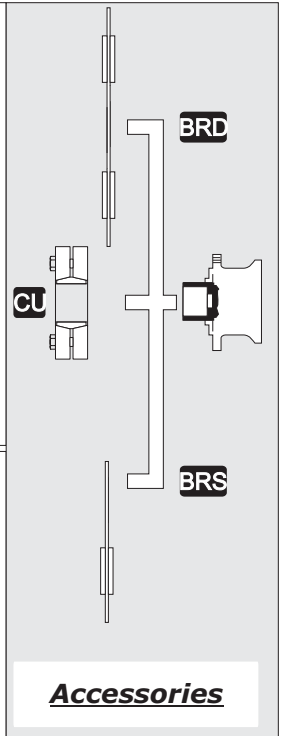
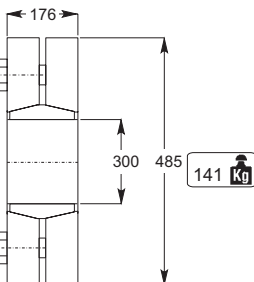
120 Kg



**CU**

Ms 840 Nm

M24 10.9



**Accessories**

mm  
**C**