

**ECE**

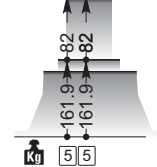
Input Version

**ECR**

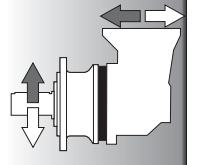
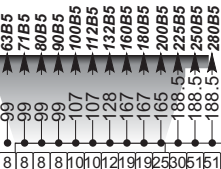
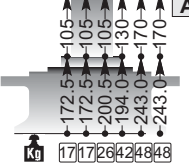
**IEC**

4 Input Shaft

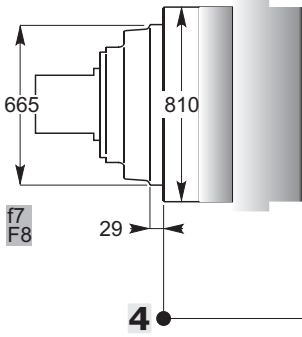
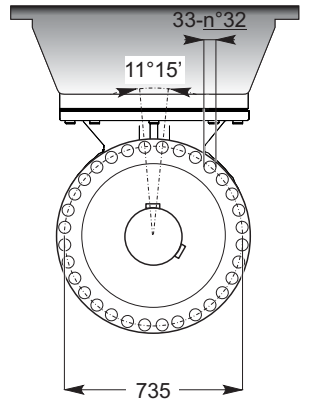
**ECE 3 4**



**ECR 2 3 4 5 6 6 B**



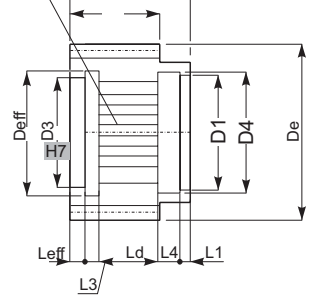
**EXB**



941.25 25004 7834  
941.25 26004 7834

**ID**

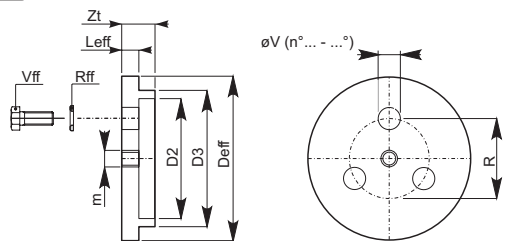
N 220x5x30x42 9H  
DIN5480



ID	m	Z	X	De

On request

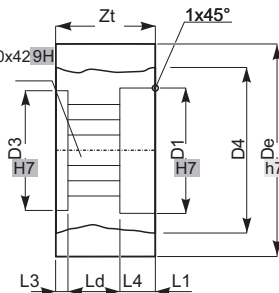
**FF**



On request

**BD**

N220x5x30x42 9H  
DIN5480



On request

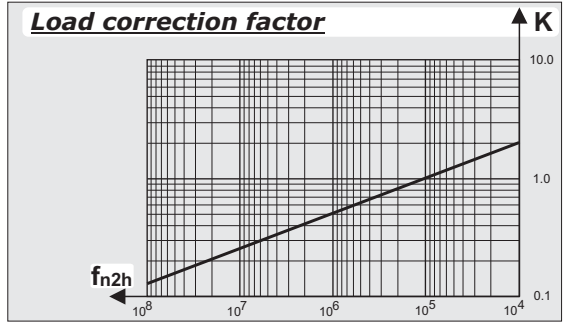
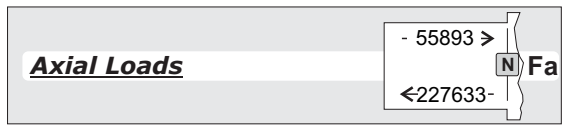
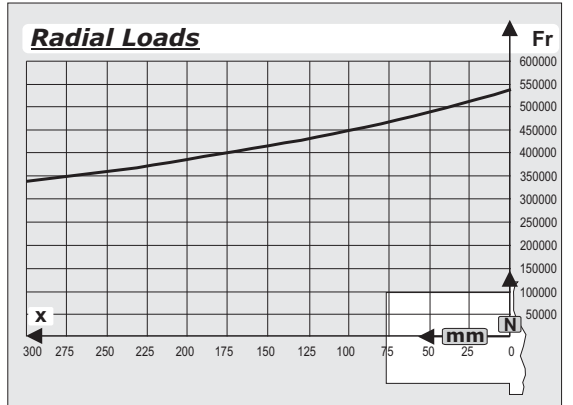
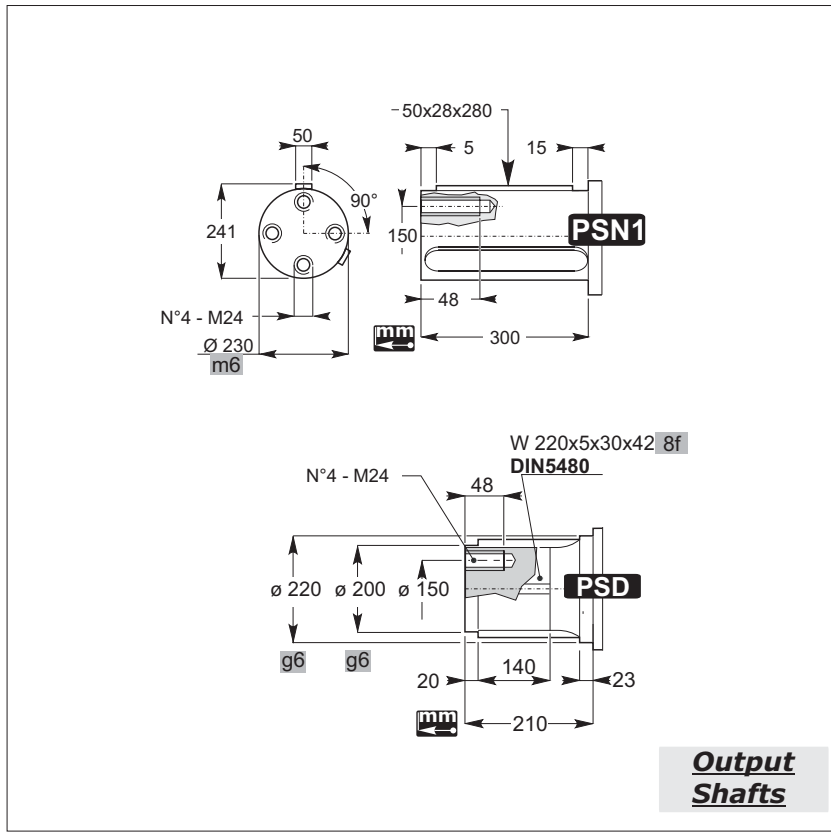
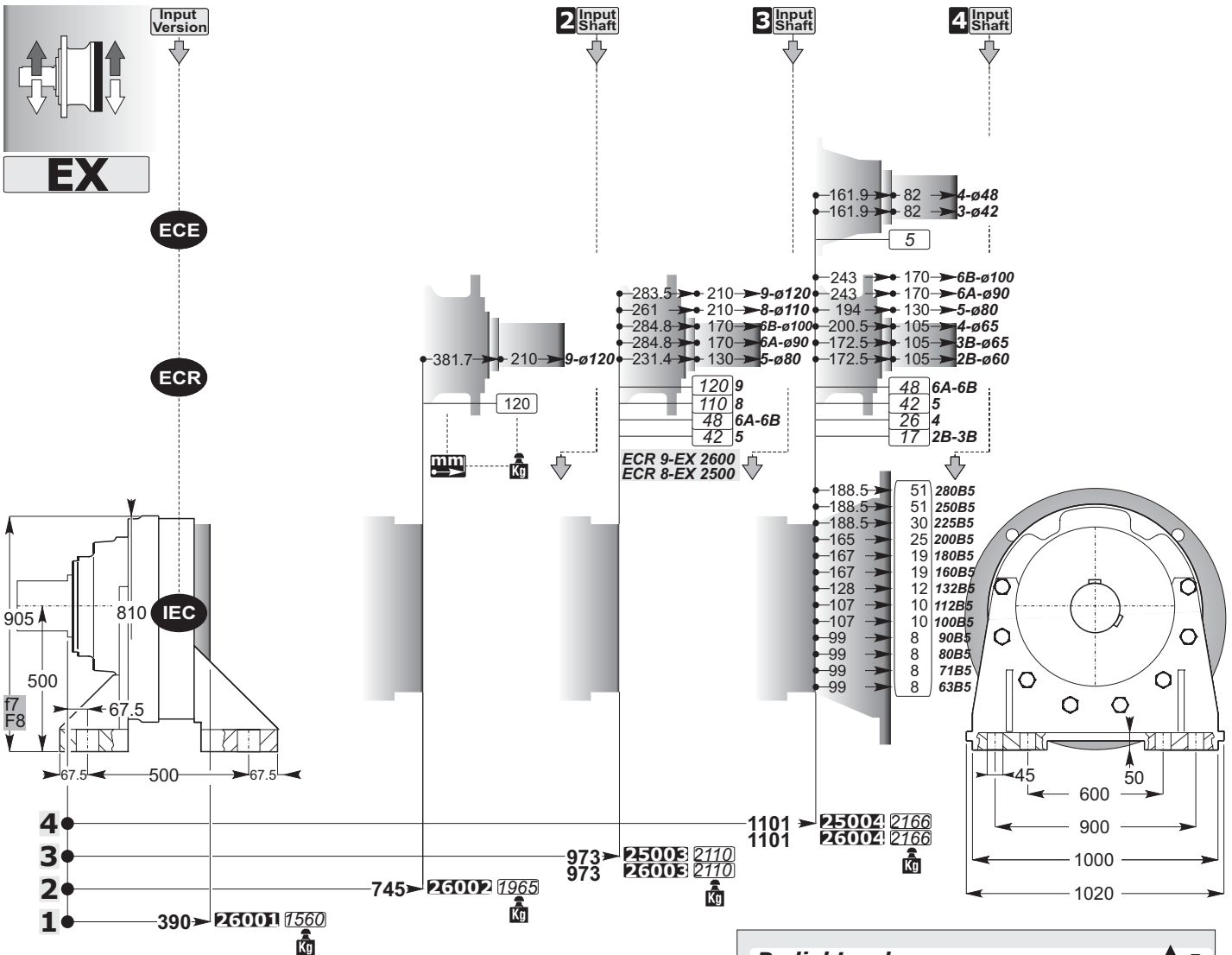
**FF**

**BD**

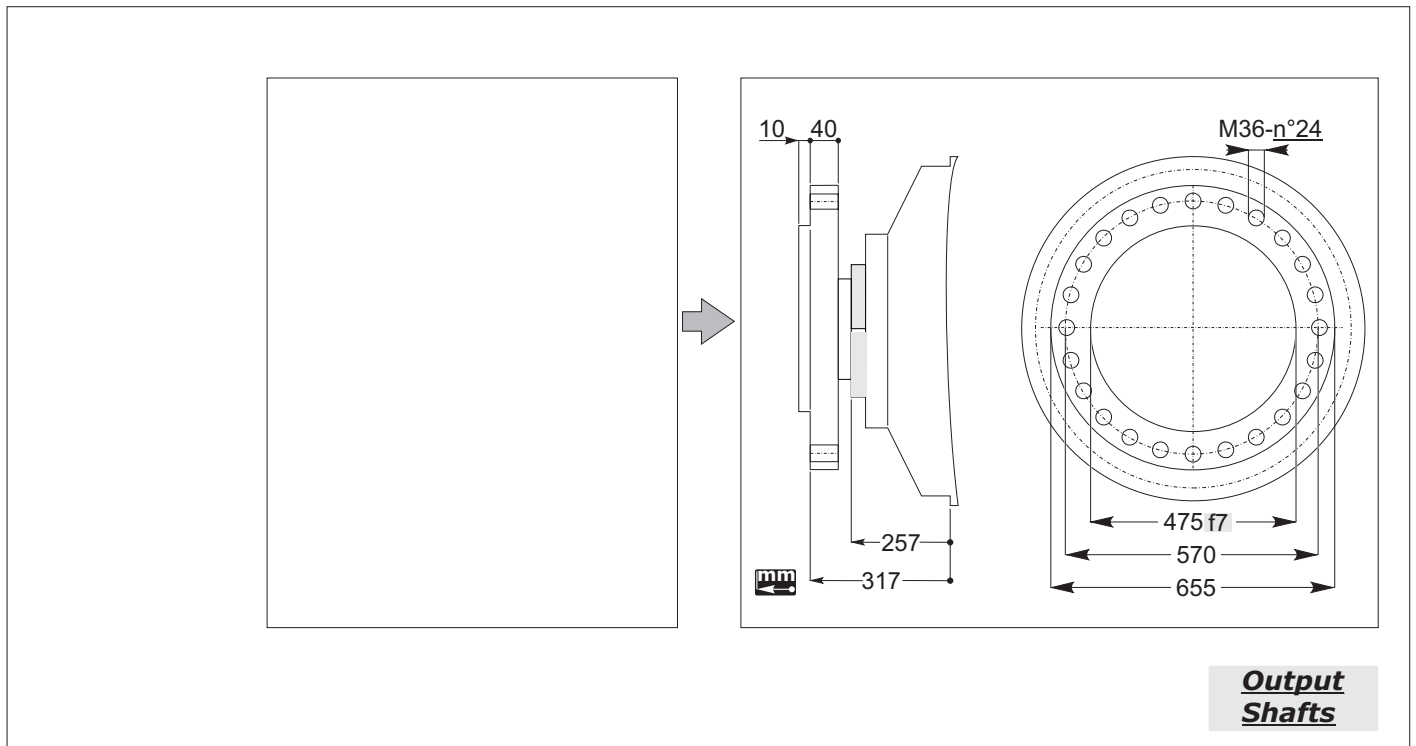
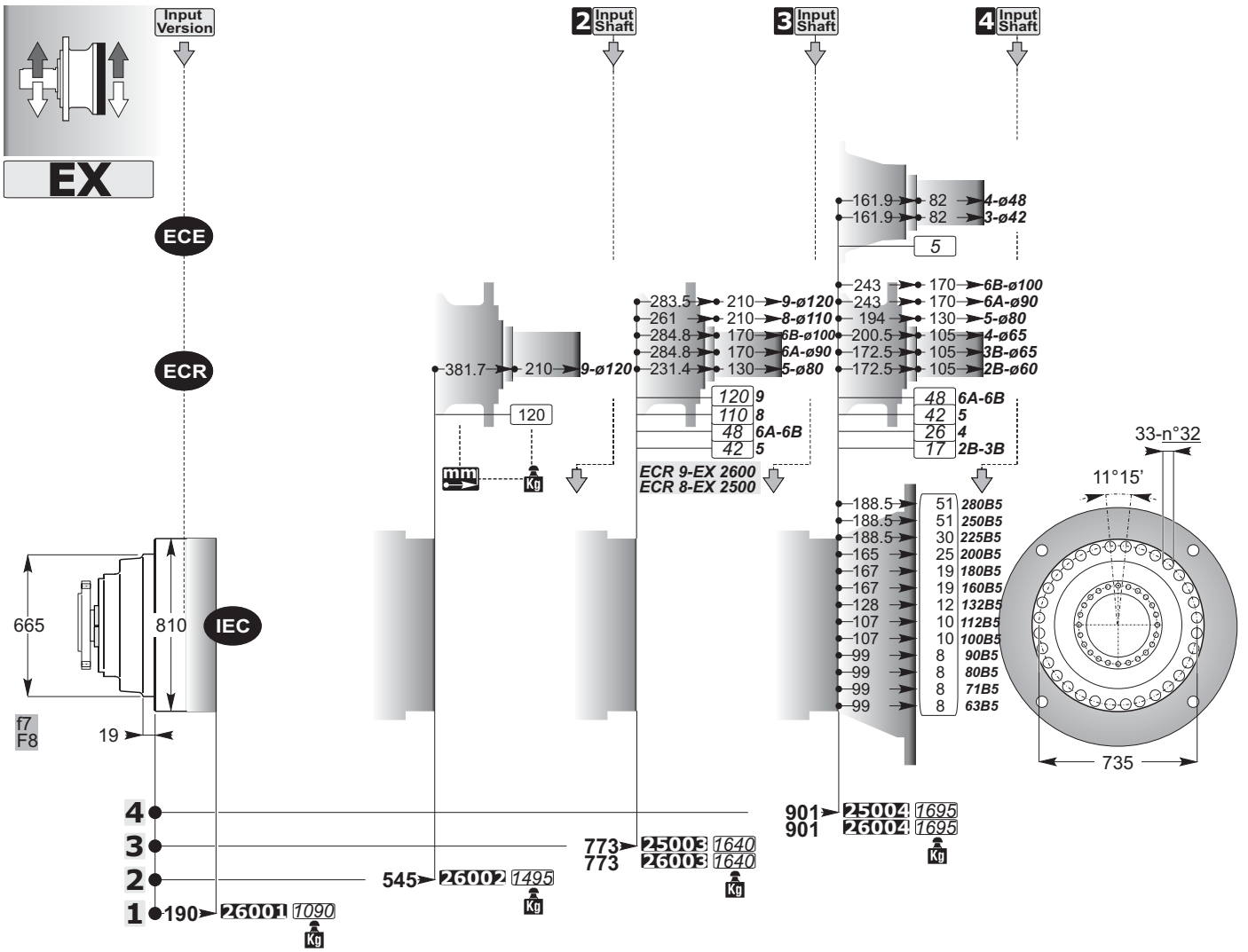
Accessories

mm

C







**ECE**

4 Input Shaft →

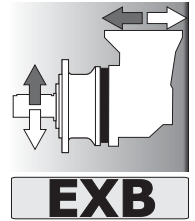
ECE 3 4

Input Version

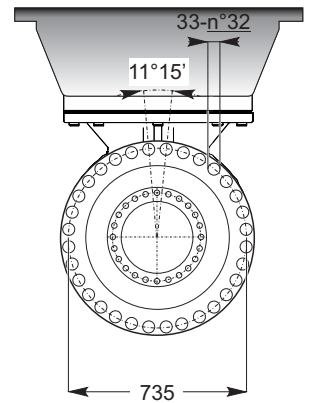
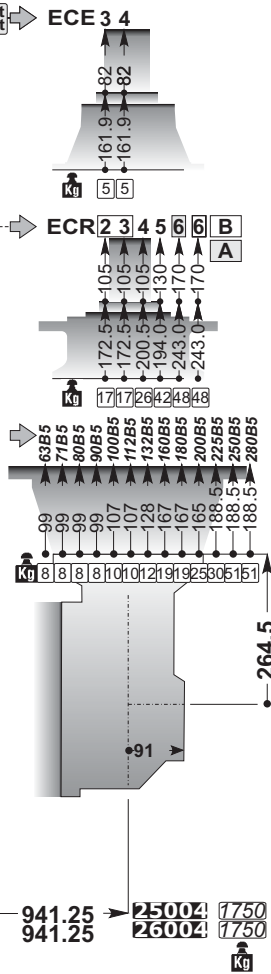
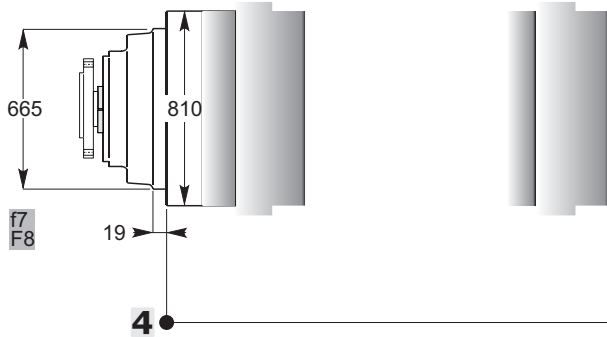
**ECR**

→ ECR 2 3 4 5 6 6 B A

**IEC**

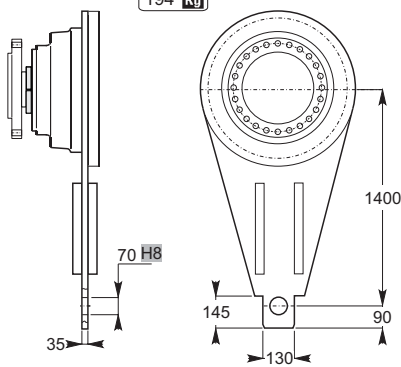


**EXB**



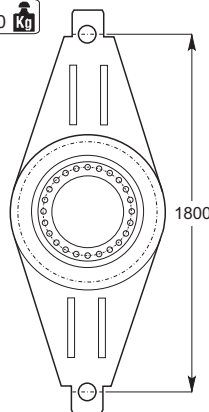
**BRS**

194 Kg



**BRD**

160 Kg



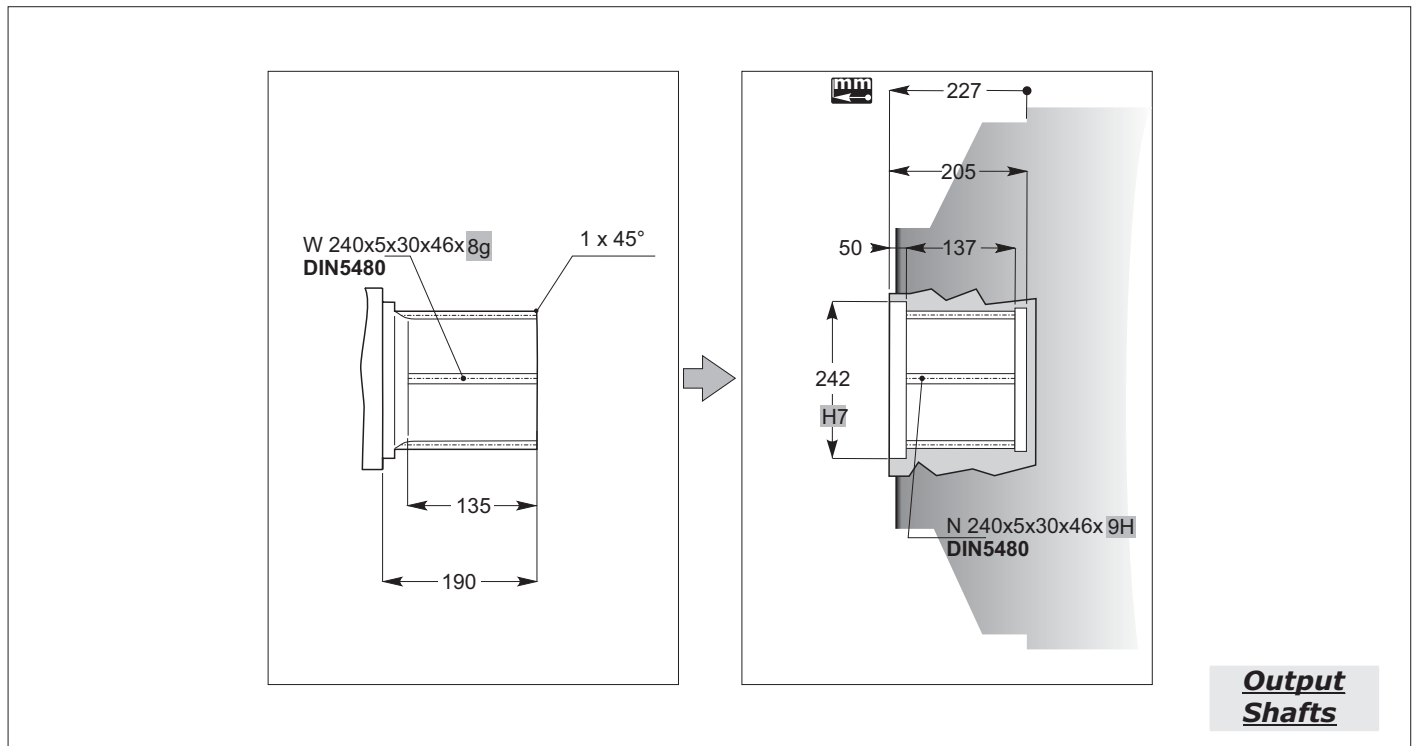
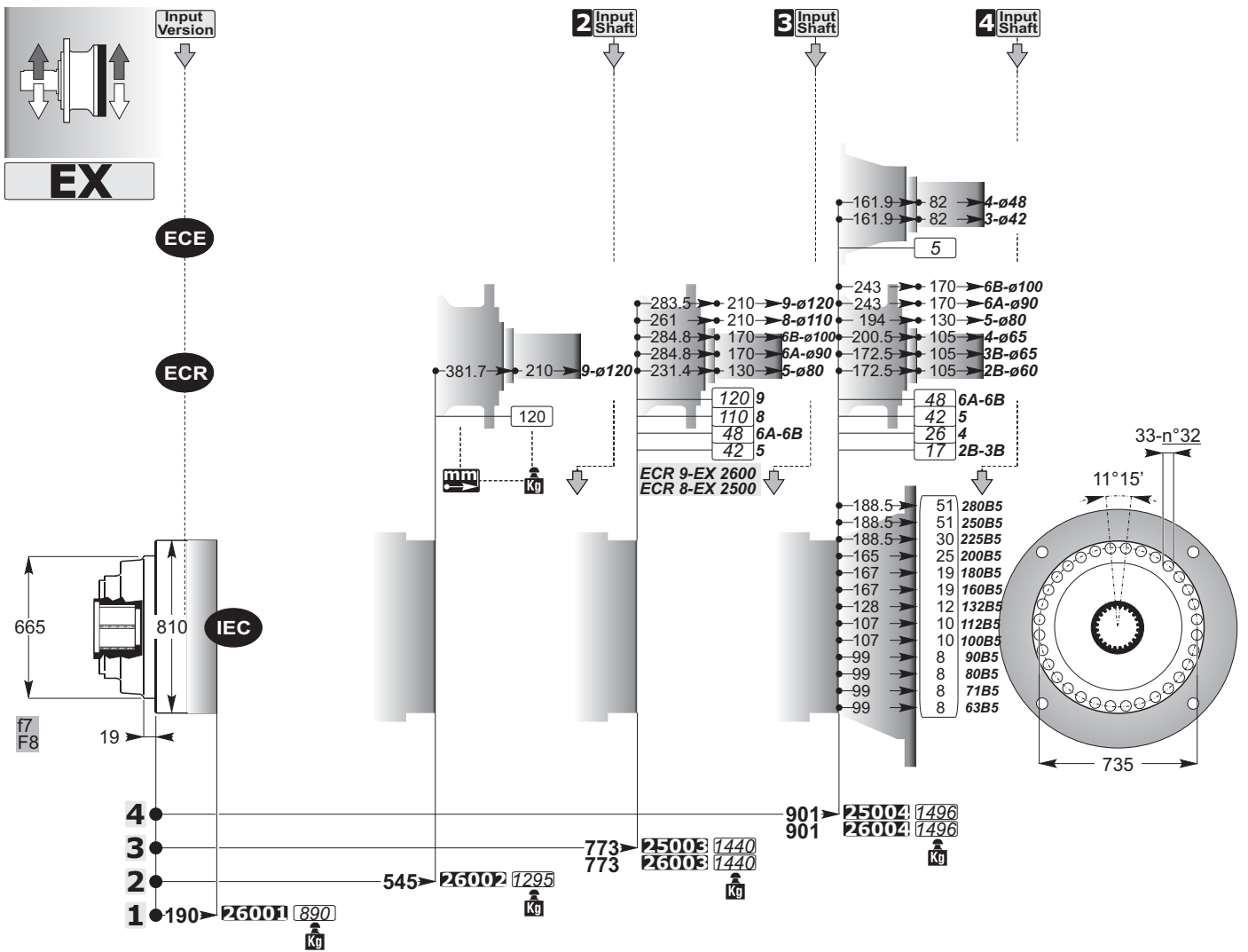
mm

**C**

**BRD**

**BRS**

**Accessories**



**ECE**

4 Input Shaft

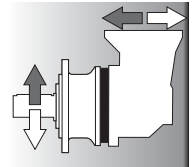
ECE 3 4

Input Version

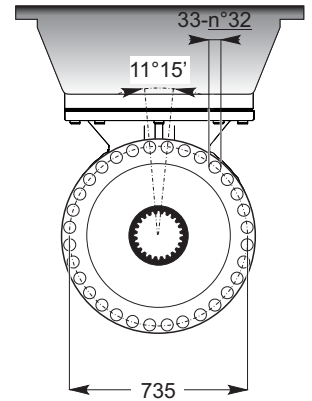
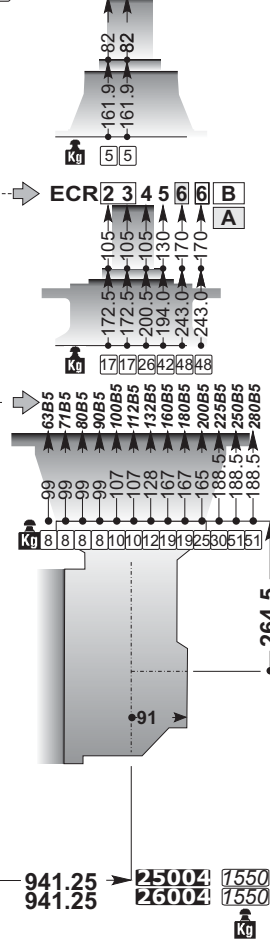
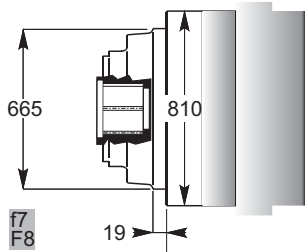
**ECR**

ECR 2 3 4 5 6 6 B A

**IEC**

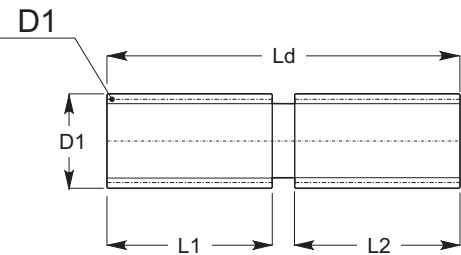


**EXB**



4 → 941.25 → **25004** 1550  
 941.25 → **26004** 1550

**SD**



On request

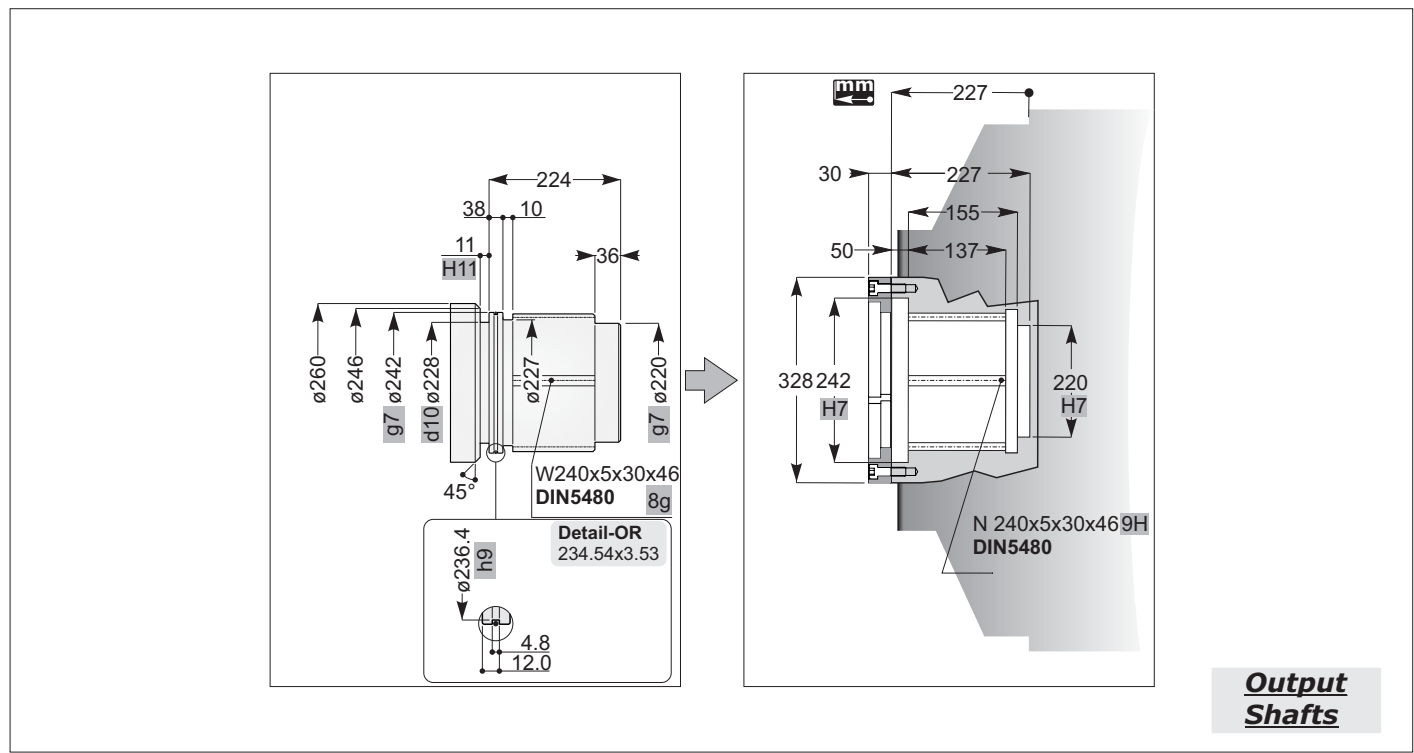
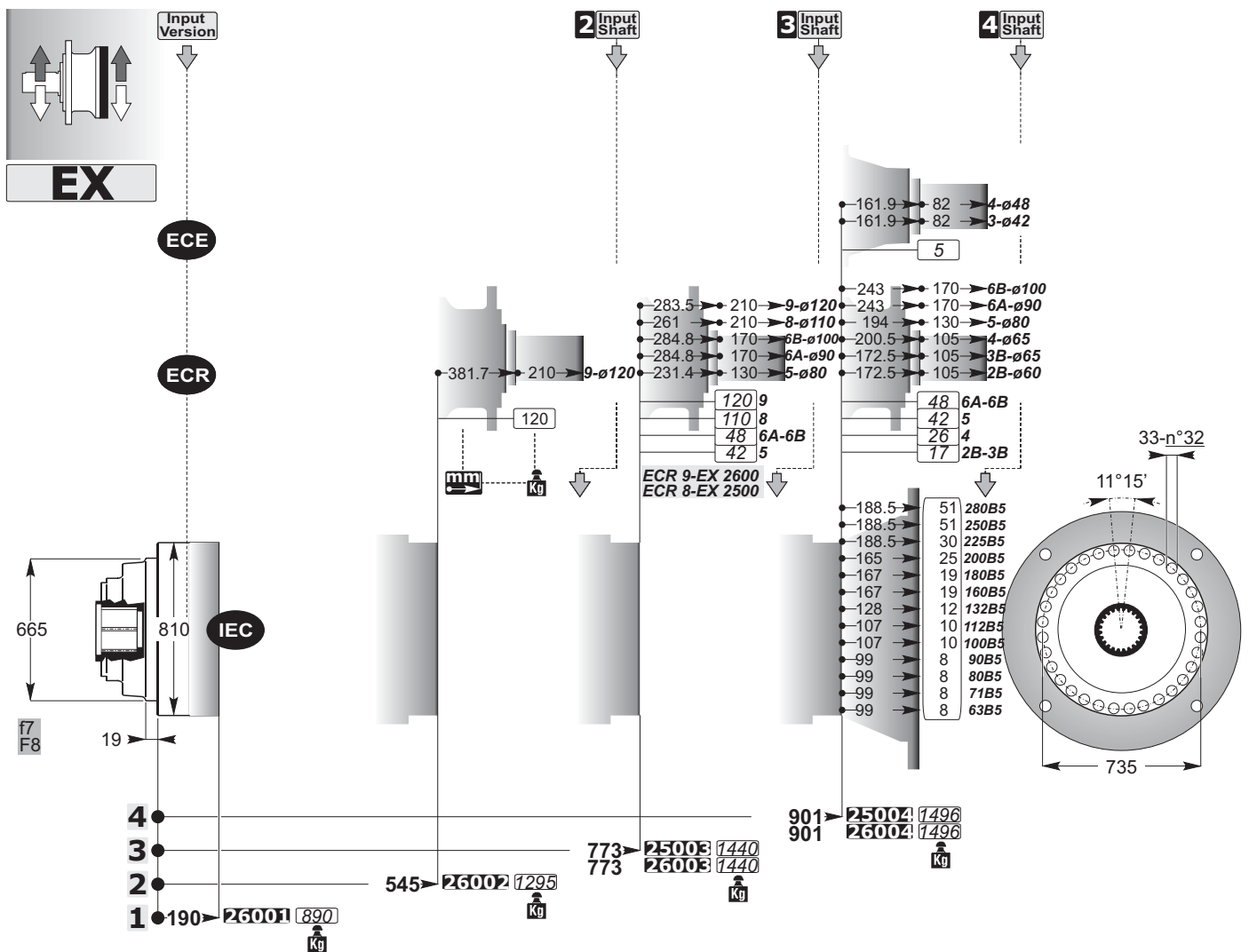
**SD**



**Accessories**

mm  
**C**





**ECE**

4 Input Shaft →

ECE 3 4

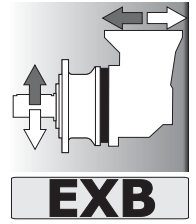
Input Version

**ECR**

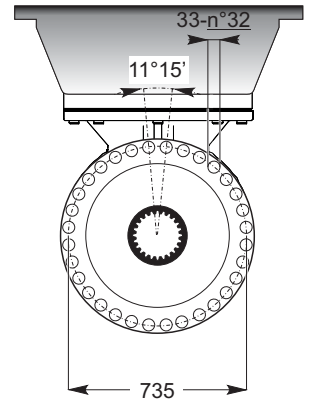
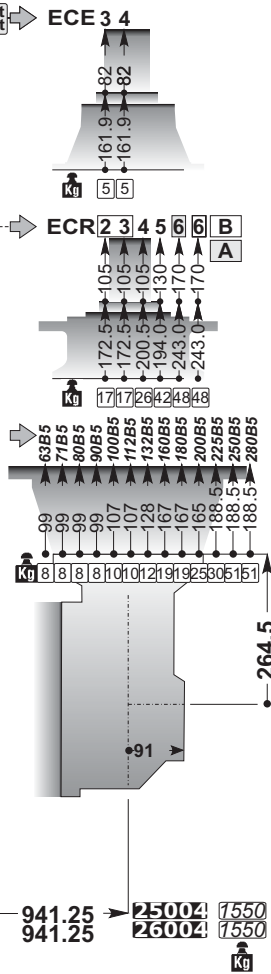
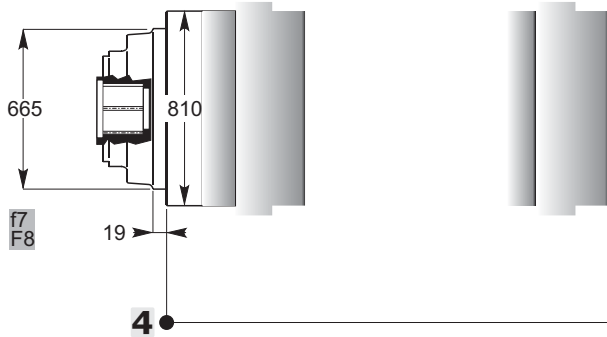
→ ECR 2 3 4 5 6 6 B A

**IEC**

→

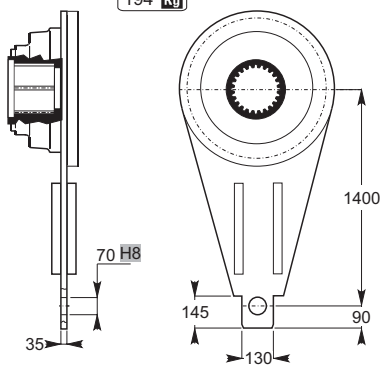


**EXB**



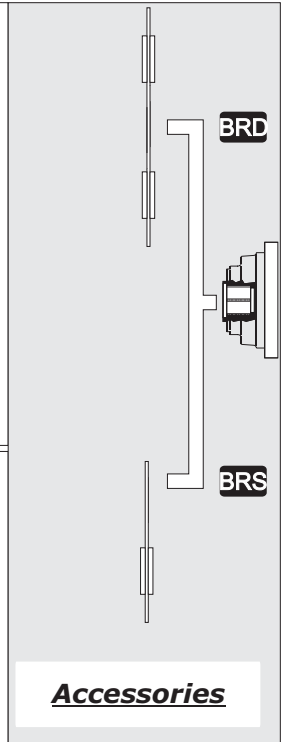
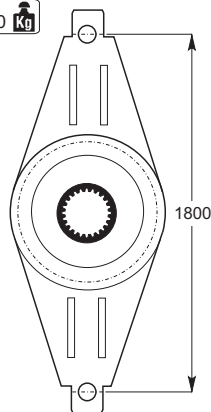
**BRS**

194 Kg



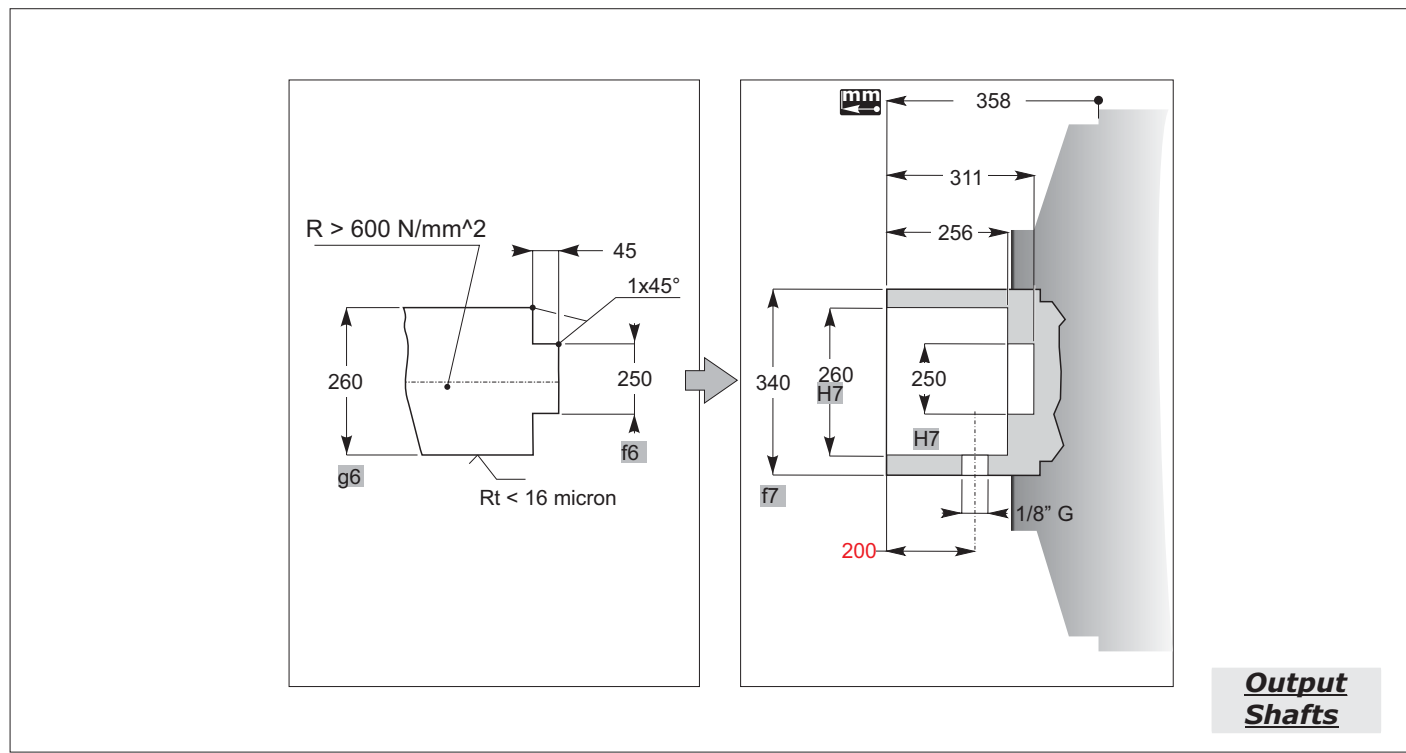
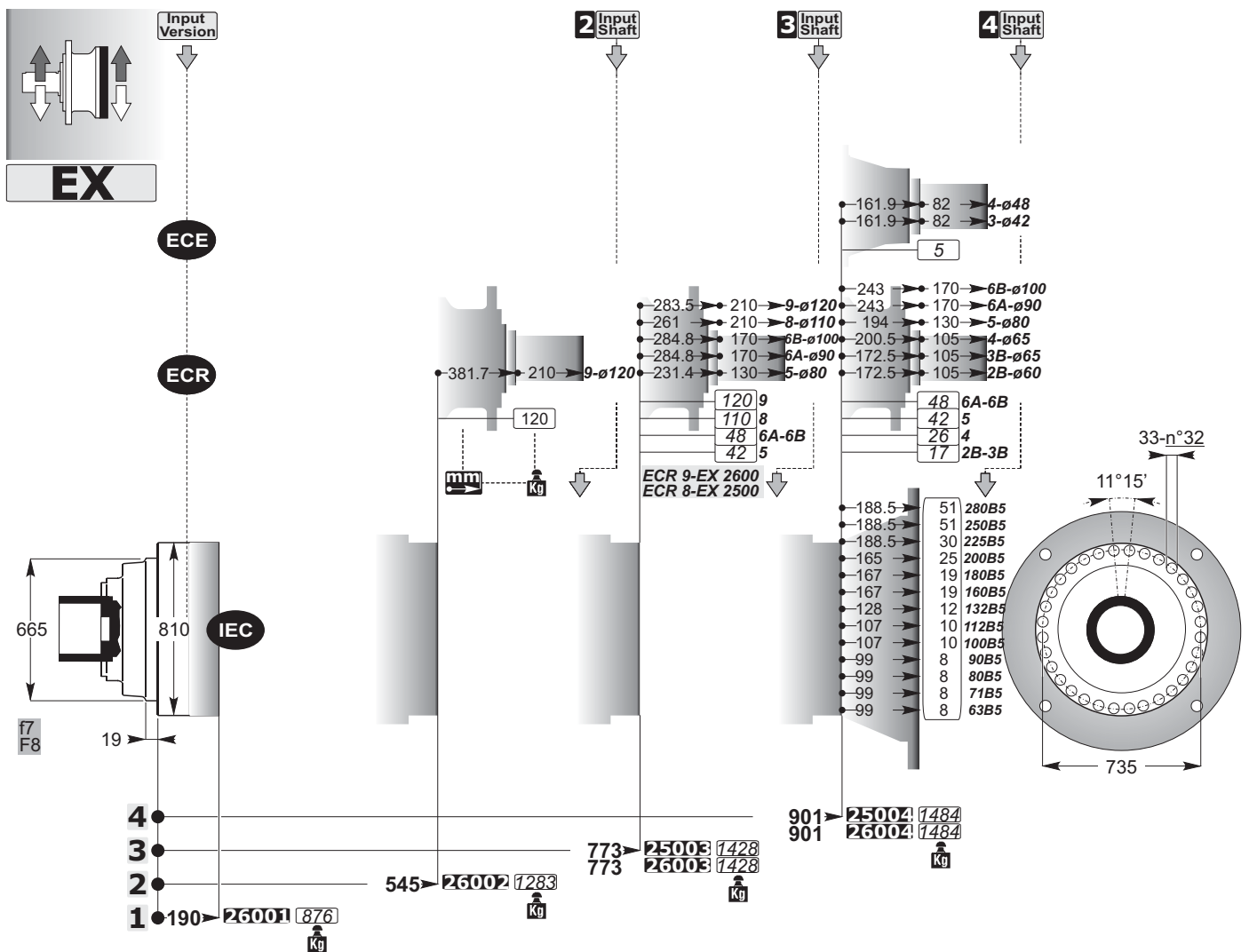
**BRD**

160 Kg



**Accessories**

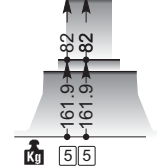
mm  
**C**



**ECE**

4 Input Shaft →

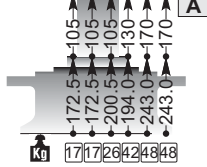
ECE 3 4



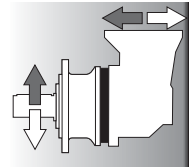
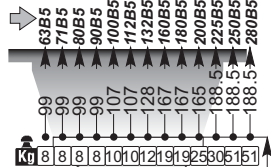
Input Version

**ECR**

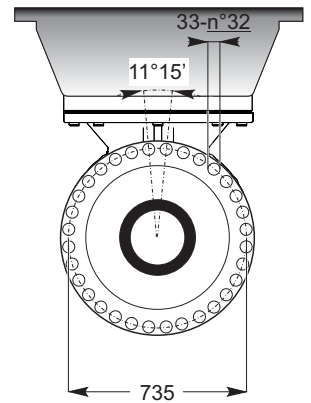
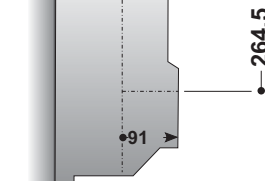
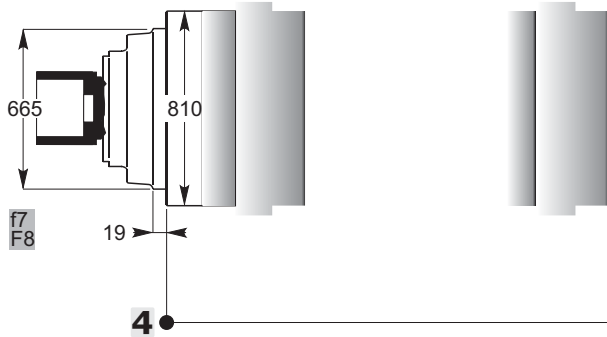
→ ECR 2 3 4 5 6 6 B A



**IEC**



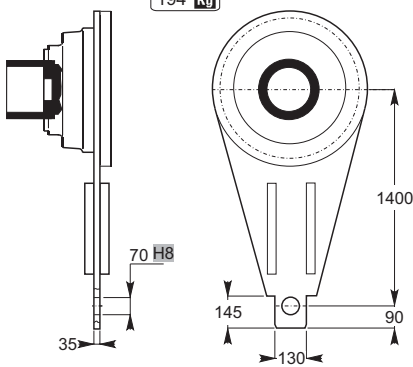
**EXB**



941.25	→ 25004	1536
941.25	26004	1536
		kg

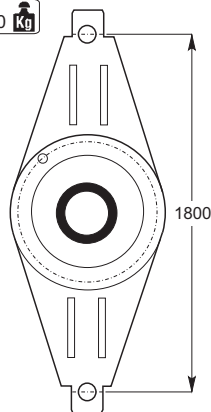
**BRS**

194 kg



**BRD**

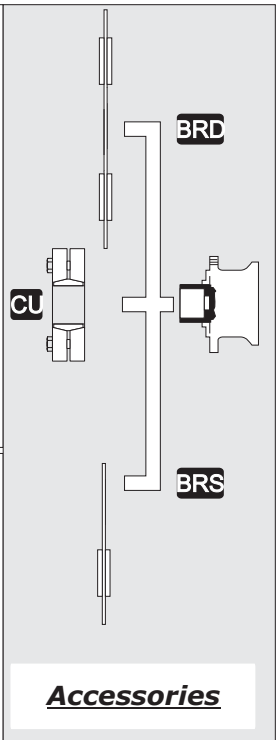
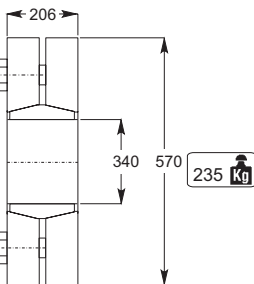
160 kg



**CU**

Ms 1250 Nm

M27 10.9



**Accessories**

mm  
**C**